

PBX3216DA01 Specification

Operating Temp. : -40°C~+85°C

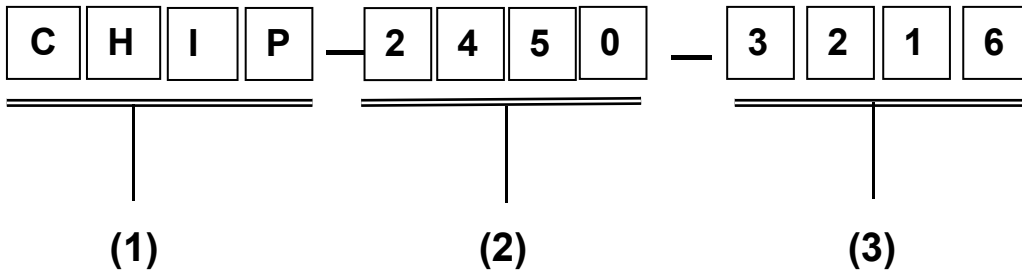
1. FEATURES:

- Light weight, compact
- Wide bandwidth, low cost
- Built-in antenna with high gain

2. APPLICATIONS:

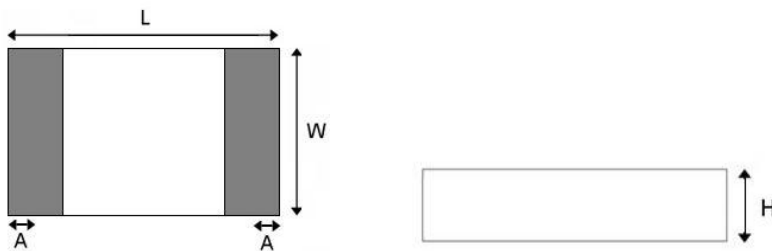
- Bluetooth, Wireless LAN, Mobile TV
- Home RF system, etc

3. PRODUCT IDENTIFICATION



- (1) Product type: Multilayer chip Antenna
 (2) Center Frequency: 2450MHz
 (3) External Dimensions (L×W) (mm): 3.2*1.6

4. SHAPE AND DIMENSIONS:

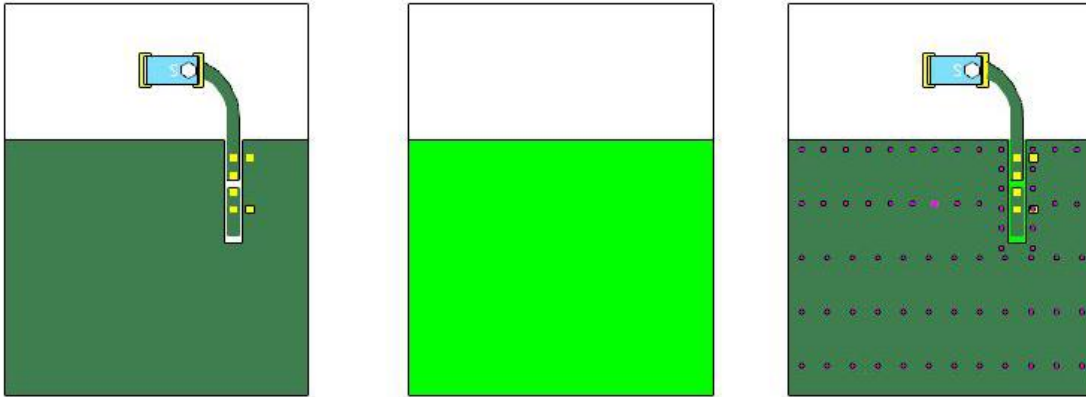


L	W	H	A
3.2±0.3	1.6±0.3	0.52±0.2	0.4±0.25

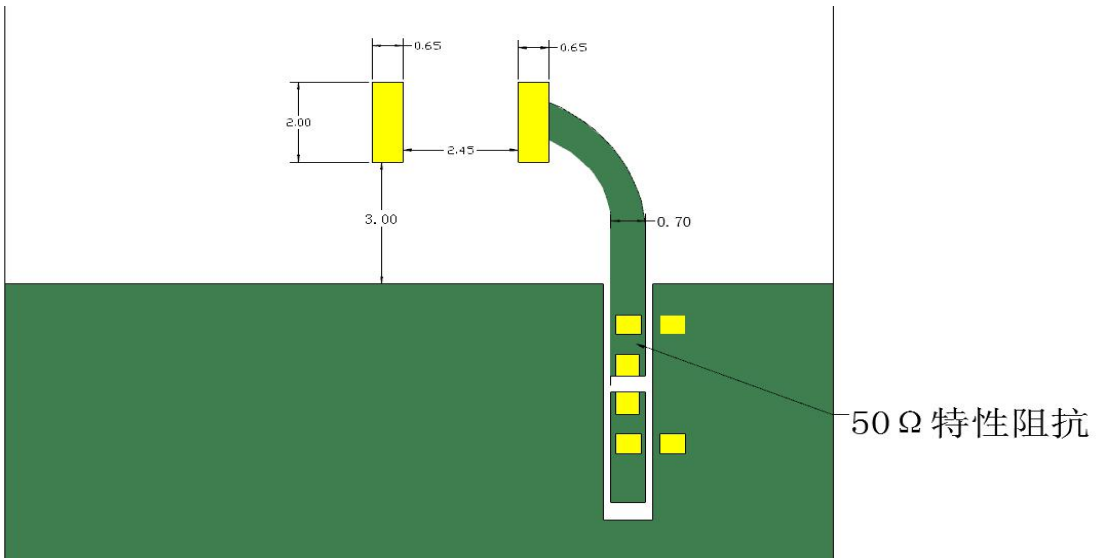
UNLESS OTHER SPECIFIED TOLERANCES ON: X=± X.X=± X.XX= ANGLES = ± HOLE DIA = ±		Shenzhen Baotaiwei Digital Co., Ltd. B1905, Yuanfen Jinyuan Building, No. 2, Middle Section of Longfeng 3rd Road, Yuanfen Village, Gaofeng Community, Dalang Street, Longhua District, Shenzhen, China		
SCALE: N/A	UNIT: mm	THIS DRAWINGS AND SPECIFICATIONS ARE THE PROPERTY OF BTW DIGITAL AND SHALL NOT BE REPRODUCED OR USED AS THE BASIS FOR THE MANUFACTURE OR SALE OF APPARATUS OR DEVICES WITHOUT PERMISSION		
DRAWN BY : Sera	CHECKED BY: XD			
DESIGNED BY: Sera	APPROVED BY: XD			
TITLE: CHIP2450-21 Specification		DOCUMENT NO.	3216	SPEC REV. P1

测试板参考尺寸:

单位: mm

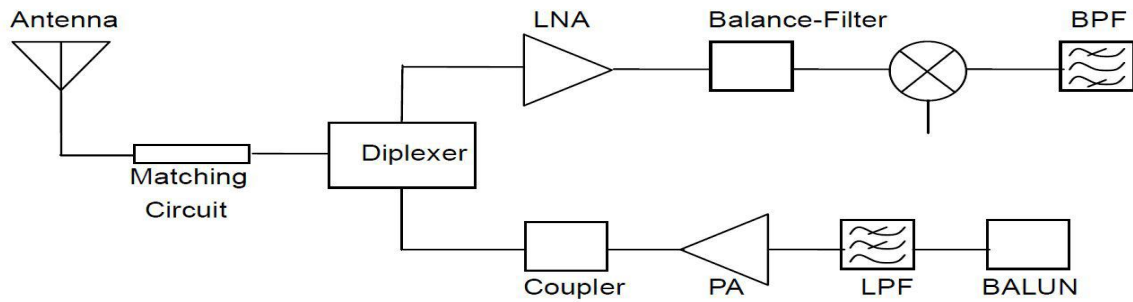


-  CHIP2450-3216-SRF07
-  顶层铺铜
-  焊盘
-  底层铺铜
-  打孔



UNLESS OTHER SPECIFIED TOLERANCES ON: X=± X.X=± X.XX=		Shenzhen Baotaiwei Digital Co., Ltd. B1905, Yuanfen Jinyuan Building, No. 2, Middle Section of Longfeng 3rd Road, Yuanfen Village, Gaofeng Community, Dalang Street, Longhua District, Shenzhen, China		
ANGLES = ± HOLEDIA = ±				
SCALE: N/A	UNIT: mm	THIS DRAWINGS AND SPECIFICATIONS ARE THE PROPERTY OF BTW DIGITAL AND SHALL NOT BE REPRODUCED OR USED AS THE BASIS FOR THE MANUFACTURE OR SALE OF APPARATUS OR DEVICES WITHOUT PERMISSION		
DRAWN BY : Sera	CHECKED BY: XD			
DESIGNED BY: Sera	APPROVED BY: XD			
TITLE: CHIP2450-21 Specification		DOCUMENT NO.	3216	SPEC REV. P1

APPLICATION GUIDE



5. SPECIFICATIONS:

No.	Product number	PBX3216DA01	
1	Central Frequency	2440	MHz
2	Bandwidth	100 (Min.)	MHz
3	Return Loss	-11.96 (Max.)	dB
4	Peak Gain	2.7	dBi
5	Impedance	50	Ω
6	Operating Temperature	-40~+85	$^{\circ}\text{C}$
7	Maximum Power	5	W
8	Resistance to soldering heat	10 (@260 $^{\circ}\text{C}$)	Sec.
9	Polarization	Linear	
10	Azimuth Beam width	Omni-directional	
11	Termination	Sn (leadless)	

UNLESS OTHER SPECIFIED TOLERANCES ON:

$X = \pm$ $X.X = \pm$ $X.XX =$
ANGLES = \pm **HOLE DIA** = \pm

Shenzhen Baotaiwei Digital Co., Ltd.

B1905, Yuanfen Jinyuan Building, No. 2, Middle Section of Longfeng 3rd Road, Yuanfen Village, Gaofeng Community, Dalang Street, Longhua District, Shenzhen, China

SCALE: N/A	UNIT: mm
DRAWN BY: Sera	CHECKED BY: XD
DESIGNED BY: Sera	APPROVED BY: XD

THIS DRAWINGS AND SPECIFICATIONS ARE THE PROPERTY OF BTW DIGITAL AND SHALL NOT BE REPRODUCED OR USED AS THE BASIS FOR THE MANUFACTURE OR SALE OF APPARATUS OR DEVICES WITHOUT PERMISSION

TITLE: CHIP2450-21 Specification	DOCUMENT NO.	3216	SPEC REV.
			P1

6. Electrical Characteristics :



Frequency (MHz)	2400	2450	2500
Avg. Gain (dBi)	-1.83	-1.86	-2.97
Peck Gain (dBi)	2.7	2.58	1.34
Efficiency (%)	65.5	65.22	50.45

UNLESS OTHER SPECIFIED TOLERANCES ON:

X=± X.X=± X.XX=±
 ANGLES = ± HOLEDIA = ±

SCALE: N/A	UNIT: mm
DRAWN BY : Sera	CHECKED BY: XD
DESIGNED BY: Sera	APPROVED BY: XD

TITLE: CHIP2450-21 Specification

Shenzhen Baotaiwei Digital Co., Ltd.

B1905, Yuanfen Jinyuan Building, No. 2, Middle Section of Longfeng 3rd Road, Yuanfen Village, Gaofeng Community, Dalang Street, Longhua District, Shenzhen, China

THIS DRAWINGS AND SPECIFICATIONS ARE THE PROPERTY OF BTW DIGITAL AND SHALL NOT BE REPRODUCED OR USED AS THE BASIS FOR THE MANUFACTURE OR SALE OF APPARATUS OR DEVICES WITHOUT PERMISSION

DOCUMENT NO.

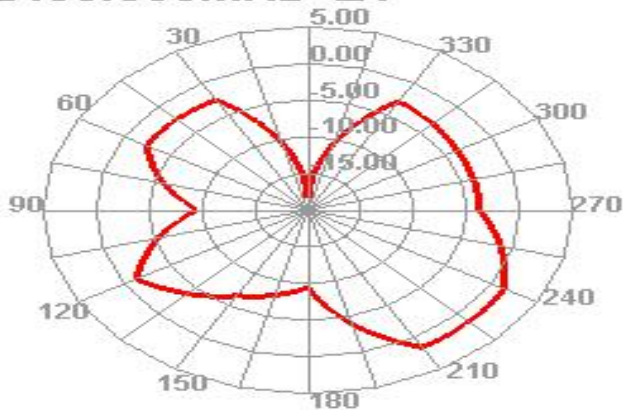
3216

SPEC REV.

P1

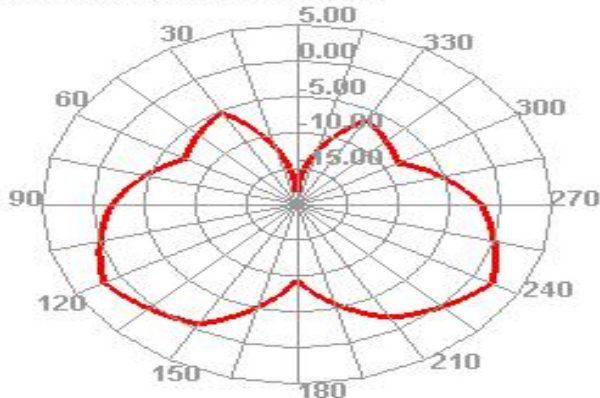
X-Y Plane

2450.000MHz E1



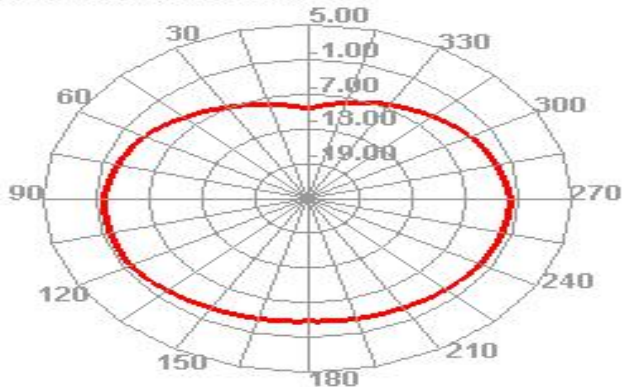
X-Y Plane

2450.000MHz E2



X-Y Plane

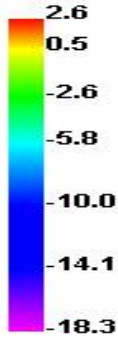
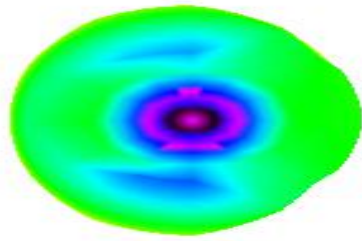
2450.000MHz H



UNLESS OTHER SPECIFIED TOLERANCES ON: X=± X.X=± X.XX= ANGLES = ± HOLEDIA = ±		Shenzhen Baotaiwei Digital Co., Ltd. <small>B1905, Yuanfen Jinyuan Building, No. 2, Middle Section of Longfeng 3rd Road, Yuanfen Village, Gaofeng Community, Dalang Street, Longhua District, Shenzhen, China</small>		
SCALE: N/A	UNIT: mm	THIS DRAWINGS AND SPECIFICATIONS ARE THE PROPERTY OF BTW DIGITAL AND SHALL NOT BE REPRODUCED OR USED AS THE BASIS FOR THE MANUFACTURE OR SALE OF APPARATUS OR DEVICES WITHOUT PERMISSION		
DRAWN BY : Sera	CHECKED BY: XD			
DESIGNED BY: Sera	APPROVED BY: XD			
TITLE: CHIP2450-21 Specification		DOCUMENT NO.	3216	SPEC REV. P1

3D Radiation Pattern

2450.000MHz



UNLESS OTHER SPECIFIED TOLERANCES ON: X=± X.X=± X.XX= ANGLES = ± HOLEDIA = ±		Shenzhen Baotaiwei Digital Co., Ltd. <small>B1905, Yuanfen Jinyuan Building, No. 2, Middle Section of Longfeng 3rd Road, Yuanfen Village, Gaofeng Community, Dalang Street, Longhua District, Shenzhen, China</small>		
SCALE: N/A	UNIT: mm	THIS DRAWINGS AND SPECIFICATIONS ARE THE PROPERTY OF BTW DIGITAL AND SHALL NOT BE REPRODUCED OR USED AS THE BASIS FOR THE MANUFACTURE OR SALE OF APPARATUS OR DEVICES WITHOUT PERMISSION		
DRAWN BY : Sera	CHECKED BY: XD			
DESIGNED BY: Sera	APPROVED BY: XD			
TITLE: CHIP2450-21 Specification		DOCUMENT NO.	3216	SPEC REV. P1

7. Environmental Characteristics

(1) Reliability Test

Item	Condition	Specification
Thermal shock	1. 30±3 minutes at -40° C±5° C, 2. Convert to +105° C (5 minutes) 3. 30±3 minutes at +105° C±5° C, 4. Convert to -40° C (5 minutes) 5. Total 100 continuous cycles	No apparent damage Fulfill the electrical spec. after test.
Humidity resistance	1. Humidity: 85% R.H. 2. Temperature: 85±5° C 3. Time: 1000 hours.	No apparent damage Fulfill the electrical spec. after test.
High temperature resistance	1. Temperature: 150° C±5° C 2. Time: 1000 hours.	No apparent damage Fulfill the electrical spec. after test.
Low temperature resistance	1. Temperature: -40° C±5° C 2. Time: 1000 hours.	No apparent damage Fulfill the electrical spec. after test.
Soldering heat resistance	1. Solder bath temperature : 260±5° C 2. Bathing time: 10±1 seconds	No apparent damage
Solderability	The dipped surface of the terminal shall be at least 95% covered with solder after dipped in solder bath of 245±5° C for 3±1 seconds.	No apparent damage

(2) Storage Condition

(a) At warehouse:

The temperature should be within 0 ~ 30°C and humidity should be less than 60% RH.

The product should be used within 1 year from the time of delivery.

(b) On board:

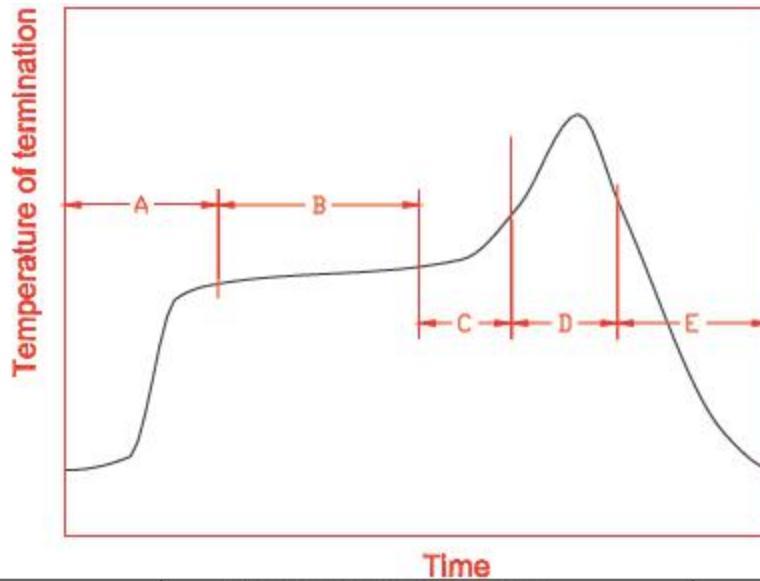
The temperature should be within -40~85°C and humidity should be less than 85% RH.

(3) Operating Temperature Range

Operating temperature range : -40°C to +105°C.

UNLESS OTHER SPECIFIED TOLERANCES ON: X=± X.X=± X.XX= ANGLES = ± HOLEDIA = ±		Shenzhen Baotaiwei Digital Co., Ltd. B1905, Yuanfen Jinyuan Building, No. 2, Middle Section of Longfeng 3rd Road, Yuanfen Village, Gaofeng Community, Dalang Street, Longhua District, Shenzhen, China		
SCALE: N/A	UNIT: mm	THIS DRAWINGS AND SPECIFICATIONS ARE THE PROPERTY OF BTW DIGITAL AND SHALL NOT BE REPRODUCED OR USED AS THE BASIS FOR THE MANUFACTURE OR SALE OF APPARATUS OR DEVICES WITHOUT PERMISSION		
DRAWN BY : Sera	CHECKED BY: XD			
DESIGNED BY: Sera	APPROVED BY: XD			
TITLE: CHIP2450-21 Specification		DOCUMENT NO.	3216	SPEC REV. P1

8. Recommended Reflow Soldering



A	1 st rising temperature	The normal to Preheating temperature	30s to 60s
B	Preheating	140°C to 160°C	60s to 120s
C	2 nd rising temperature	Preheating to 200°C	20s to 40s
D	Main heating	if 220°C	50s~60s
		if 230°C	40s~50s
		if 240°C	30s~40s
		if 250°C	20s~40s
		if 260°C	20s~40s
E	Regular cooling	200°C to 100°C	1°C/s ~ 4°C/s

*reference: J-STD-020C

(1) Soldering Gun Procedure

Note the follows, in case of using solder gun for replacement.

- (a) The tip temperature must be less than 350° C for the period within 3 seconds by using soldering gun under 30 W.
- (b) The soldering gun tip shall not touch this product directly.

(2) Soldering Volume

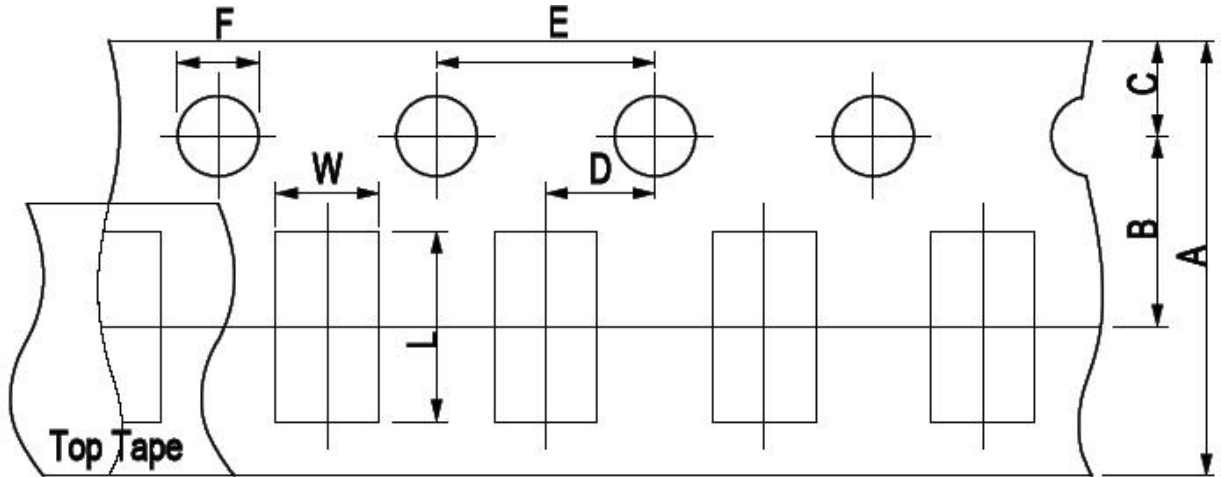
UNLESS OTHER SPECIFIED TOLERANCES ON: X=± X.X=± X.XX= ANGLES = ± HOLEDIA = ±		Shenzhen Baotaiwei Digital Co., Ltd. <small>B1905, Yuanfen Jinyuan Building, No. 2, Middle Section of Longfeng 3rd Road, Yuanfen Village, Gaofeng Community, Dalang Street, Longhua District, Shenzhen, China</small>		
SCALE: N/A	UNIT: mm	THIS DRAWINGS AND SPECIFICATIONS ARE THE PROPERTY OF BTW DIGITAL AND SHALL NOT BE REPRODUCED OR USED AS THE BASIS FOR THE MANUFACTURE OR SALE OF APPARATUS OR DEVICES WITHOUT PERMISSION		
DRAWN BY : Sera	CHECKED BY: XD			
DESIGNED BY: Sera	APPROVED BY: XD			
TITLE: CHIP2450-21 Specification		DOCUMENT NO.	3216	SPEC REV. P1

Note that excess of soldering volume will easily get crack the body of this product.

9. Taping Package and Label Marking: (unit: mm)

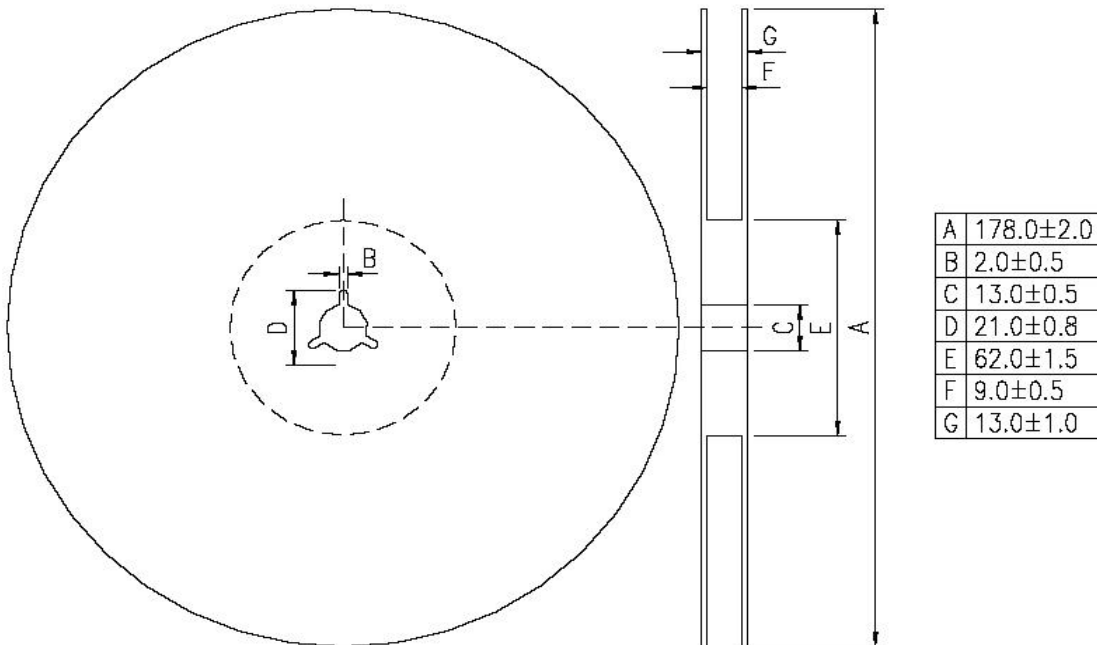
(1) Quantity/Reel: 5000pcs/Reel

(2) Carrier tape dimensions



Type	A	B	C	D	E	F	L	W
2450-21	8.00±0.3	3.50±0.05	1.75±0.1	2.00±0.05	4.00±0.1	1.50±0.1	2.30±0.1	1.55±0.1

(3) Taping reel dimensions



UNLESS OTHER SPECIFIED TOLERANCES ON:

X=± X.X=± X.XX=
 ANGLES = ± HOLEDIA = ±

Shenzhen Baotaiwei Digital Co., Ltd.

B1905, Yuanfen Jinyuan Building, No. 2, Middle Section of Longfeng 3rd Road, Yuanfen Village, Gaofeng Community, Dalang Street, Longhua District, Shenzhen, China

SCALE: N/A	UNIT: mm
DRAWN BY : Sera	CHECKED BY: XD
DESIGNED BY: Sera	APPROVED BY: XD

THIS DRAWINGS AND SPECIFICATIONS ARE THE PROPERTY OF BTW DIGITAL AND SHALL NOT BE REPRODUCED OR USED AS THE BASIS FOR THE MANUFACTURE OR SALE OF APPARATUS OR DEVICES WITHOUT PERMISSION

TITLE: CHIP2450-21 Specification

DOCUMENT NO.

3216

SPEC REV.

P1