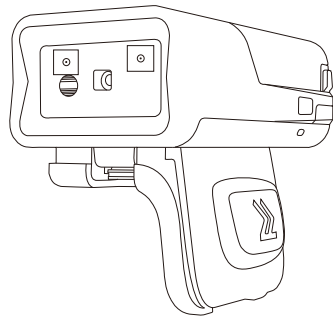
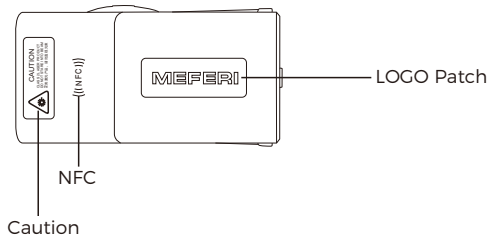
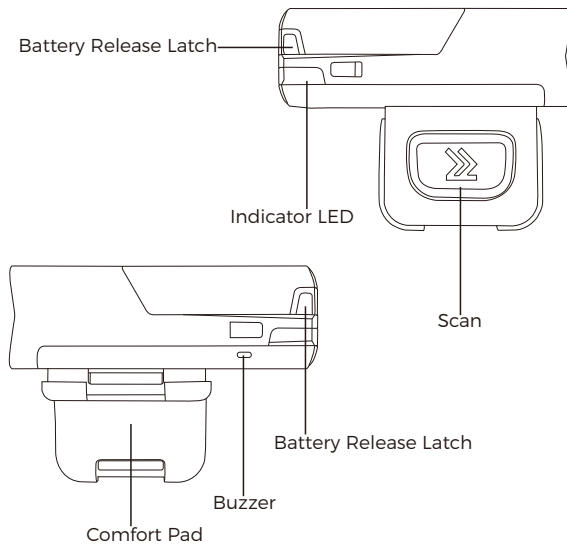
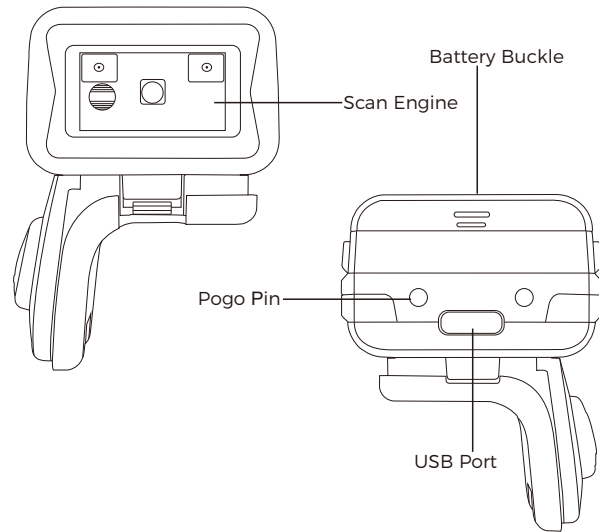


MEFERI

MS300R Quick Start Guide



Overview

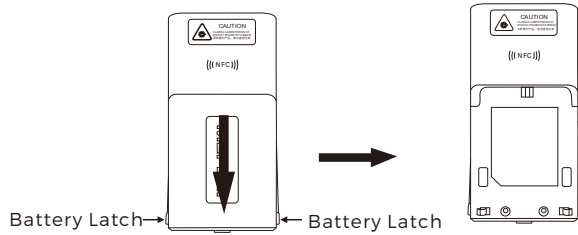


Package Contents

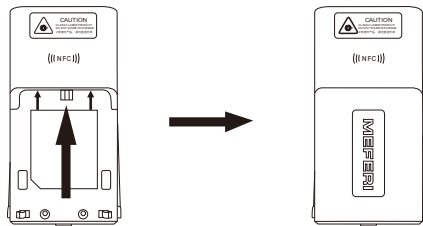
- Device x1
- Power Adapter x1
- USB Cable x1
- Battery x1
- Wearable strap x2
- Quick start guide x1

Battery Instruction

1. Battery replacement
 - a) Remove battery: press the battery release latches on both sides simultaneously: and pull the battery out (as shown)

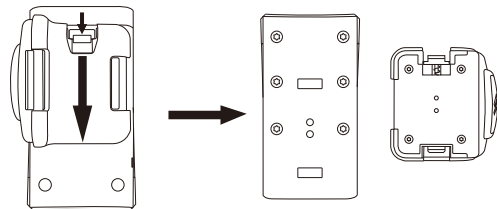


b) Battery Installation: Install the battery in the direction as shown.

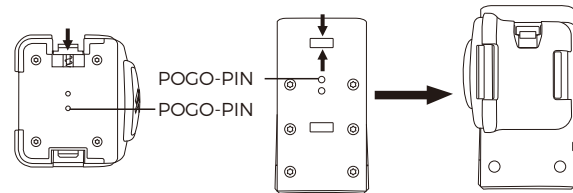


2. Ring Scanner Instruction

a) Ring scanner detachment: press the red button until you can release the scanner (as shown)



b) Scanner installation: press the red button until the 2 plugs insert into the respective slots and scanner POGOPIN aligns with device POGO-PIN, free switch for different habits.



3. Charging

a) Type-C USB data cable charging.

b) The battery can be charged separately with battery charger.

4. Indicator LED

Power On	Green Light up for 3s
Power Off	Red Light up for 3s
Low Battery	Red Blinking
Charging	Red Light up
Full Battery	Green Light up
Paired Scanning	Green Light up for 1s
Scanning Timeout	Red Light up for 1s
Successfully Paired	Blue Light up for 3s
Pairing Failed	Red/Green blinking for 3M
Disconnected	Red/Green blinking for 3M
NFC Identification	Light up for 1s

Precautions

1. Read all information in this guide before using the device to ensure safe and proper operation.
2. Please use the accessories that have been approved by MEFERI and corresponds to this model. Use of any power source, charger, battery, etc. that has not been approved by MEFERI may cause a fire, explosion, or other hazards.
3. Please use device and accessories within the specified temperature range. Equipment failure may occur when the ambient temperature is too high or too low.
4. Do not disassemble the product and its accessories. If the equipment or any of its components are not working properly, please contact and consult our after-sales service center, or send the device to our after-sales service outlets for testing and servicing.
5. If the battery shows signs of peculiar smell, overheat, color change, distortion or leakage remove the battery from the charger or the device immediately and stop using it.
6. The battery is made from a flammable and explosive material. Do not disassemble, squeeze, drop and make any other destructive operations on the battery. Do not place the battery in high temperatures.

Warranty Policy

Warranty Terms:

1. Under normal circumstances, the warranty period of the device is 12 months (3 months for accessories), subject to the sales agreement.
2. During the product warranty period, under the normal use conditions (determined by our technical staff), the user will be entitled to a free warranty for damaged or faulty warranty parts.
3. During the warranty period, faults caused by repair, disassembly or modification of the product by a personnel other than our company, improper installation, improper use by the user (failure to follow instructions), serial number damage, accident or natural disaster, will not be covered under the warranty.
4. The warranty will expire immediately if any alterations are made to the warranty card.
5. Please show the equipment SN and purchase certificate for repair. The company reserves the right to interpret the above contents.
6. If you have trouble using the device, please e-mail to meferi@meferi.com.

NB

This product complies with the radio interference requirements of the European Community.

Product name: Wearable Ring Scanner

Product model: MS300R

Manufacturer: Meferi Technologies Co.,Ltd.

Frequency Range: 2.4GHZ-2.48GHZ,

Max. Transmit Power: 4.44 dBm Max

SIMPLIFIED EU DECLARATION OF CONFORMITY

The simplified EU declaration of conformity referred to in Article 10(9) shall be provided as follows:

Hereby, Targus International LLC declares that radio equipment type H566A3T is in compliance with Directive 2014/53/EU, and this product is allowed to be used in all EU member states.

The full text of the EU declaration of conformity is available at following company website: www.meferi.com

This product can be used across EU member states.

EUT Operating temperature: -10~40°C

FCC STATEMENT

This device complies with Part 15 of the FCC Rules. Operation is subject

to the following two conditions:

- (1) This device may not cause harmful interference, and
- (2) This device must accept any interference received, including interference that may cause undesired operation. Warning: Changes or modifications not expressly approved by the party responsible for compliance could void the user's authority to operate the equipment.

NOTE: This equipment has been tested and found to comply with the limits for a Class B digital device, pursuant to Part 15 of the FCC Rules. These limits are designed to provide reasonable protection against harmful interference in a residential installation. This equipment generates uses and can radiate radio frequency energy and, if not installed and used in accordance with the instructions, may cause harmful interference to radio communications. However, there is no guarantee that interference will not occur in a particular installation. If this equipment does cause harmful interference to radio or television reception, which

can be determined by turning the equipment off and on, the user is encouraged to try to correct the interference by one or more of the following measures:

Reorient or relocate the receiving antenna.

Increase the separation between the equipment and receiver. Connect the equipment into an outlet on a circuit different from that to which the receiver is connected. Consult the dealer or an experienced radio/TV technician for help.

RF warning statement:

The device has been evaluated to meet general RF exposure requirement. The device can be used in portable exposure condition without restriction.