



# 规格承认书

## Approval Sheet

客户名称 麦孚瑞

(Customer Name)

产品名称 ME61-NFC 天线

(Specification)

客户料号 \_\_\_\_\_

(product model)

产品型号 Antenna ferrite two in one

(O/I)

送样日期 2023-08-30

(Date)

Frequency band	NFC (13.56MHz)		
Version	A		
RF	彭巍	Confirm	
Structural Engineer	杨学忠		
Customer confirmation			
Date			

# Catalogue

## 1. Marking

## 2. Electrical performance

### 2.1 Antenna Test

### 2.2 Antenna performance

## 3. Figure

### 3.1 S11 Test electrical performance

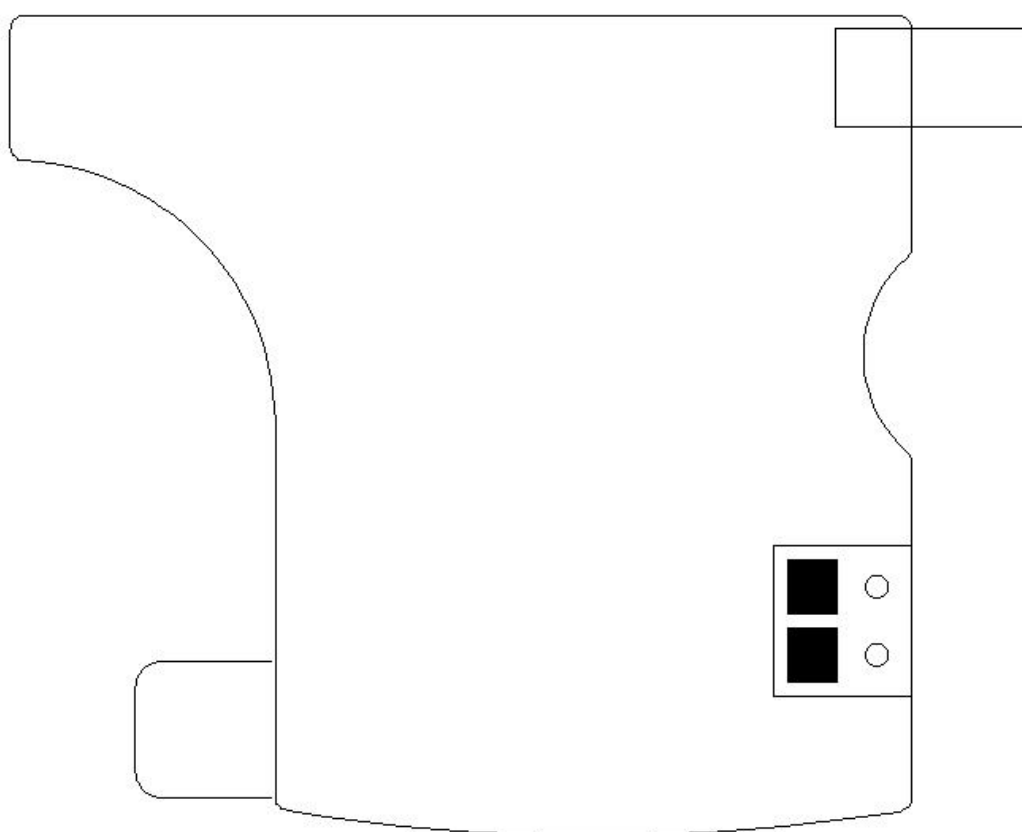
## 4. Real card performance test

## 5. Structural drawings

1. Marking:

This report summarizes the results of the electrical performance of NXP-553 and proposes internal antennas to support the ME61 nfc antenna project. This antenna is a component in the 13.56MHz frequency band:

(Picture)



NFC antenna+ferrite

## 2.Electrical performance

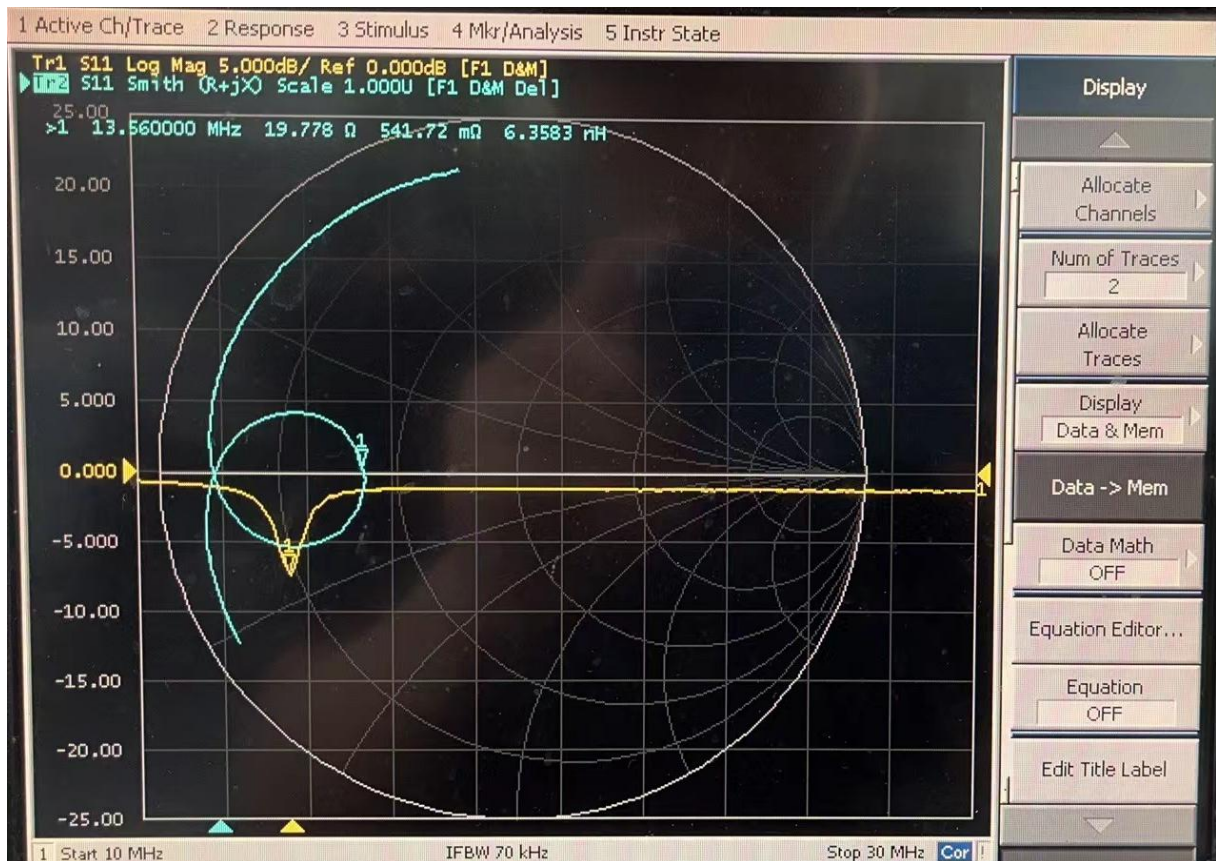
### 2.1 Antenna Test

Frequency	La	Rs	Rp	Fra	Q
13.56MHZ	1.0~2.0uH	<1 Ohm	>1.5k	>35M	>10

### 2.2Antenna performance

Actual testing was conducted using the ME61 complete machine installed antenna provided by the customer, mainly using distance sensing testing with a socket.

### 3.Figure

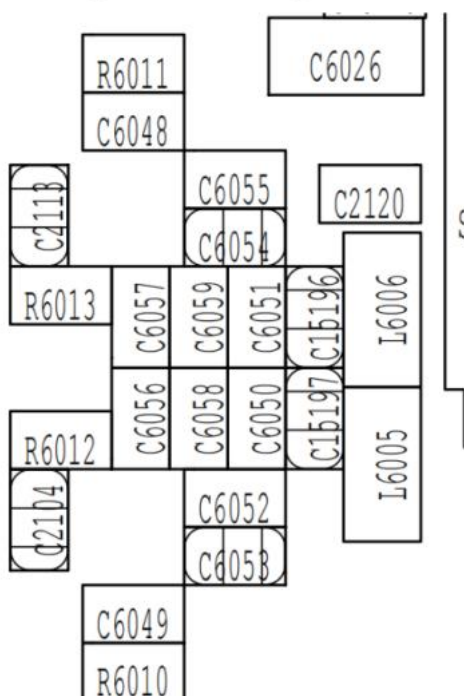


S11 Test electrical performance

4:Real card performance test

Test Card Category	Actual distance(mm)
Type 1	35-40
Type 2	40
Type 3	40
Type 4	15-20
Type 5	45-50

Change matching section:



Match bits	Original matching	Changing
C6050+C6051	180PF	330PF
C6052+C6055	20PF	68PF
C6058+C6059	68PF	220PF
C6056+C6057	33PF	100PF

5: Structural drawings

