

BIGASUO

Karaoke Machine

User Manual



MODEL:KA217

CATALOG

OPERATING INSTRUCTIONS.....	1
PRODUCT CONTENTS.....	2
SPEAKER DESCRIPTION.....	3
MICROPHONE DESCRIPTION.....	5
DETAILED USAGE GUIDE.....	6
PRODUCT ATTRIBUTES.....	8
FQA.....	9
FCC WARNING STATEMENT.....	11

Thank you for purchasing our products! This manual provides important information that will help you safely operate this karaoke machine.

Please read this user manual carefully before using this product. Thank you!

If you have any problem with the product, please don't hesitate to email us at:

us-karaoke-217@eitack.com

We will reply to you within 24 hours and give you the best solution.

OPERATING INSTRUCTIONS

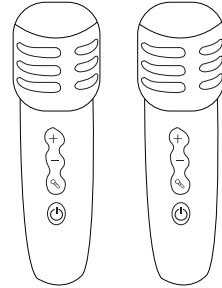
All the instructions should be read carefully before operation and follow the instructions.

- * The speaker should be situated away from heat sources such as radiators, and not exposed to moist air or water.
- * Place the machine in a stable place to prevent it from falling down.
- * Do not use the machine with attachments not approved by the manufacturer.
- * Check the machine for damage before each use. Please don't attempt to repair the machine if you are not professional.
- * Disconnect the power cable from the outlet and switch it off before cleaning the machine. Please only use a soft cloth, with no harsh abrasives or chemicals to clean, as they will damage the appearance.
- * The power cable of the speaker should be unplugged from the socket, and the power switch should be turned off when not in use for a long time.
- * Please don't leave the speaker and the microphones in a state of exhaustion for a long time, otherwise the battery will be seriously depleted.
- * Do not turn on the microphones while they are charging.
- * When the microphone is turned on, Do not point the microphone to the machine straightly to avoid howling.

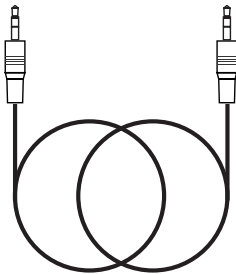
PRODUCT CONTENTS



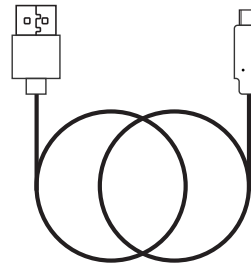
1 x Karaoke Machine



2 x Rechargeable
Wireless Microphones



1 x 3.5 mm AUX Cable



1 x Charging Cable for Karaoke
Machine and Microphones



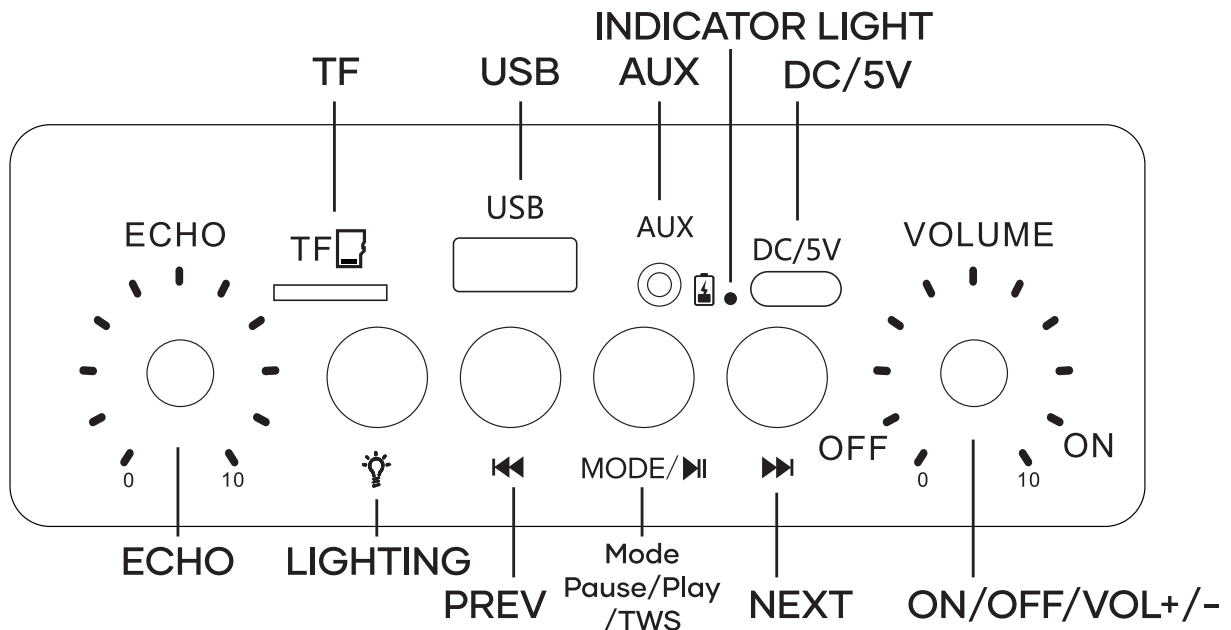
2 x Foam Microphone Cover



1 x User Manual

Note: Please check the product packaging carefully, if any accessories are missing, please contact the after-sales service personnel by email at us-karaoke-217@eitack.com

SPEAKER DESCRIPTION



ON/OFF/VOL+/-: Clockwise for Power on/increasing volume, counter clockwise for Power off/decreasing volume.

INDICATOR LIGHT: The blue light is always on or flashing to indicate that the speaker is on.

ECHO: Microphone reverberation adjustment button, clockwise to increase the reverberation volume, counterclockwise to decrease the reverberation volume.

◀◀: Short press to switch to the previous song

▶▶: Short press to switch to the next song

MODE/ ▶|| :

①. Short press to pause/play

②. When the two devices are the same, double-click for couplet (Tws), when you hear the prompt tone, the connection is successful.

③. Long press to play audio source switching mode (TF, USB.BT, AUX)

💡: Short press to change the lighting effect (4 light modes in total), long press to turn on/off the light, Double-click to disconnect the Bluetooth connection.

AUX: AUX audio input

TF  : The TF card slot is inserted into the automatic decoding switching mode to play music.

USB: Insert the USB flash drive to automatically decode and switch to playing music.


Note: You can also charge your phone or Pad using a USB charging cable through this USB port.

DC/5V: Charging port, DV 5V plugged in for charging.

Note:

1. The charging indicator light will be red when charging, and the indicator light will be off when it is fully charged.
2. When the speaker battery is low, it will make a didi sound and shut down.
3. Charge the machine for 30 minutes before normal use if the battery is completely drained.

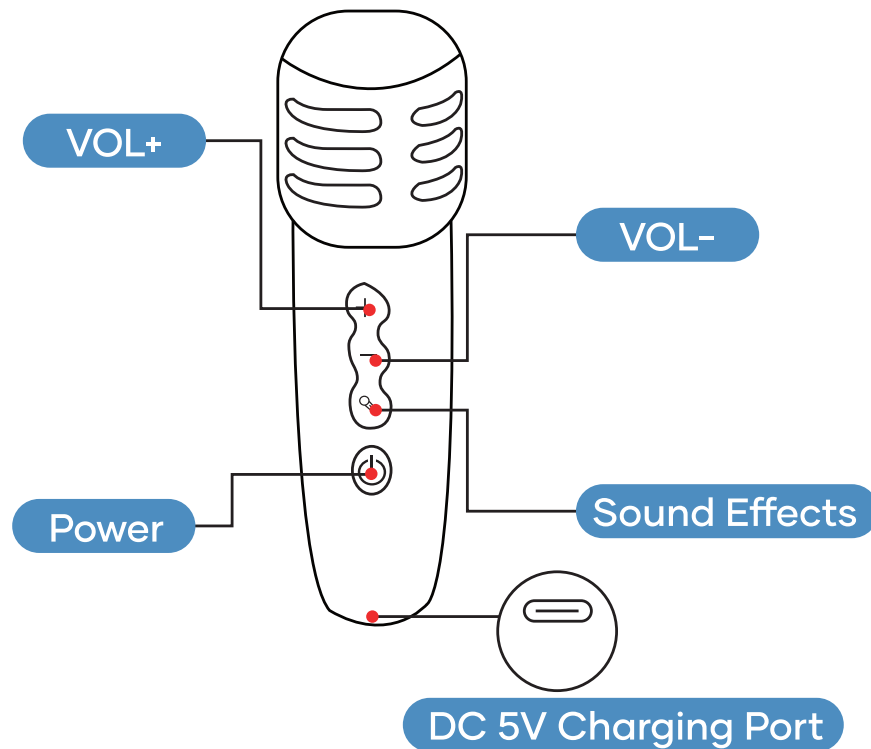
Instructions for Use

As you power on, Bluetooth mode is the default. You could search for the Bluetooth device named "KA217" on your phone/iPad for connection. It will be converted to TF card mode when you insert the TF card. It will be converted to USB mode when you insert the USB. It will be converted to AUX mode when you insert the AUX cable. When inserting the TF card and USB at the same time, Long press the "MODE/  " button to switch modes.

Singing Instruction

1. When the speaker is turned on, the wireless microphone is connected to the speaker by default after it is turned on. Just turn on the wireless microphone power switch "ON / OFF", you can sing in any mode of the speaker.
2. When singing, you can adjust the reverb effect through the "ECHO" button, and turn the button to adjust the volume level.
3. Adjust the volume of the speaker and microphone, and select the appropriate sound effect.
4. When using the mobile phone/tablet to play music, the volume of the speaker can also be adjusted through the mobile phone/tablet.

MICROPHONE DESCRIPTION



Power Button: Long press 3 seconds to turn on/off the microphone

VOL-/VOL+: Press the buttons to adjust the volume of the microphone.

Sound Effects: Short press to change the original voice to a voice with different characteristics. There are five voices in total, namely the original voice, child voice, old man voice, female voice, and male voice.

DETAILED USAGE GUIDE

How to charge the machine?

Use the included charging cable to plug into the DC 5V charging port on the top panel of the speaker to charge.

How to charge the microphones?

Use the included charging cable to plug into the DC 5V charging port on the bottom of the microphone to charge.

How to connect to Bluetooth?

Open the Bluetooth connection settings of the playback device, just search for the machine name "KA217" and click connect. When the speaker is not in Bluetooth mode, long press the "MODE/ ▶||" button to switch the playback option to Bluetooth.

How to use SD mode?

Insert the TF card (according to the direction of the icon) into the TF card slot on the top panel of the machine. The playback will start immediately.

How to start AUX mode? (Playing music from an AUX-compatible device like MP3 Player, Phone, or TV)

Plug the AUX cable into the designated slot on the top of the machine to activate AUX mode. Then, plug the other end of the adapter into the designated inputs on your device and play music.

How to use USB mode? (Playing music from a USB drive)

Plug a USB stick into the USB port on the top of the machine and your music will begin playing automatically.

How to clean?

Turn the machine and microphones off and unplug them from the charging adapter. Gently wipe the outside of the machine using a clean dry cloth. Keep all vents, buttons, and openings free of lint and dirt. Do not immerse the machine in water and do not use any harsh cleaners.

How to store?

Charge the machine and microphones so that they are ready for next use. Make sure that the machine is clean and dry. Store the machine in a cool dry place away from damaging machine parts.

PRODUCT ATTRIBUTES

Speaker Power	2*15W
Power input	TYPE-C 5V /2A
Bluetooth transmission distance	10 meters
Support interface	TYPE-C charging port, USB multimedia interface, TF card multimedia interface, AUX audiointerface.
Materials	Wood、 Plastic 、 Metal

FAQ

Questions	Solution
How to judge whether it is fully charged?	The charging indicator light will be red when charging, and the indicator light will be off when it is fully charged.
The microphone will not turn on.	Charge before use.
The machine will not turn on.	The battery power is exhausted, use it after charging, and be sure to charge the machine after each use.
The speaker volume is too low.	You can increase the volume of your music with the speaker's volume knob. In addition, the volume of the device connected to the speaker will also affect the sound of the music. You can increase the volume of the playback device to achieve the effect of improving the sound. If the situation cannot be resolved after trying, please contact us in time.
How to turn on the speaker?	"VOLUME" is the power switch and the volume adjustment button. Rotate the button clockwise to turn on the device and increase the volume, turn it counterclockwise to decrease the volume, and Turn the device off by rotating it back to the original position.

- * If any of these issues persist or if any part of the machine becomes damaged, discontinue use and consult a licensed electrician for repair.
- * Do not attempt to modify or repair the machine yourself. If you have any problem with the product, please don't hesitate to email us at:

us-karaoke-217@eitack.com

We will reply to you within 24 hours and give you the best solution.

FCC WARNING STATEMENT

FCC Statement:

This device complies with part 15 of the FCC rules. Operation is subject to the following two conditions:

- (1) This device may not cause harmful interference.
- (2) This device must accept any interference received, including interference that may cause undesired operation.
- (3) The manufacturer is not responsible for any radio or tv interference caused by unauthorized modifications or changes to this equipment. Such modifications or changes could void the user's authority to operate the equipment.

NOTE:

This equipment has been tested and found to comply with the limits for a Class B digital device, pursuant to part 15 of the FCC Rules. These limits are designed to provide reasonable protection against harmful interference in a residential installation.

This equipment generates, uses, and can radiate radio frequency energy and, if not installed and used in accordance with the instructions, may cause harmful interference to radio communications. However, there is no guarantee that interference will not occur in a particular installation. If this equipment does cause harmful interference to radio or television reception, which can be determined by turning the equipment off and on, the user is encouraged to try to correct the interference by one or more of the following measures:

- Reorient or relocate the receiving antenna.
- Increase the separation between the equipment and receiver. Connect the equipment into an outlet on a circuit different from that to which the receiver is connected.
- Consult the dealer or an experienced radio/TV technician for help.

Warning:

The device has been evaluated to meet the general RF exposure requirements. The device can be used in portable exposure conditions without restriction.

FCC-ID: 2A9JC-KA217

BIGASUO

KARAOKE MACHINE USER MANUAL

MODEL:KA217