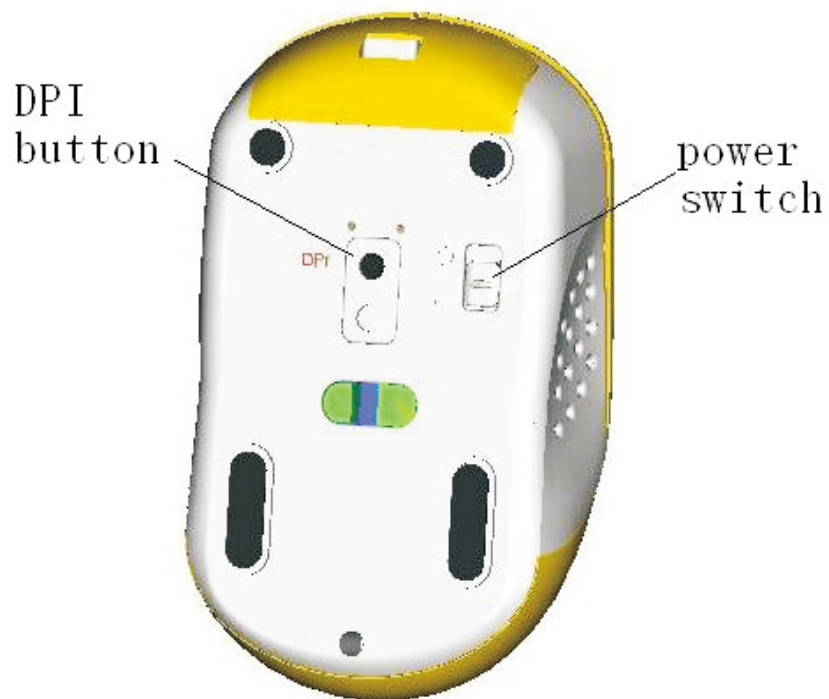


Instructions for ICEMOUSE BW002



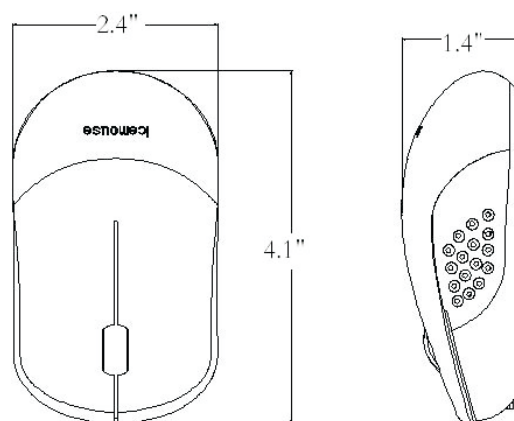
1. Turn on the power switch

Turn the power switch to the position of "-", as shown in the figure below.

2. Press the "DPI button" to select the DPI you need.

The mouse supports 800DPI, 1200DPI, 1600DPI and 2400DPI.

3. The red light is always on when charging, and the red light is off when fully charged.



Model	BW002
Power	3.7v Rechargeable lithium battery
Battery capacity	700MAH
Resolution	800dpi,1000dpi,1600dpi,2400dpi
Connection	2.4G
receiving distance	10m
Number of keys	3
Included Components	Charging cable,USB receiver,Color box,Mouse,Velvet bag

FCC Warning

This device complies with part 15 of the FCC Rules. Operation is subject to the following two conditions:

- (1) this device may not cause harmful interference, and
- (2) this device must accept any interference received, including interference that may cause undesired operation.

Any changes or modifications not expressly approved by the party responsible for compliance could void the user's authority to operate the equipment.

NOTE: This equipment has been tested and found to comply with the limits for a Class B digital device, pursuant to Part 15 of the FCC Rules. These limits are designed to provide reasonable protection against harmful interference in a residential installation. This equipment generates, uses and can radiate radio frequency energy and, if not installed and used in accordance with the instructions, may cause harmful interference to radio communications. However, there is no guarantee that interference will not occur in a particular installation.

If this equipment does cause harmful interference to radio or television reception, which can be determined by turning the equipment off and on, the user is encouraged to try to correct the interference by one or more of the following measures:

- Reorient or relocate the receiving antenna.
- Increase the separation between the equipment and receiver.
- Connect the equipment into an outlet on a circuit different from that to which the receiver is connected.
- Consult the dealer or an experienced radio/TV technician for help.

The device has been evaluated to meet general RF exposure requirement. The device can be used in portable exposure condition without restriction