

深圳市合晟通信科技有限公司

样品承认书

SPECIFICATION FOR APPROVAL

客户名称:

★ Customer _____

客户编号:

★ Description _____

本司料号:

★ Part No. HS-SKT010 IPEX

送样日期:

★ Date 2018年08月07日

本司确认 (TRX APPROVAL)			
核 准	工 程	制 作	签 章
肖起圣	黄震		
客户确认 (CUSTOMER APPROVAL)			
核 准	工 程	品 管	签 章
确认结果: <input type="checkbox"/> 合格 <input type="checkbox"/> 不合格 <input type="checkbox"/> 其它			

如对本承认书内容有异议请在 月 日 前提出并用红笔标记, 本承认书在未收到异议回复时于本承认书提出 2 周后生效。

深圳市合晟通信科技有限公司

ADD: 深圳市公明镇马山头第四工业区 78 栋 F1 二楼

电 话: 0769-82553115

传 真: 0769-82553116

Mobile: 15880646640

TOLERANCES (UNLESS OTHER SPECIFIED) X:±1 X.X:±0.1 X.XX:±0.01		Shenzhen Hesheng Communication Technology Co., LTD	
ANGLES:±	HOLEDIA:±		
SCALE :	UNIT : mm		
DRAWN BY :	CHECKED BY :		
DESIGNED BY :	APPROVED BY :		
TITLE :	DOCUMENT NO.	<u>HS-SKT010 IPEX</u>	REV. A

Antenna

1. Explanation of Product number :

H S - S K T - 0 1 0

1 2 3 4



Product Code:

(1) Cable:

150I: 150MM*1.13一代端子

(2) Cable Color:

B: Black

(3)

2. Features

- *Stable and reliable in performances
- *Compact size
- *RoHS compliance

3. Description

Hesheng's Brass antenna series are specially designed for WiFi (802.11 b/g/n) applications. Based on Holy bond's proprietary design and processes, this Brass antenna has excellent stability and sensitivity to consistently provide high signal reception efficiency.

TOLERANCES (UNLESS OTHER SPECIFIED) X:±1 X.X:±0.1 X.XX:±0.01		Shenzhen Hesheng Communication Technology Co., LTD		
ANGLES:± HOLEDIA.:±				
SCALE :	UNIT : mm			
DRAWN BY :	CHECKED BY :			
DESIGNED BY :	APPROVED BY :			
TITLE :		DOCUMENT NO.	HS-SKT010 IPEX	REV. A

5. Electrical Specifications

5-1.

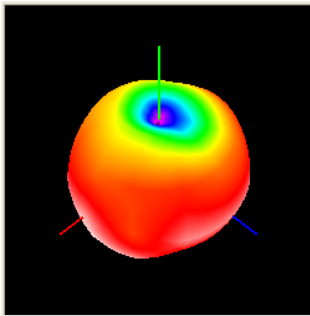
VSWR



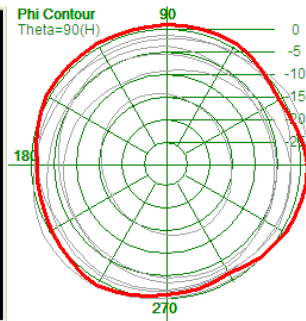
Return Loss(S11)



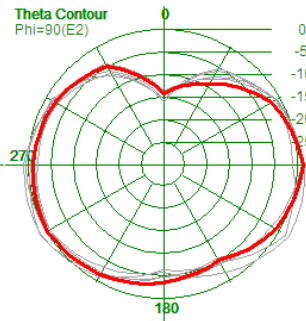
5.2. Antenna Gain/Efficiency/3D DAT



2.4GHz

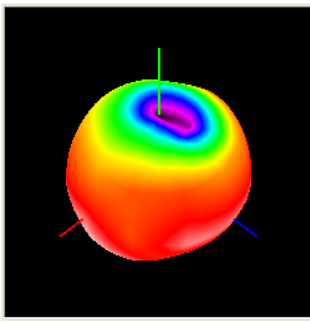


Gain:2.27 dBi

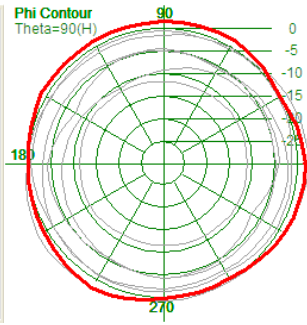


Efficiency:64.0 %

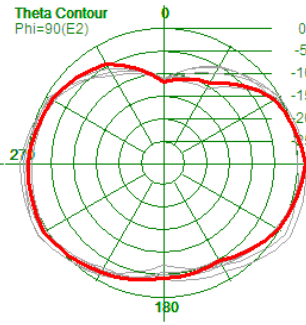
TOLERANCES (UNLESS OTHER SPECIFIED) X:±1 X.X:±0.1 X.XX:±0.01		Shenzhen Hesheng Communication Technology Co., LTD	
ANGLES:± HOLEDIA:±			
SCALE :	UNIT : mm		
DRAWN BY :	CHECKED BY :		
DESIGNED BY :	APPROVED BY :		
TITLE :	DOCUMENT NO.	HS-SKT010 IPEX	REV. A



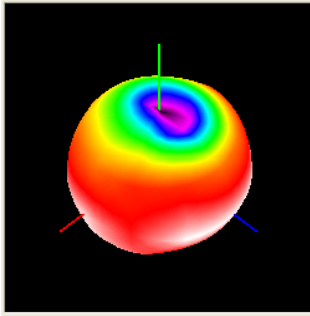
2.45GHz



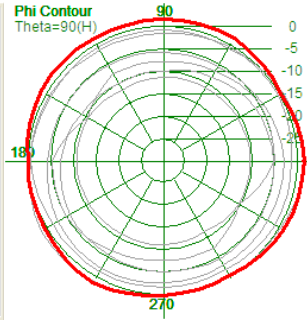
Gain: 2.12dBi



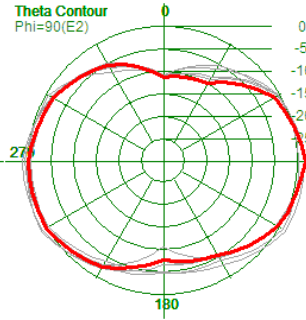
Efficiency: 66.4%



2.5GHz



Gain: 2.06dBi



Efficiency: 67.3%

TOLERANCES (UNLESS OTHER SPECIFIED)

X:±1 X.X:±0.1 X.XX:±0.01

ANGLES:± HOLEDIA:±

SCALE : UNIT : mm

DRAWN BY : CHECKED BY :

DESIGNED BY : APPROVED BY :

TITLE :

Shenzhen Hesheng Communication
Technology Co., LTD

DOCUMENT NO. HS-SKT010 IPEX

REV.
A