



FCC Test Report

Report No: FCS2022011005W01

Issued for

Applicant:	Soft dB Active Control System Inc.
Address:	1040 Avenue Belvedere Suite 215 Quebec, QC CANADA G1S 3G3
Product Name:	Sound Masking Device
Brand Name:	SoftdB
Model Name:	DEEP
Series Model:	DEEP-G1, DEEP-W1, DEEP-O1, DEEP-R1, DEEP-G2, DEEP-W2, DEEP-O2, DEEP-R2 DEEP-G3, DEEP-W3, DEEP-O3, DEEP-R3
FCC ID:	2A9GB-DEEP
Issued By: Flux Compliance Service Laboratory Add: Room 105 Floor Bao hao Technology Building 1 NO.15 Gong ye West Road Hi-Tech Industrial, Song shan lake Dongguan Tel: 769-27280901 Fax:769-27280901 http://www.fcs-lab.com	

TEST RESULT CERTIFICATION

Applicant's Name.....: Soft dB Active Control System Inc.
Address.....: 1040 Avenue Belvedere Suite 215 Quebec, QC CANADA G1S 3G3
Manufacture's Name.....: LINGWEIDA Technology Co.,LTD.
Address.....: 5th Floor, Building A, LeZhuJiao Hongzhu YongQi Science and
Technology Park, Jiuwei Community, Hangcheng Street, Baoan
District, Shenzhen, China

Product Description

Product Name.....: Sound Masking Device
Brand Name: SoftdB
Model Name.....: DEEP
Series Model.....: DEEP-G1, DEEP-W1, DEEP-O1, DEEP-R1,DEEP-G2, DEEP-W2,
DEEP-O2, DEEP-R2 DEEP-G3, DEEP-W3, DEEP-O3, DEEP-R3
Test Standards.....: FCC Rules and Regulations Part 15 Subpart C, Section 249
Test Procedure.....: ANSI C63.10:2013

This device described above has been tested FCS, the test results show that the equipment under test (EUT) is in compliance with the FCC requirements. And it is applicable only to the tested sample identified in the report.

This report shall not be reproduced except in full, without the written approval of FCS, this document may be altered or revised by FCS, personal only, and shall be noted in the revision of the document..

Date of Test.....:

Date (s) of performance of tests.: 02 Nov. 2022~15 Nov. 2022

Date of Issue.....: 15 Nov. 2022

Test Result.....: Pass

Tested by

:

Scott Shen

(Scott Shen)

Reviewed by

:

Duke Qian

(Duke Qian)

Approved by

:

Jack Wang

(Jack Wang)

Table of Contents	Page
1. SUMMARY OF TEST RESULTS	5
1.1 TEST FACTORY	6
1.2 MEASUREMENT UNCERTAINTY	6
2. GENERAL INFORMATION	7
2.1 GENERAL DESCRIPTION OF THE EUT	7
2.2 DESCRIPTION OF THE TEST MODES	9
2.3 DESCRIPTION OF NECESSARY ACCESSORIES AND SUPPORT UNITS	10
2.4 EQUIPMENTS LIST	11
3 CONDUCTED EMISSION MEASUREMENT	12
3.1 LIMIT	12
3.2 TEST PROCEDURE	12
3.3 TEST SETUP	13
3.4 TEST RESULTS	14
4. RADIATED EMISSION MEASUREMENT	16
4.1 LIMIT	16
4.2 TEST PROCEDURE	17
4.3 TEST SETUP	18
4.4 TEST RESULTS	19
5. BAND EDGE TEST	25
5.1 LIMIT	25
5.2 TEST PROCEDURE	25
5.3 TEST SETUP	26
5.4 TEST RESULTS	27
6. 20 DB BANDWIDTH TEST	28
6.1 LIMIT	28
6.2 TEST PROCEDURE	28
6.3 TEST SETUP	28
6.4 TEST RESULTS	29
7. ANTENNA REQUIREMENT	31
7.1 STANDARD REQUIREMENT	31
7.2 EUT ANTENNA	31

Revision History

Rev.	Issue Date	Effect Page	Contents
00	15 Nov. 2022	All	Initial Issue

1. SUMMARY OF TEST RESULTS

FCC Part 15.249,Subpart C			
Standard Section	Test Item	Judgment	Remark
15.207	Conducted Emission	PASS	--
15.205(a), 15.209(a), 15.249(a), 15.249(c)	Radiated Spurious Emission	PASS	--
15.209	Field strength of fundamental	PASS	
15.249(d)	Band Edge Emission	PASS	--
15.215(c)	20dB Bandwidth	PASS	--
15.203	Antenna Requirement	PASS	--

NOTE:

- (1) "N/A" denotes test is not applicable in this Test Report
- (2) All tests are according to ANSI C63.10-2013

1.1 TEST FACTORY

Company Name:	Flux Compliance Service Laboratory
Address:	Room 105 Floor Bao hao Technology Building 1 NO.15 Gong ye West Road Hi-Tech Industrial, Song shan lake Dongguan
Telephone:	+86-769-27280901
Fax:	+86-769-27280901
FCC Test Firm Registration Number: 514908 Designation number: CN0127 A2LA accreditation number: 5545.01	

1.2 MEASUREMENT UNCERTAINTY

The reported uncertainty of measurement $y \pm U$, where expanded uncertainty U is based on a standard uncertainty multiplied by a coverage factor of $k=2$, providing a level of confidence of approximately **95** %.

No.	Item	Uncertainty
1	RF output power, conducted	± 0.71 dB
2	Unwanted Emissions, conducted	± 2.98 dB
3	Conducted Emission (9KHz-150KHz)	± 4.13 dB
4	Conducted Emission (150KHz-30MHz)	± 4.74 dB
5	All emissions,radiated(<1G) 9KHz-30MHz	± 3.1 dB
6	All emissions,radiated(<1G) 30MHz-1000MHz	± 3.2 dB
7	All emissions,radiated (1GHz -18GHz)	± 3.66 dB
8	All emissions,radiated (18GHz -40GHz)	± 4.31 dB
9	Occupied bandwidth	4 (%)

2. GENERAL INFORMATION

2.1 GENERAL DESCRIPTION OF THE EUT

Product Name	Sound Masking Device
Trade Name	SoftdB
Model Name	DEEP
Series Model	DEEP-G1, DEEP-W1, DEEP-O1, DEEP-R1, DEEP-G2, DEEP-W2, DEEP-O2, DEEP-R2 DEEP-G3, DEEP-W3, DEEP-O3, DEEP-R3
Model Difference	The above product with same circuit, PCB layout, electrical parts, materials and wiring structures, Appearance shape, the materials of decorative accessories is same, only different color.
Channel List	Please refer to the Note 2.
BT	Frequency:2402-2480MHz Modulation: GFSK Data rate: 1Mbps Channel number: BLE 40CH
Power Supply	DC 3.7V by battery and DC 5V by adapter
Hardware version number	V1.0
Software version number	V1.0
Connecting I/O Port(s)	Please refer to the User's Manual

Note:

1. For a more detailed features description, please refer to the manufacturer's specifications or the User's Manual.

2. **Operation Frequency each of channel**

Channel	Frequency	Channel	Frequency	Channel	Frequency	Channel	Frequency
1	2402MHz	11	2422MHz	21	2442MHz	31	2462MHz
2	2404MHz	12	2424MHz	22	2444MHz	32	2464MHz
⋮	⋮	⋮	⋮	⋮	⋮	⋮	⋮
9	2418MHz	19	2438MHz	29	2458MHz	39	2478MHz
10	2420MHz	20	2440MHz	30	2460MHz	40	2480MHz

3. Table for Filed Antenna

Ant.	Brand	Model Name	Antenna Type	Connector	Gain (dBi)	NOTE
1	NA	N/A	PCB Antenna	N/A	-0.68	Antenna

2.2 DESCRIPTION OF THE TEST MODES

To investigate the maximum EMI emission characteristics generates from EUT, the test system was pre-scanning tested base on the consideration of following EUT operation mode or test configuration mode which possible have effect on EMI emission level. Each of these EUT operation mode(s) or test configuration mode(s) mentioned above was evaluated respectively.

Test software: FCC tool

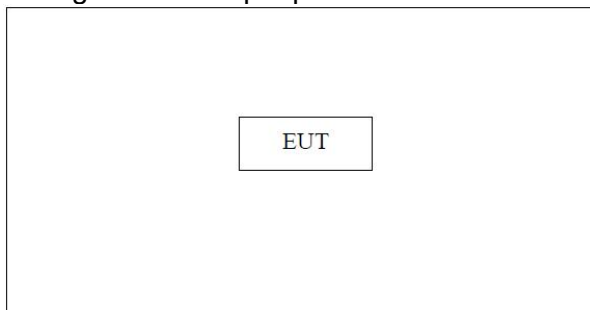
The test software was used to control EUT work in continuous TX mode, and select test channel, Wireless mode as below table

No.	Test model description
1	Low channel GFSK
2	Middle channel GFSK
3	High channel GFSK

Note:

1. All the test modes can be supply by battery, only the result of the worst case recorded in the report. GFSK mode is worst mode.
2. For radiated emission, 3 axis were chosen for testing for each applicable mode.
3. The EUT used fully charge battery when tested.
4. During the test, the dutycycle>98%, the test voltage was tuned from 85% to 115% of the Nominal rate supply votage, and found that the worst case was the nominal rated supply condition, So the report just shows that condition's data

Configuration and peripherals



2.3 DESCRIPTION OF NECESSARY ACCESSORIES AND SUPPORT UNITS

The EUT has been tested as an independent unit together with other necessary accessories or support units. The following support units or accessories were used to form a representative test configuration during the tests.

Necessary accessories

Item	Equipment	Mfr/Brand	Model/Type No.	Serial No.	Note
1	Adapter	HUAWEI	050KU	N/A	this adapter is for testing only in report

Support units

Item	Equipment	Mfr/Brand	Model/Type No.	Serial No.	Note

Note:

- (1) The support equipment was authorized by Declaration of Confirmation.
- (2) For detachable type I/O cable should be specified the length in cm in 『Length』 column.
- (3) “YES” is means “shielded” “with core”; “NO” is means “unshielded” “without core”.

2.4 EQUIPMENTS LIST

Radiation Test equipment

Kind of Equipment	Manufacturer	Type No.	Company No.	Last calibration	Calibrated until
EMI Test Receiver	R&S	ESRP 3	FCS-E001	2022.01.28	2023.01.27
Signal Analyzer	R&S	FSV40-N	FCS-E012	2022.01.28	2023.01.27
Active loop Antenna	ZHINAN	ZN30900C	FCS-E013	2022.01.28	2023.01.27
Bilog Antenna	SCHWARZBECK	VULB 9168	FCS-E002	2022.01.28	2023.01.27
Horn Antenna	SCHWARZBECK	BBHA 9120D	FCS-E003	2022.03.17	2023.03.16
SHF-EHF Horn Antenna (18G-40GHz)	A-INFO	LB-180400-KF	FCS-E018	2022.01.28	2023.01.27
Pre-Amplifier(0.1M-3G Hz)	EMCI	EM330N	FCS-E004	2022.01.28	2023.01.27
Pre-Amplifier (1G-18GHz)	N/A	TSAMP-0518SE	FCS-E014	2022.01.28	2023.01.27
Pre-Amplifier (18G-40GHz)	TERA-MW	TRLA-0400	FCS-E019	2022.01.28	2023.01.27
Temperature & Humidity	HTC-1	victor	FCS-E005	2022.01.28	2023.01.27

Conduction Test equipment

Kind of Equipment	Manufacturer	Type No.	Company No.	Last calibration	Calibrated until
EMI Test Receiver	R&S	ESPI	FCS-E020	2022.01.28	2023.01.27
LISN	R&S	ENV216	FCS-E007	2022.01.28	2023.01.27
LISN	ETS	3810/2NM	FCS-E009	2022.01.28	2023.01.27
Temperature & Humidity	HTC-1	victor	FCS-E008	2022.01.28	2023.01.27

RF Connected Test

Kind of Equipment	Manufacturer	Type No.	Company No.	Last calibration	Calibrated until
Spectrum Analyzer	Keysight	N9020A	FCS-E015	2022.01.28	2023.01.27
Spectrum Analyzer	Agilent	E4447A	MY50180039	2022.01.28	2023.01.27
Spectrum Analyzer	R&S	FSV-40	101499	2022.01.28	2023.01.27

3 CONDUCTED EMISSION MEASUREMENT

3.1 LIMIT

Operating frequency band. In case the emission fall within the restricted band specified on Part 207(a) limit in the table below has to be followed.

FREQUENCY (MHz)	Conducted Emissionlimit (dBuV)	
	Quasi-peak	Average
0.15 -0.5	66 - 56 *	56 - 46 *
0.50 -5.0	56.00	46.00
5.0 -30.0	60.00	50.00

Note:

- (1) The tighter limit applies at the band edges.
- (2) The limit of " * " marked band means the limitation decreases linearly with the logarithm of the frequency in the range.

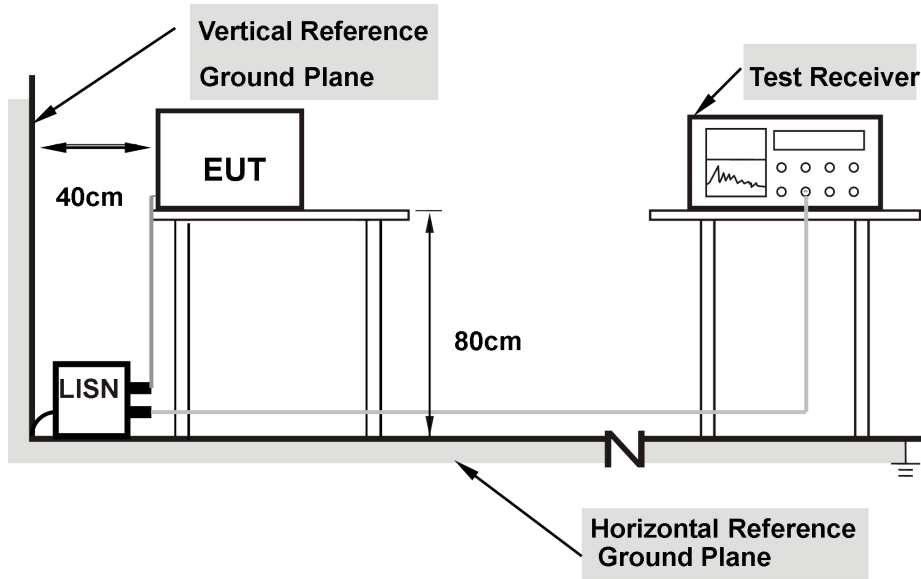
3.2 TEST PROCEDURE

The following table is the setting of the receiver

Receiver Parameters	Setting
Attenuation	10 dB
Start Frequency	0.15 MHz
Stop Frequency	30 MHz
IF Bandwidth	9 kHz

- a. The EUT was 0.8 meters from the horizontal ground plane and 0.4 meters from the vertical ground plane with EUT being connected to the power mains through a line impedance stabilization network (LISN). All other support equipments powered from additional LISN(s). The LISN provide 50 Ohm/ 50uH of coupling impedance for the measuring instrument.
- b. Interconnecting cables that hang closer than 40 cm to the ground plane shall be folded back and forth in the center forming a bundle 30 to 40 cm long.
- c. I/O cables that are not connected to a peripheral shall be bundled in the center. The end of the cable may be terminated, if required, using the correct terminating impedance. The overall length shall not exceed 1 m.
- d. LISN at least 80 cm from nearest part of EUT chassis.
- e. For the actual test configuration, please refer to the related Item –EUT Test Photos.

3.3 TEST SETUP



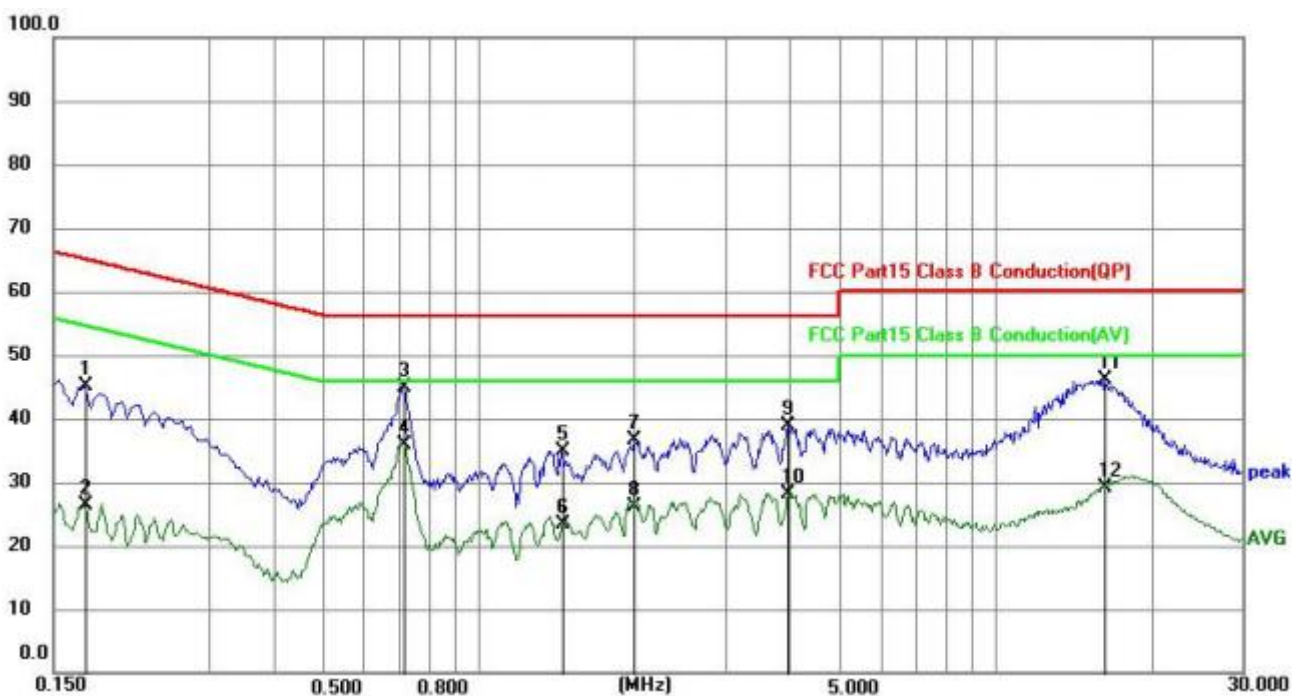
Note: 1.Support units were connected to second LISN.

2.Both of LISNs (AMN) are 80 cm from EUT and at least 80 from other units and other metal planes

3.4 TEST RESULTS

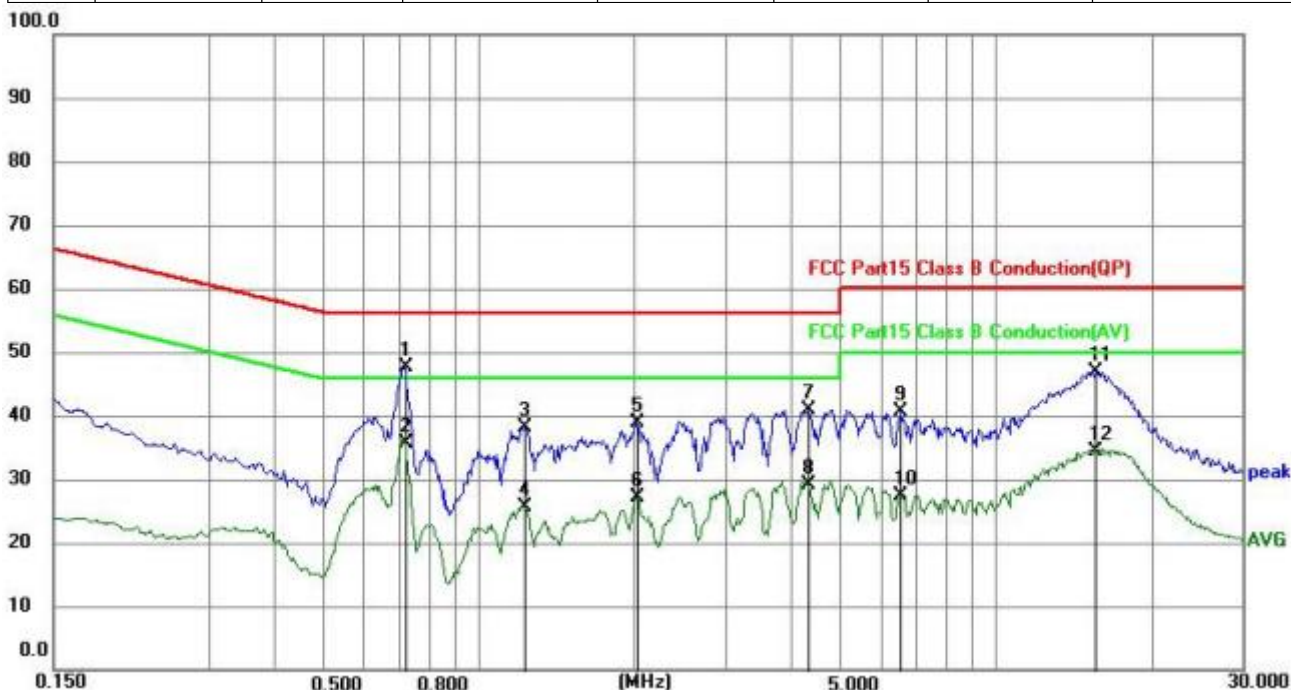
Temperature:	25°C	Relative Humidity:	50%
Test Mode:	GFSK	Test Voltage:	DC 5V by adapter
Phase:	L	Result:	Pass

No.	Frequency (MHz)	Reading (dBuV)	Correct Factor(dB/m)	Result (dBuV/m)	Limit (dBuV/m)	Margin (dB)	Remark
1	0.1725	35.23	9.78	45.01	64.84	19.83	QP
2	0.1725	16.54	9.78	26.32	54.84	28.52	AVG
3	0.7125	34.88	9.89	44.77	56.00	11.23	QP
4	0.7125	25.94	9.89	35.83	46.00	10.17	AVG
5	1.4460	22.70	12.15	34.85	56.00	21.15	QP
6	1.4460	11.31	12.15	23.46	46.00	22.54	AVG
7	1.9995	21.61	14.93	36.54	56.00	19.46	QP
8	1.9995	11.28	14.93	26.21	46.00	19.79	AVG
9	3.9750	20.64	18.24	38.88	56.00	17.12	QP
10	3.9750	9.95	18.24	28.19	46.00	17.81	AVG
11	16.3005	25.92	20.13	46.05	60.00	13.95	QP
12	16.3005	9.07	20.13	29.20	50.00	20.80	AVG



Temperature:	25°C	Relative Humidity:	50%
Test Mode:	GFSK	Test Voltage:	DC 5V by adapter
Phase:	N	Result:	Pass

No.	Frequency (MHz)	Reading (dBuV)	Correct Factor(dB/m)	Result (dBuV/m)	Limit (dBuV/m)	Margin (dB)	Remark
1	0.7170	37.62	9.89	47.51	56.00	8.49	QP
2	0.7170	25.83	9.89	35.72	46.00	10.28	AVG
3	1.2255	27.13	11.05	38.18	56.00	17.82	QP
4	1.2255	14.70	11.05	25.75	46.00	20.25	AVG
5	2.0175	23.93	14.96	38.89	56.00	17.11	QP
6	2.0175	12.05	14.96	27.01	46.00	18.99	AVG
7	4.3439	21.88	18.91	40.79	56.00	15.21	QP
8	4.3439	10.16	18.91	29.07	46.00	16.93	AVG
9	6.5670	20.47	20.09	40.56	60.00	19.44	QP
10	6.5670	7.34	20.09	27.43	50.00	22.57	AVG
11	15.6300	26.71	20.21	46.92	60.00	13.08	QP
12	15.6300	14.13	20.21	34.34	50.00	15.66	AVG



Remark:

1. All readings are Quasi-Peak and Average values.

4. RADIATED EMISSION MEASUREMENT

4.1 LIMIT

In any 100 kHz bandwidth outside the operating frequency band. In case the emission fall within the Restricted band specified on Part15.205(a)&209(a) limit in the table and according to ANSI C63.10-2013 below has to be followed

LIMITS OF RADIATED EMISSION MEASUREMENT (0.009mhz - 1000mhz)

Frequencies (MHz)	Field Strength (micovolts/meter)	Measurement Distance (meters)
0.009~0.490	2400/F(KHz)	300
0.490~1.705	24000/F(KHz)	30
1.705~30.0	30	30
30~88	100	3
88~216	150	3
216~960	200	3
Above 960	500	3

LIMITS OF RADIATED EMISSION MEASUREMENT (1GHz-25 GHz)

FREQUENCY (MHz)	(dBuV/m) (at 3M)	
	PEAK	AVERAGE
Above 1000	74	54

LIMITS OF FIELD STRENGTH OF THE FUNDAMENTAL SIGNAL

FREQUENCY (MHz)	(dBuV/m) (at 3M)	
	PEAK	AVERAGE
2400-2483.5	114	94

Notes:

- (1) The limit for radiated test was performed according to FCC PART 15C.
- (2) The tighter limit applies at the band edges.
- (3) Emission level (dBuV/m)=20log Emission level (uV/m).

4.2 TEST PROCEDURE

Spectrum Parameter	Setting
Attenuation	Auto
Detector	Peak/AV
Start Frequency	1000 MHz(Peak/AV)
Stop Frequency	10th carrier hamonic(Peak/AV)
RB / VB (emission in restricted band)	PK=1MHz / 1MHz, AV=1 MHz /10 Hz (Peak detector is for Both)

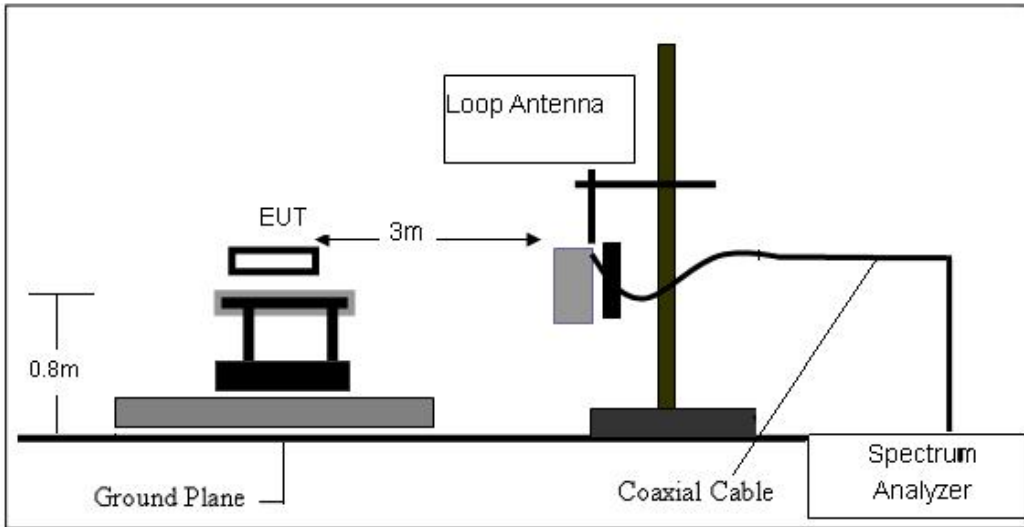
- a. The measuring distance of at 3 m shall be used for measurements at frequency 0.009MHz up to 1GHz,and above 1GHz.
- b. The EUT was placed on the top of a rotating table 0.8 meters (above 1GHz is 1.5 m) above the ground at a 3 meter anechoic chamber test site. The table was rotated 360 degrees to determine the position of the highest radiation.
- c. The height of the equipment shall be 0.8 m(above 1GHz is 1.5 m); the height of the test antenna shall vary between 1 m to 4 m. horizontal and vertical polarizations of the antenna are set to make the measurement.
- d. The initial step in collecting conducted emission data is a spectrum analyzer peak detector mode pre-scanning the measurement frequency range. Significant peaks are then marked and then QuasiPeak detector mode re-measured.
- e. If the Peak Mode measured value compliance with and lower than Quasi Peak Mode Limit, the EUT shall be deemed to meet QP Limits and then no additional QP Mode measurement performed.
- f. For the actual test configuration, please refer to the related Item –EUT Test Photos.

Note:

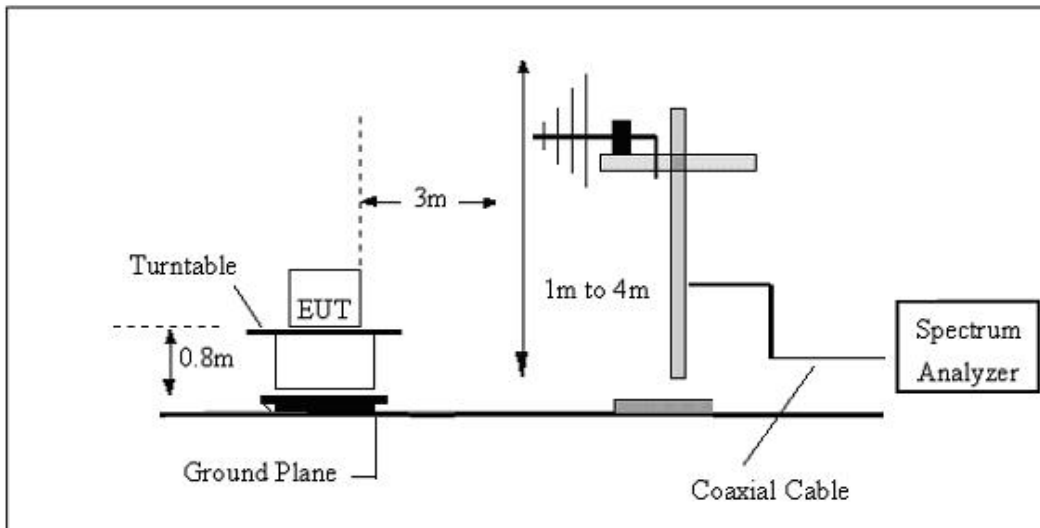
Both horizontal and vertical antenna polarities were tested and performed pretest to three orthogonal axis. The worst case emissions were reported
 For fundamental frequency ,RBW>20dB BW ,VBW>RBW,PK detector for PK value, RMS detector for AV value.

4.3 TEST SETUP

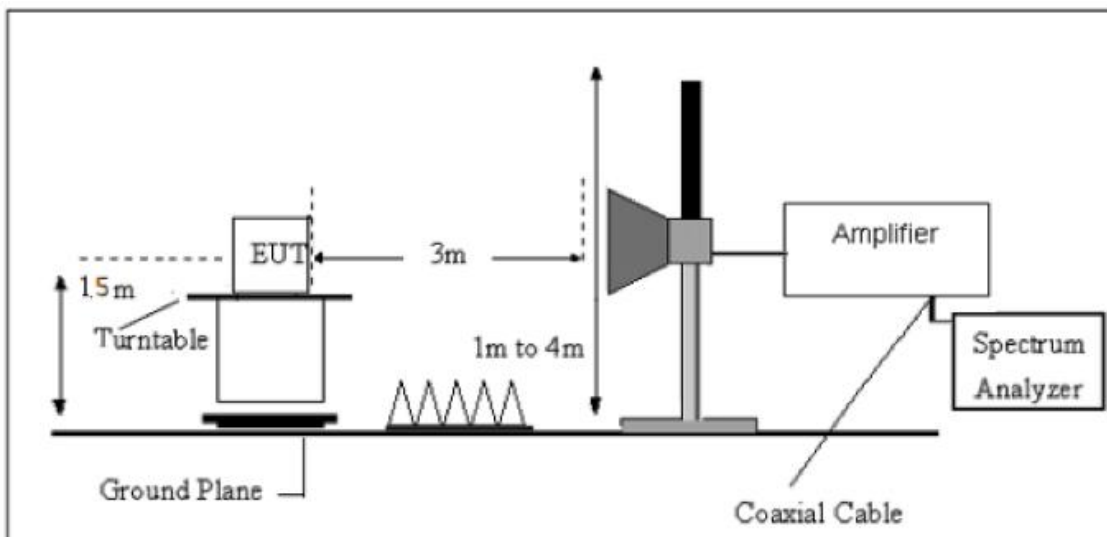
(A) Radiated Emission Test-Up Frequency Below 30MHz



(B) Radiated Emission Test-Up Frequency 30MHz~1GHz



(C) Radiated Emission Test-Up Frequency Above 1GHz



4.4 TEST RESULTS

Temperature:	25°C	Relative Humidity:	60%
Test Mode:	GFSK Mode	Test Voltage:	DC 3.7V by Battery

For field strength of the fundamental signal

Peak value

Frequency (MHz)	Read Level (dBuV)	Antenna Factor (dB/m)	Cable Loss (dB)	Preamp Factor (dB)	Level (dBuV/m)	Limit Line (dBuV/m)	Over Limit (dB)	polarization
2402.00	86.82	27.58	5.39	30.18	89.61	114.00	-24.39	Vertical
2402.00	85.13	27.58	5.39	30.18	87.92	114.00	-26.08	Horizontal
2440.00	85.61	27.55	5.43	30.06	88.53	114.00	-25.47	Vertical
2440.00	84.25	27.55	5.43	30.06	87.17	114.00	-26.83	Horizontal
2480.00	87.60	27.52	5.47	29.93	90.66	114.00	-23.34	Vertical
2480.00	85.15	27.52	5.47	29.93	88.21	114.00	-25.79	Horizontal

Average value

Frequency (MHz)	Read Level (dBuV)	Antenna Factor (dB/m)	Cable Loss (dB)	Preamp Factor (dB)	Level (dBuV/m)	Limit Line (dBuV/m)	Over Limit (dB)	polarization
2402.00	75.62	27.58	5.39	30.18	78.41	94.00	-15.59	Vertical
2402.00	74.01	27.58	5.39	30.18	76.80	94.00	-17.20	Horizontal
2440.00	74.25	27.55	5.43	30.06	77.17	94.00	-16.83	Vertical
2440.00	71.62	27.55	5.43	30.06	74.54	94.00	-19.46	Horizontal
2480.00	76.16	27.52	5.47	29.93	79.22	94.00	-14.78	Vertical
2480.00	73.99	27.52	5.47	29.93	77.05	94.00	-16.95	Horizontal

For spurious emission

(9KHz-30MHz)

Freq. (MHz)	Reading (dBuV/m)	Limit (dBuV/m)	Margin (dB)	State P/F	Test Result
--	--	--	--	--	PASS
--	--	--	--	--	PASS

Note:

The amplitude of spurious emissions which are attenuated by more than 20dB below the permissible value has no need to be reported.

Distance extrapolation factor = $40 \log(\text{specific distance/test distance})(\text{dB})$;

Limit line = specific limits (dBuv) + distance extrapolation factor.

(30MHZ-1000MHZ)

Temperature:	23.7°C	Relative Humidity:	61%
Test Voltage:	DC 3.7V by Battery	Phase:	Horizontal
Test Mode:	GFSK		



No.	Frequency (MHz)	Reading (dBuV)	Correction (dB/m)	Result (dBuV/m)	Limit (dBuV/m)	Margin (dB)	Remark
1	35.0048	47.61	-16.23	31.38	40.00	-8.62	QP
2	69.1141	39.16	-20.12	19.04	40.00	-20.96	QP
3	127.2176	45.19	-20.51	24.68	43.50	-18.82	QP
4	351.7080	38.09	-12.60	25.49	46.00	-20.51	QP
5	760.7036	34.10	-4.84	29.26	46.00	-16.74	QP
6	916.0687	38.84	-3.10	35.74	46.00	-10.26	QP

Temperature:	22.7°C	Relative Humidity:	61%
Test Voltage:	DC 3.7V by Battery	Phase:	Vertical
Test Mode:	GFSK		



No.	Frequency (MHz)	Reading (dBuV)	Correction (dB/m)	Result (dBuV/m)	Limit (dBuV/m)	Margin (dB)	Remark
1	35.1278	52.55	-16.26	36.29	40.00	-3.71	QP
2	56.3948	45.43	-16.88	28.55	40.00	-11.45	QP
3	74.1351	54.67	-21.16	33.51	40.00	-6.49	QP
4	106.3850	52.06	-17.22	34.84	43.50	-8.66	QP
5	256.5210	42.94	-15.07	27.87	46.00	-18.13	QP
6	522.7180	35.27	-9.73	25.54	46.00	-20.46	QP

Remarks:

1. Margin = Result (Result =Reading + Factor) - Limit

(1GHZ~25GHZ)

LOW CH(GFSK)

Peak value

Frequency (MHz)	Read Level (dBuV)	Antenna Factor (dB/m)	Cable Loss (dB)	Preamp Factor (dB)	Level (dBuV/m)	Limit Line (dBuV/m)	Over Limit (dB)	polarization
4804.00	35.35	31.78	8.60	32.09	43.64	74.00	-30.36	Vertical
7206.00	30.53	36.15	11.65	32.00	46.33	74.00	-27.67	Vertical
9608.00	30.31	37.95	14.14	31.62	50.78	74.00	-23.22	Vertical
12010.00	*					74.00		Vertical
14412.00	*					74.00		Vertical
4804.00	39.23	31.78	8.60	32.09	47.52	74.00	-26.48	Horizontal
7206.00	32.11	36.15	11.65	32.00	47.91	74.00	-26.09	Horizontal
9608.00	29.55	37.95	14.14	31.62	50.02	74.00	-23.98	Horizontal
12010.00	*					74.00		Horizontal
14412.00	*					74.00		Horizontal

AV value

Frequency (MHz)	Read Level (dBuV)	Antenna Factor (dB/m)	Cable Loss (dB)	Preamp Factor (dB)	Level (dBuV/m)	Limit Line (dBuV/m)	Over Limit (dB)	polarization
4804.00	24.53	31.78	8.60	32.09	32.82	54.00	-21.18	Vertical
7206.00	19.44	36.15	11.65	32.00	35.24	54.00	-18.76	Vertical
9608.00	18.64	37.95	14.14	31.62	39.11	54.00	-14.89	Vertical
12010.00	*					54.00		Vertical
14412.00	*					54.00		Vertical
4804.00	28.54	31.78	8.60	32.09	36.83	54.00	-17.17	Horizontal
7206.00	21.48	36.15	11.65	32.00	37.28	54.00	-16.72	Horizontal
9608.00	18.21	37.95	14.14	31.62	38.68	54.00	-15.32	Horizontal
12010.00	*					54.00		Horizontal
14412.00	*					54.00		Horizontal

MIDDLE CH(GFSK)

Peak value

Frequency (MHz)	Read Level (dBuV)	Antenna Factor (dB/m)	Cable Loss (dB)	Preamp Factor (dB)	Level (dBuV/m)	Limit Line (dBuV/m)	Over Limit (dB)	polarization
4880.00	35.27	31.85	8.67	32.12	43.67	74.00	-30.33	Vertical
7320.00	30.48	36.37	11.72	31.89	46.68	74.00	-27.32	Vertical
9760.00	30.27	38.35	14.25	31.62	51.25	74.00	-22.75	Vertical
12200.00	*					74.00		Vertical
14640.00	*					74.00		Vertical
4880.00	39.14	31.85	8.67	32.12	47.54	74.00	-26.46	Horizontal
7320.00	32.06	36.37	11.72	31.89	48.26	74.00	-25.74	Horizontal
9760.00	29.50	38.35	14.25	31.62	50.48	74.00	-23.52	Horizontal
12200.00	*					74.00		Horizontal
14640.00	*					74.00		Horizontal

AV value

Frequency (MHz)	Read Level (dBuV)	Antenna Factor (dB/m)	Cable Loss (dB)	Preamp Factor (dB)	Level (dBuV/m)	Limit Line (dBuV/m)	Over Limit (dB)	polarization
4880.00	24.48	31.85	8.67	32.12	32.88	54.00	-21.12	Vertical
7320.00	19.40	36.37	11.72	31.89	35.60	54.00	-18.40	Vertical
9760.00	18.60	38.35	14.25	31.62	39.58	54.00	-14.42	Vertical
12200.00	*					54.00		Vertical
14640.00	*					54.00		Vertical
4880.00	28.48	31.85	8.67	32.12	36.88	54.00	-17.12	Horizontal
7320.00	21.44	36.37	11.72	31.89	37.64	54.00	-16.36	Horizontal
9760.00	18.17	38.35	14.25	31.62	39.15	54.00	-14.85	Horizontal
12200.00	*					54.00		Horizontal
14640.00	*					54.00		Horizontal

HIGH CH(GFSK)

Peak value

Frequency (MHz)	Read Level (dBuV)	Antenna Factor (dB/m)	Cable Loss (dB)	Preamp Factor (dB)	Level (dBuV/m)	Limit Line (dBuV/m)	Over Limit (dB)	polarization
4960.00	35.27	31.93	8.73	32.16	43.77	74.00	-30.23	Vertical
7440.00	30.48	36.59	11.79	31.78	47.08	74.00	-26.92	Vertical
9920.00	30.27	38.81	14.38	31.88	51.58	74.00	-22.42	Vertical
12400.00	*					74.00		Vertical
14880.00	*					74.00		Vertical
4960.00	39.14	31.93	8.73	32.16	47.64	74.00	-26.36	Horizontal
7440.00	32.06	36.59	11.79	31.78	48.66	74.00	-25.34	Horizontal
9920.00	29.50	38.81	14.38	31.88	50.81	74.00	-23.19	Horizontal
12400.00	*					74.00		Horizontal
14880.00	*					74.00		Horizontal

AV value

Frequency (MHz)	Read Level (dBuV)	Antenna Factor (dB/m)	Cable Loss (dB)	Preamp Factor (dB)	Level (dBuV/m)	Limit Line (dBuV/m)	Over Limit (dB)	polarization
4960.00	24.50	31.93	8.73	32.16	33.00	54.00	-21.00	Vertical
7440.00	19.41	36.59	11.79	31.78	36.01	54.00	-17.99	Vertical
9920.00	18.62	38.81	14.38	31.88	39.93	54.00	-14.07	Vertical
12400.00	*					54.00		Vertical
14880.00	*					54.00		Vertical
4960.00	28.50	31.93	8.73	32.16	37.00	54.00	-17.00	Horizontal
7440.00	21.46	36.59	11.79	31.78	38.06	54.00	-15.94	Horizontal
9920.00	18.18	38.81	14.38	31.88	39.49	54.00	-14.51	Horizontal
12400.00	*					54.00		Horizontal
14880.00	*					54.00		Horizontal

Remark:

1. Final Level =Receiver Read level + Antenna Factor + Cable Loss – Preamplifier Factor
2. The emission levels of other frequencies are very lower than the limit and not show in test report.
3. “*”, means this data is the too weak instrument of signal is unable to test.

5. BAND EDGE TEST

5.1 LIMIT

According to §15.249(d), Emissions radiated outside of the specified frequency bands, except for harmonics, shall be attenuated by at least 50 dB below the level of the fundamental or to the general radiated emission limits in §15.209, whichever is the lesser attenuation.

5.2 TEST PROCEDURE

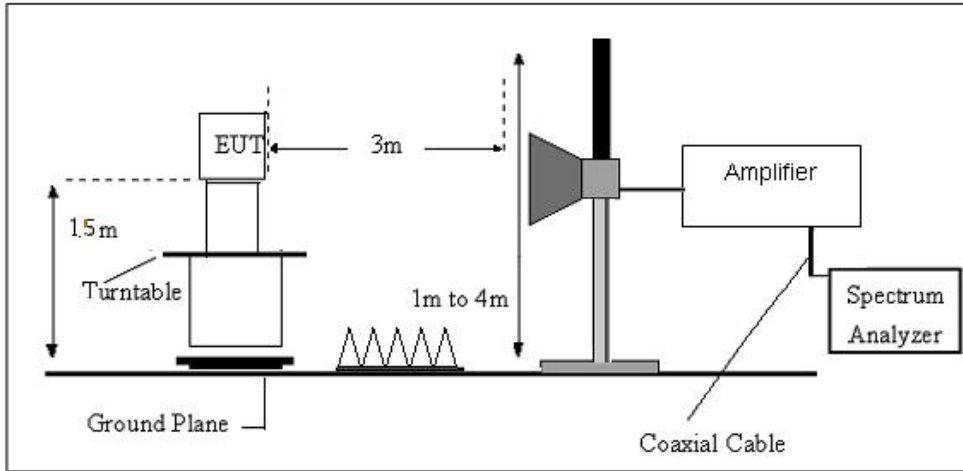
- a. The EUT is placed on a turntable, which is 1.5m above ground plane.
- b. EUT is set 3m away from the receiving antenna, which is varied from 1m to 4m to find out the highest emissions.
Use the following spectrum analyzer settings:
- c. Span = wide enough to fully capture the emission being measured, RBW = 1 MHz, VBW \geq RBW, Sweep = auto, Detector function = peak, Trace = max hold
Follow the guidelines in ANSI C63.10 with respect to maximizing the emission by rotating the EUT, adjusting the measurement antenna height and polarization, etc.
- d. The peak reading of the emission, after being corrected by the antenna factor, cable loss, pre-amp gain, etc., is the peak field strength, submit this data. Each emission was to be maximized by changing the polarization of receiving antenna both horizontal and vertical. Set the VBW to 10 Hz, while maintaining all of the other instrument settings. This peak level, once corrected, must comply with the limit specified in Section 15.209. If the duty cycle per channel of the hopping signal is less than 100 ms, then the reading obtained with
- e. the 10 Hz VBW may be further adjusted by a “duty cycle correction factor”, derived from $20\log(\text{duty cycle}/100 \text{ ms})$, in an effort to demonstrate compliance with the 15.209 limit.
Submit this data.

Note:

For fundamental frequency ,RBW>20dB BW ,VBW>RBW,PK detector for PK value, RMS detector for AV value.

5.3 TEST SETUP

Radiated Emission Test-Up Frequency Above 1GHz



5.4 TEST RESULTS

Low CH (GFSK)

Peak value:

Frequency (MHz)	Read Level (dBuV)	Antenna Factor (dB/m)	Cable Loss (dB)	Preamp Factor (dB)	Level (dBuV/m)	Limit Line (dBuV/m)	Over Limit (dB)	Polarization
2390.00	39.19	27.59	5.38	30.18	41.98	74.00	-32.02	Horizontal
2400.00	55.45	27.58	5.39	30.18	58.24	74.00	-15.76	Horizontal
2390.00	39.38	27.59	5.38	30.18	42.17	74.00	-31.83	Vertical
2400.00	57.09	27.58	5.39	30.18	59.88	74.00	-14.12	Vertical

Average value:

Frequency (MHz)	Read Level (dBuV)	Antenna Factor (dB/m)	Cable Loss (dB)	Preamp Factor (dB)	Level (dBuV/m)	Limit Line (dBuV/m)	Over Limit (dB)	Polarization
2390.00	30.57	27.59	5.38	30.18	33.36	54.00	-20.64	Horizontal
2400.00	41.59	27.58	5.39	30.18	44.38	54.00	-9.62	Horizontal
2390.00	30.25	27.59	5.38	30.18	33.04	54.00	-20.96	Vertical
2400.00	42.89	27.58	5.39	30.18	45.68	54.00	-8.32	Vertical

High CH(GFSK)

Peak value:

Frequency (MHz)	Read Level (dBuV)	Antenna Factor (dB/m)	Cable Loss (dB)	Preamp Factor (dB)	Level (dBuV/m)	Limit Line (dBuV/m)	Over Limit (dB)	Polarization
2483.50	40.85	27.53	5.47	29.93	43.92	74.00	-30.08	Horizontal
2500.00	40.73	27.55	5.49	29.93	43.84	74.00	-30.16	Horizontal
2483.50	41.08	27.53	5.47	29.93	44.15	74.00	-29.85	Vertical
2500.00	41.37	27.55	5.49	29.93	44.48	74.00	-29.52	Vertical

Average value:

Frequency (MHz)	Read Level (dBuV)	Antenna Factor (dB/m)	Cable Loss (dB)	Preamp Factor (dB)	Level (dBuV/m)	Limit Line (dBuV/m)	Over Limit (dB)	Polarization
2483.50	33.35	27.53	5.47	29.93	36.42	54.00	-17.58	Horizontal
2500.00	31.88	27.55	5.49	29.93	34.99	54.00	-19.01	Horizontal
2483.50	34.26	27.53	5.47	29.93	37.33	54.00	-16.67	Vertical
2500.00	31.50	27.55	5.49	29.93	34.61	54.00	-19.39	Vertical

Remark:

1. Final Level =Receiver Read level + Antenna Factor + Cable Loss – Preamplifier Factor

6. 20 DB BANDWIDTH TEST

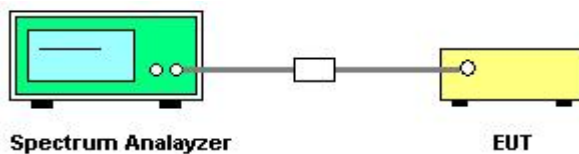
6.1 LIMIT

According to 15.215 (c) Intentional radiators operating under the alternative provisions to the general emission limits, as contained in § 15.217 through 15.257 and in Subpart E of this part, must be designed to ensure that the 20 dB bandwidth of the emission, or whatever bandwidth may otherwise be specified in the specific rule section under which the equipment operates, is contained within the frequency band designated in the rule section under which the equipment is operated. The requirement to contain the designated bandwidth of the emission within the specified frequency band includes the effects from frequency sweeping, frequency hopping and other modulation techniques that may be employed as well as the frequency stability of the transmitter over expected variations in temperature and supply voltage. If a frequency stability is not specified in the regulations, it is recommended that the fundamental emission be kept within at least the central 80% of the permitted band in order to minimize the possibility of out-of-band operation

6.2 TEST PROCEDURE

- Check the calibration of the measuring instrument using either an internal calibrator or a
- a. known signal from an external generator
 - b. Position the EUT without connection to measurement instrument. Turn on the EUT and connect it to measurement instrument. Then set it to any one convenient frequency within its operating range. Set a reference level on the measuring instrument equal to the highest peak value.
 - c. Measure the frequency difference of two frequencies that were attenuated 20 dB from the reference level. Record the frequency difference as the emission bandwidth.

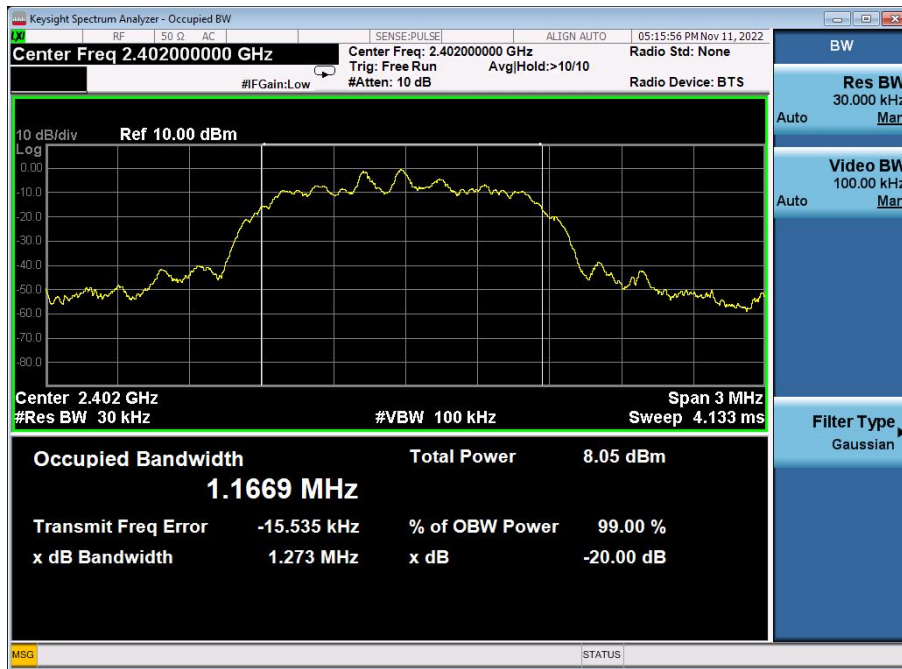
6.3 TEST SETUP

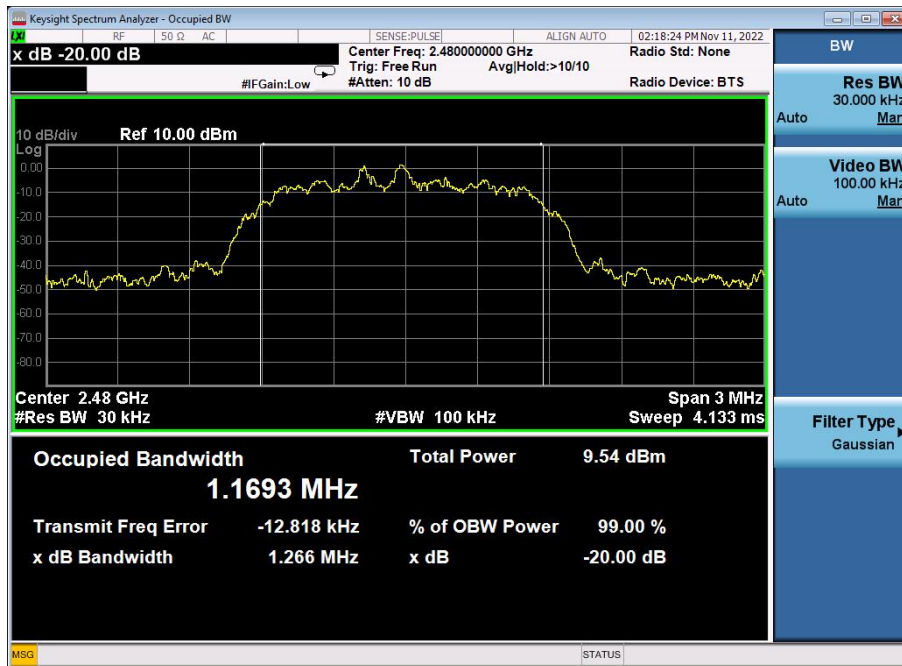
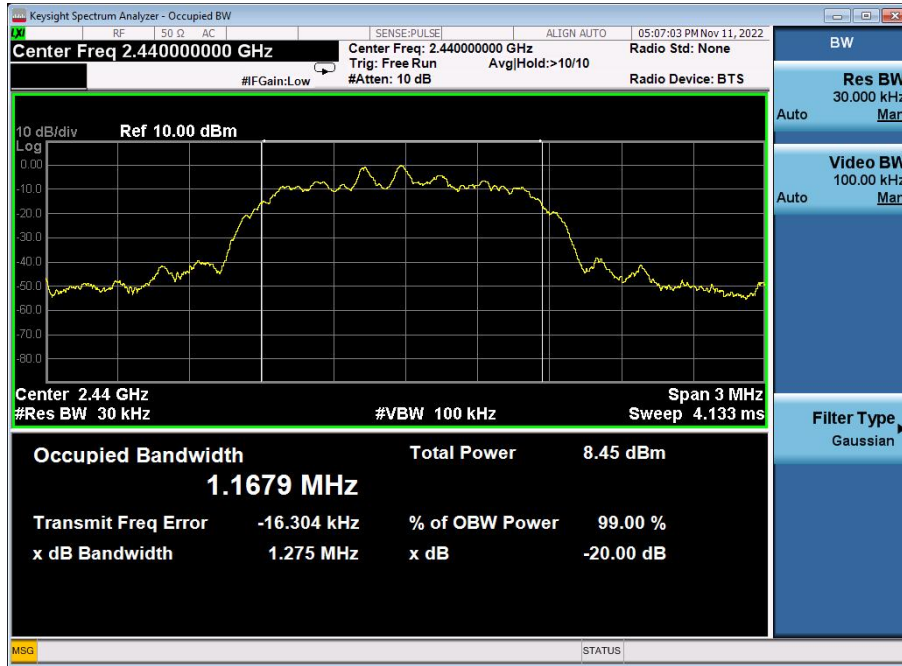


6.4 TEST RESULTS

Temperature:	25°C	Relative Humidity:	50%
Test Mode:	GFSK	Test Voltage:	DC 3.7V by Battery

Frequency	20dB Bandwidth (MHz)	Result
2402 MHz	1.273	PASS
2440 MHz	1.275	PASS
2480 MHz	1.266	PASS





7. ANTENNA REQUIREMENT

7.1 STANDARD REQUIREMENT

15.203 requirement: For intentional device, according to 15.203: an intentional radiator shall be designed to ensure that no antenna other than that furnished by the responsible party shall be used with the device.

7.2 EUT ANTENNA

The antennas used for this product are PCB antenna and other than that furnished by the responsible party shall be used with the device, the maximum peak gain of the transmit antenna is -0.68dBi.

*****END OF THE REPORT*****