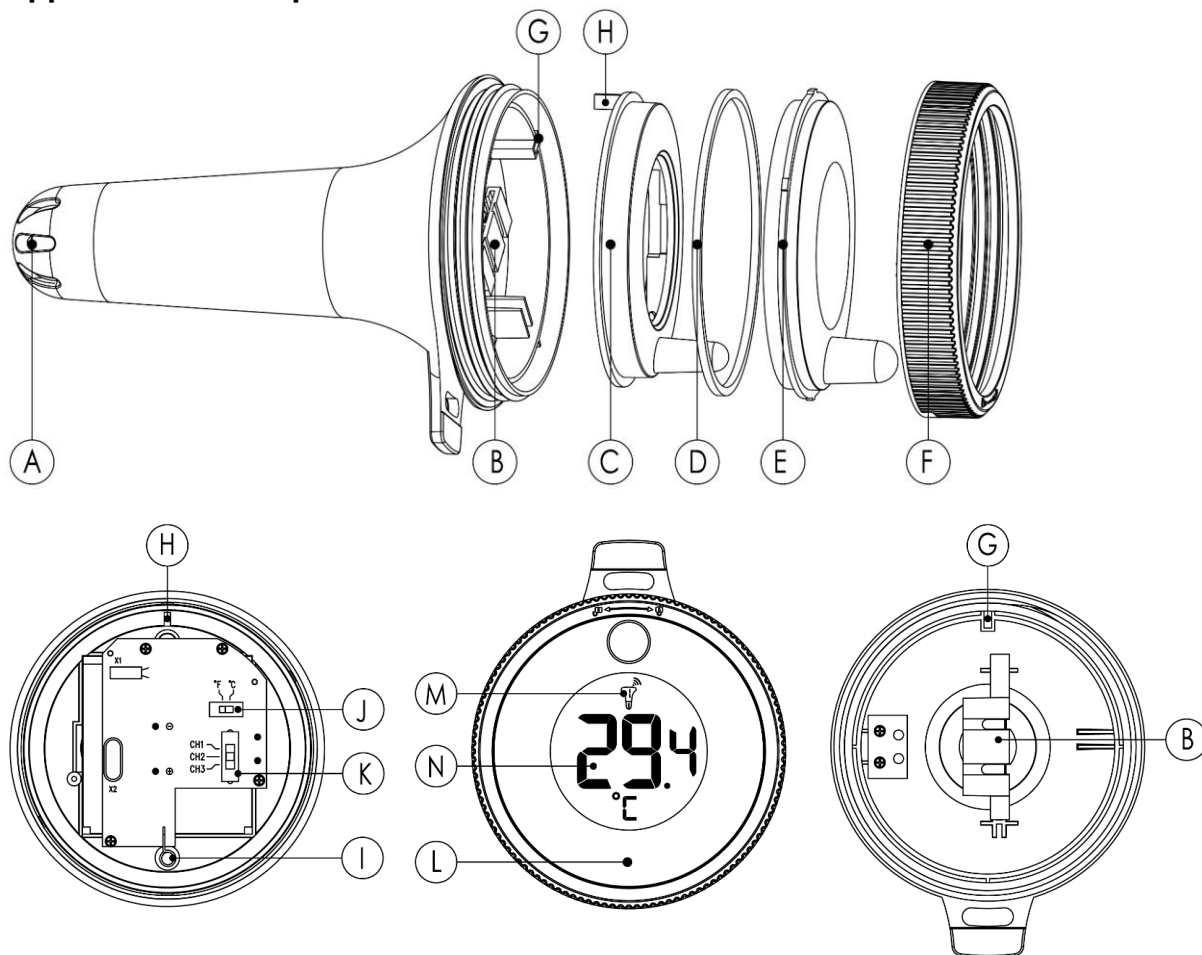


## Features:

- ▶ Swimming pool temperature detection
- ▶ 3 Channels selectable
- ▶ Temperature display in optional °C /°F
- ▶ Temperature measurement ranges: -40°C (-40°F) ~ 70°C (158°F)
- ▶ RF transmitting frequency: 433.92MHz
- ▶ Power Supply: 2 x LR03 size AAA

## Appearance description:



### TX

A: Temperature sensor

B: Battery box

C: Main control module

D: Waterproof rubber ring

E: Lens

F: Locking cover

G: Positioning pin A

H: Positioning pin B

I: Transmitting antenna

J: °C/°F selection switch

K: Channel selection switch

L: LED indicator for signal transmitting

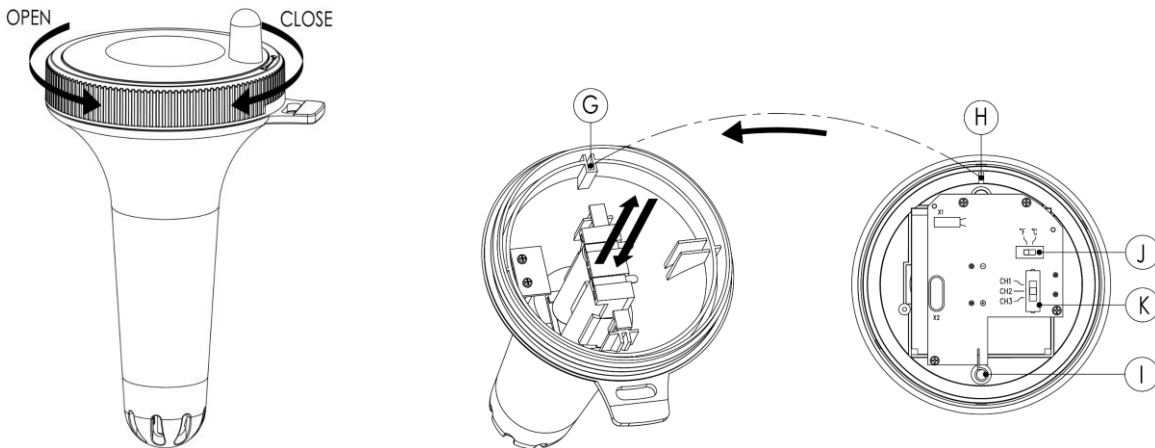
M: Channel

N: Temperature value

---

## Initial operation

- ▶ Open the battery box, Insert 2 x AAA batteries observing polarity 【 “+” and “-“ marks 】 , Choose the temperature unit and channel you need.
- ▶ The temperature unit °C/°F can be selected by turning the switch “J”, the channel can be selected by turning the switch “K”



- ▶ After disassembly, do not touch other components, especially the antenna “I” , pay attention to the direction of the slot when installing the battery box. After setting, align “H” with “G” , cover the lens and waterproof ring, and lock the cover tightly.
- ▶ This pairing mode only takes 3 minutes, if the pairing fails after more than 3 minutes, you need to press and hold the “CH” button for 2 seconds to re-enter 3 minutes pairing mode.
- ▶ After successful pairing, the remote sensor can be put into the swimming pool to detect its water temperature.

**This device complies with part 15 of the FCC Rules. Operation is subject to the following two conditions: (1) this device may not cause harmful interference, and (2) this device must accept any interference received, including interference that may cause undesired operation.**

**Any changes or modifications not expressly approved by the party responsible for compliance could void the user's authority to operate the equipment.**

**NOTE: This equipment has been tested and found to comply with the limits for a Class B digital device, pursuant to Part 15 of the FCC Rules. These limits are designed to provide reasonable protection against harmful interference in a residential installation. This equipment generates, uses and can radiate radio frequency energy and, if not installed and used in accordance with the instructions, may cause harmful interference to radio communications.**

**However, there is no guarantee that interference will not occur in a particular installation. If this equipment does cause harmful interference to radio or television reception,**

---

which can be determined by turning the equipment off and on, the user is encouraged to try to correct the interference by one or more of the following measures:

- Reorient or relocate the receiving antenna.
- Increase the separation between the equipment and receiver.
  - Connect the equipment into an outlet on a circuit different from that to which the receiver is connected.
- Consult the dealer or an experienced radio/TV technician for help.

The device has been evaluated to meet general RF exposure requirement. The device can be used in portable exposure condition without restriction