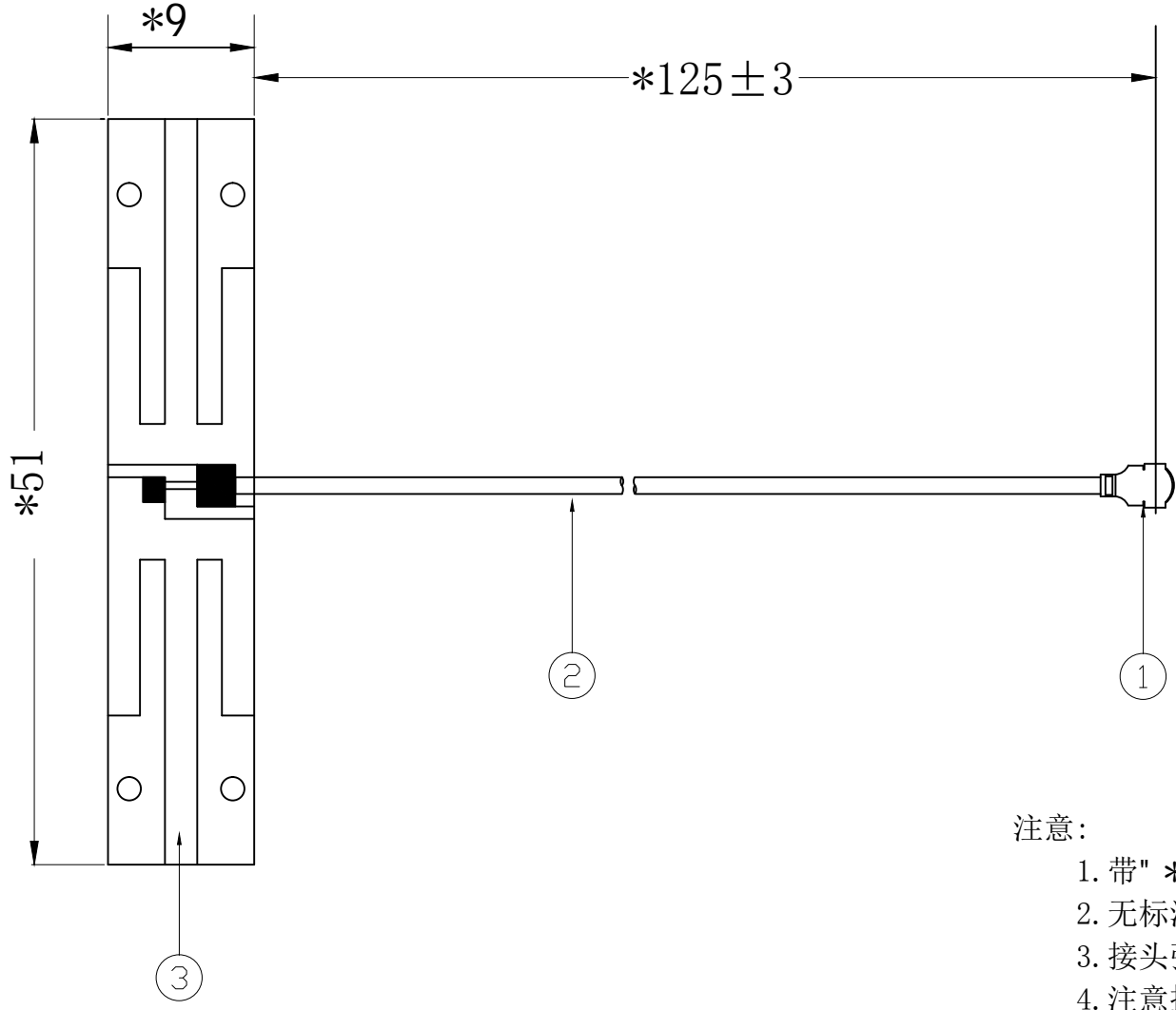


# 承认书项目表

| NO. | 内容<br>(Contents)       | 页数<br>(Number<br>of Page) | 页码<br>(Page<br>Code) |
|-----|------------------------|---------------------------|----------------------|
| 1   | 承认书封面 (Spec Cover)     | 1                         | 1                    |
| 2   | 承认书项目表 (Spec Item )    | 1                         | 2                    |
| 3   | 工程成品图 (Drawing)        | 1                         | 3                    |
| 4   | 电性测试报告 (Test Reports ) | 1                         | 4                    |
| 5   | S 参数测试 (S Parameter )  | 1                         | 5                    |
| 6   | 增益测试 (Gain Test )      | 1                         | 6                    |
| 7   |                        |                           |                      |
| 8   |                        |                           |                      |
| 9   |                        |                           |                      |
| 10  | -                      | -                         | -                    |
| 11  | -                      | -                         | -                    |
| 12  | -                      | -                         | -                    |

| SIGN | DATE | DESCRIPTION | APPROVER |
|------|------|-------------|----------|
| △    |      |             |          |
| △    |      |             |          |
| △    |      |             |          |



注意：

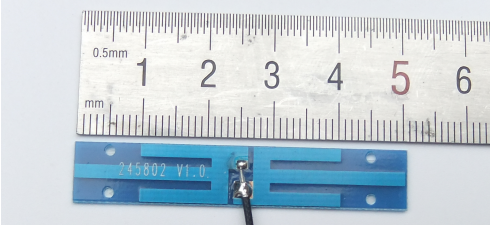
1. 带" \* "为重要尺寸
2. 无标注公差请参考公差详情
3. 接头强度>=1.0kg
4. 注意接头方向

|   |                    |                  |                                 |           |
|---|--------------------|------------------|---------------------------------|-----------|
| 东莞市脉讯电子有限公司<br>Dongguan Maixun Electronics Co., Ltd<br>405, Floor 4, No. 6, Qilin East Road, Daning Community, Humen Town,<br>Dongguan City<br>TITLE: Antenna |                    |                  |                                 |           |
| PART NO.: PW5109-113B-125IX   |                    |                  | DWG NAME: PW5109-113B-125IX.DWG |           |
| APPROVED BY   | CHECKED BY         | DESIGNED BY      |                                 | Tolerance |
| jeff<br>2017-07-05  | leon<br>2017-07-05 | YD<br>2017-07-05 | UNITS: mm                       | <br><br>  |
|   |                    |                  | SCALE: 1/1                      |           |
|   |                    |                  | REVISION: A                     |           |

|   |             |           |                           |      |
|---|-------------|-----------|---------------------------|------|
| 3 | PW5109      | PCB       | FR-4 51*9*T0.6mm          | 1    |
| 2 | RF1.13      | Cable     | CU, FEP, O.D.1.13mm Black | 1    |
| 1 | CI-113      | Connector | Cu, Au plated             | 1    |
|   | Part Number | Name      | Material                  | Q'ty |

# 电性测试报告

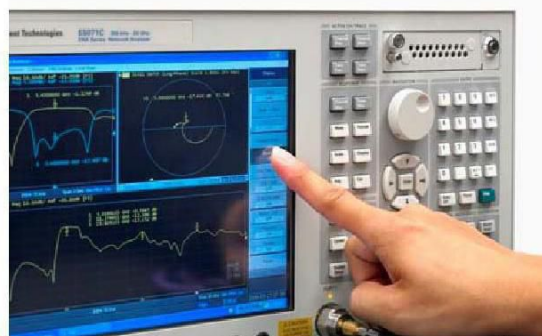
## Test Reports

|  |  |
|--|--|
| Sample Photo   |  |
|  |  |
| <b>A. Electrical Characteristics</b>   |  |
| Frequency  | 2400 ~ 2500 MHz<br>4900 ~ 5900 MHz                           |
| S.W.R.   | $\leq 2.5$ @ 2400 ~ 2500 MHz<br>$\leq 2.5$ @ 4900 ~ 5900 MHz |
| Antenna Gain   | $4.0 \pm 0.7$ dBi  |
| Impedance  | 50 Ohm Nominal   |
| Return Loss  | -10 dB Max   |
| Radiation  | Omni-directional   |
| Cable Loss   | 4.9 dB / m Max @ 5000 MHz                                    |
| Polarization   | Linear, Vertical   |
| Admitted Power   | 1 W  |
| Connector  | 13   |
| <b>Physical Properties</b>   |  |
| Antenna Material   | PCB  |
| Cable Type   | O.D. 1.13mm // 125 mm  |
| Operating Temp.  | -35 ~ +60 °C   |
| Storage Temp.  | -35 ~ +70 °C   |

# S 参数测试

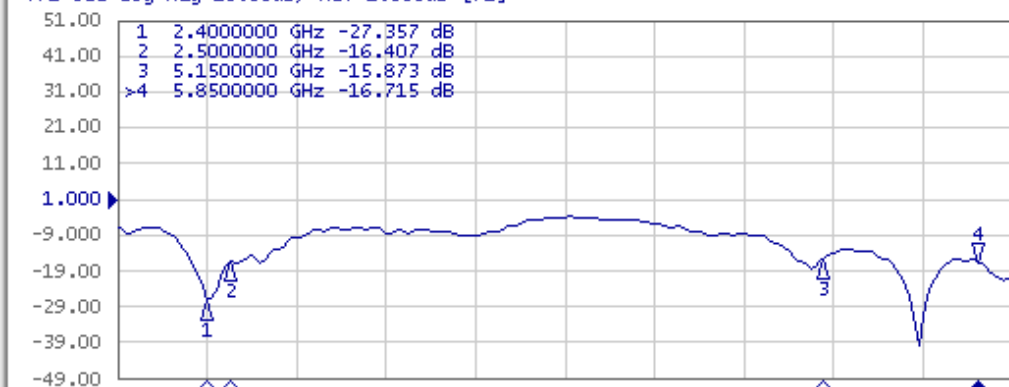
## S Parameter Test

*Agilent E5071C*

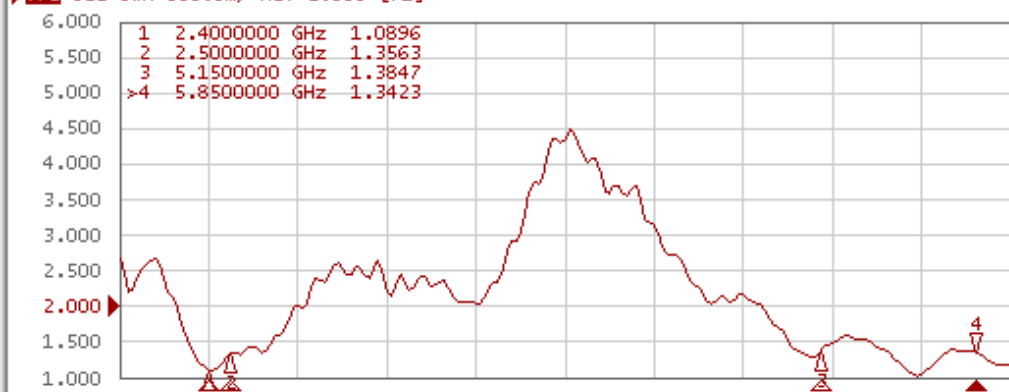


1 Active Ch/Trace 2 Response 3 Stimulus 4 Mkr/Analysis 5 Instr State

Tr1 S22 Log Mag 10.00dB/ Ref 1.000dB [F1]



Tr2 S22 SWR 500.0m/ Ref 2.000 [F1]



1 Start 2 GHz

IFBW 70 kHz

Stop 6 GHz

Cor !

Meas Stop ExtRef Ready Svc 2017-06-09 15:55

System

Print

Abort Printing

Printer Setup...

Invert Image

ON

Dump  
Screen Image...

Multiport Test Set  
Setup

Misc Setup

Backlight

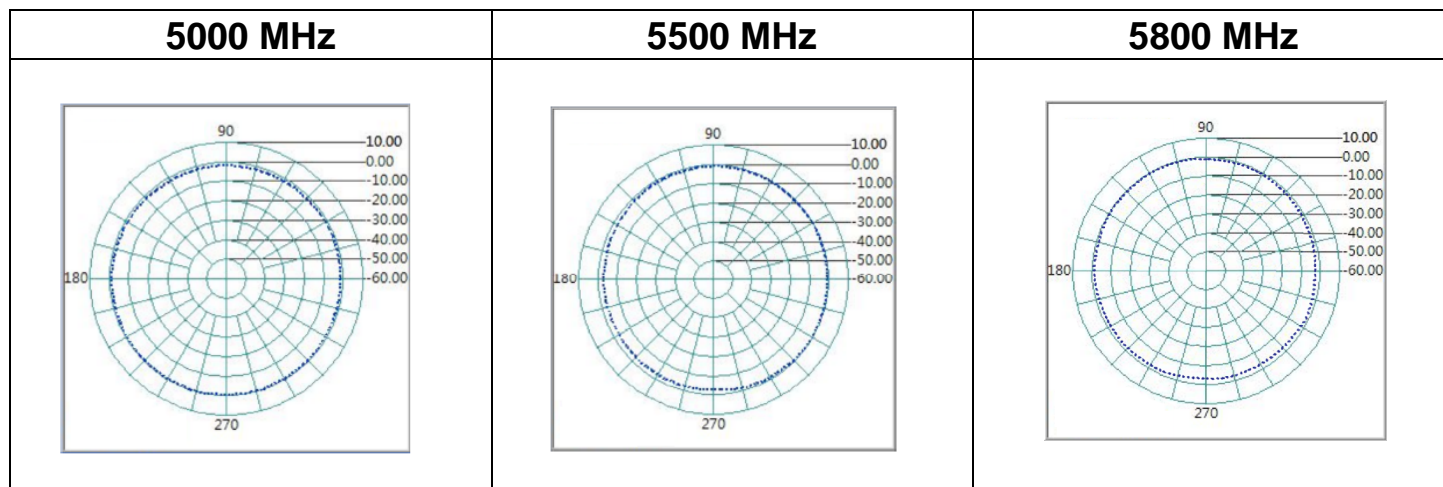
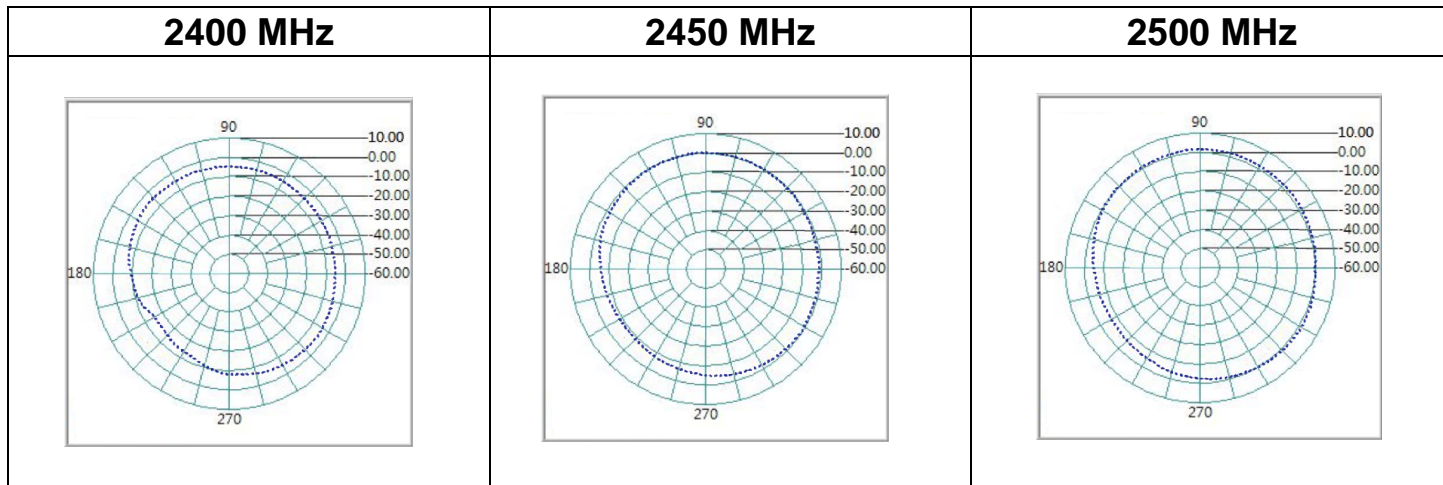
ON

Firmware  
Revision

Product Name: Antenna

### 5. Antenna - Radiation Pattern Test Data

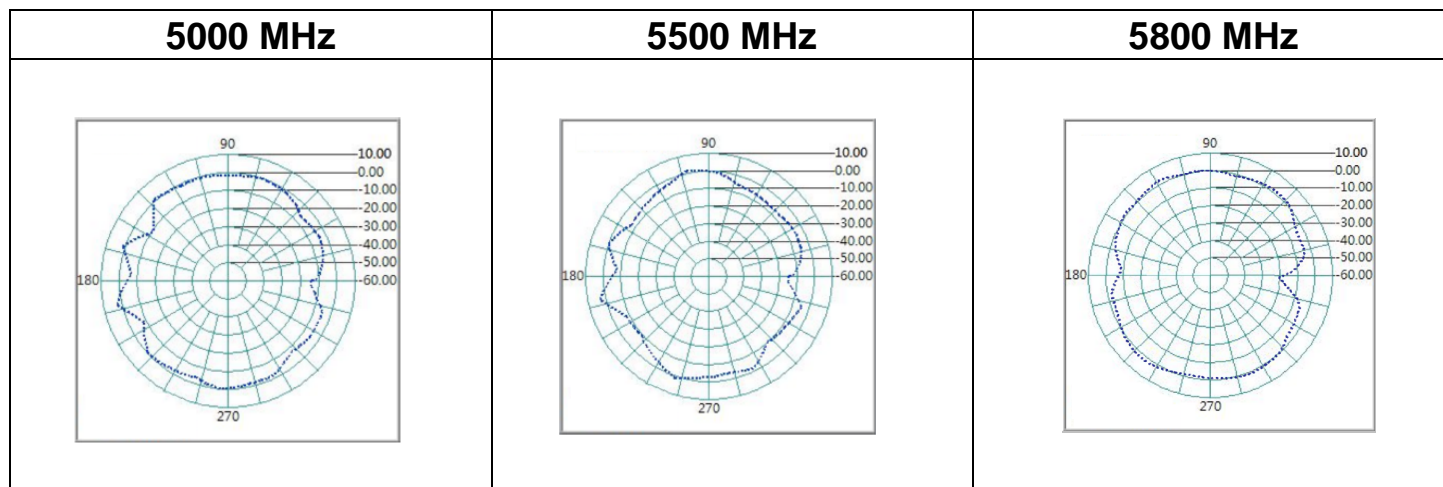
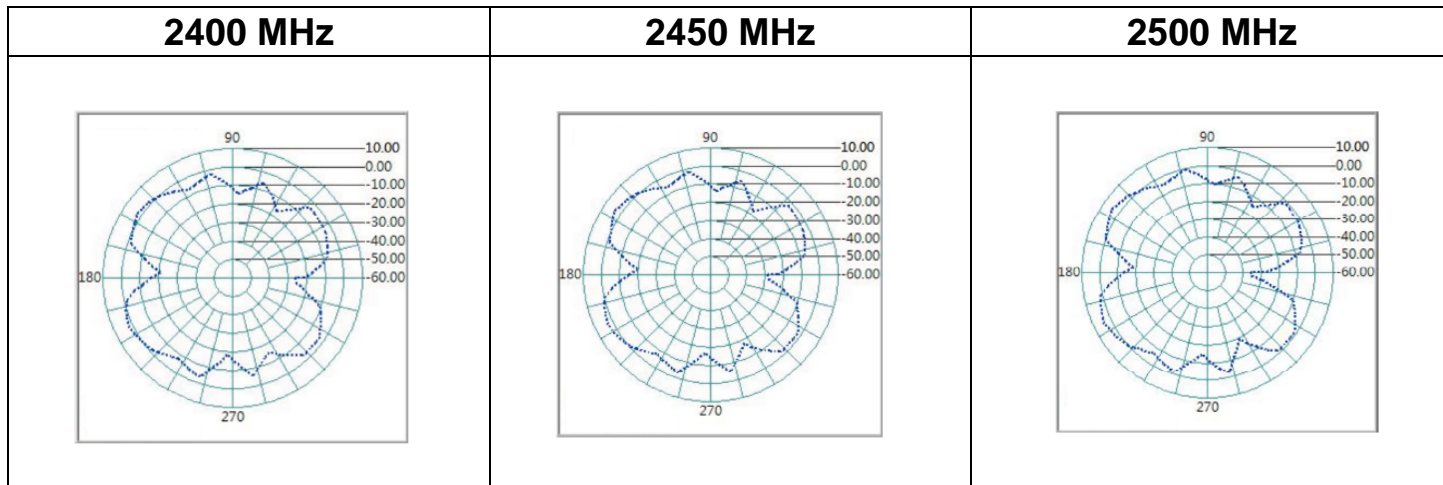
#### XY-PLANE



Product Name: Antenna

### 5. Antenna - Radiation Pattern Test Data

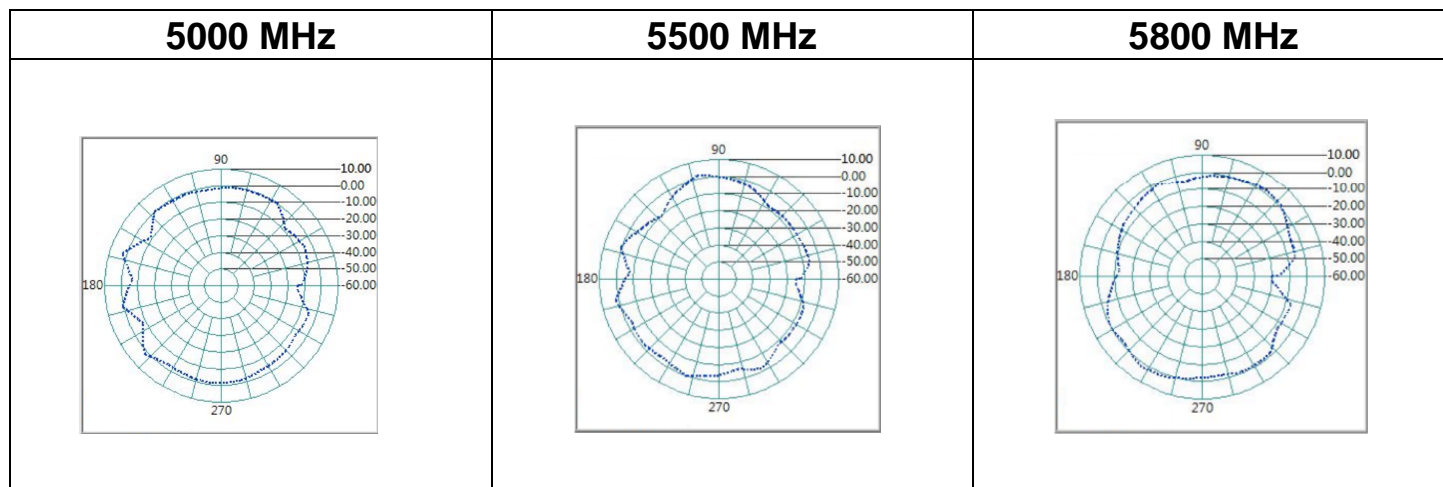
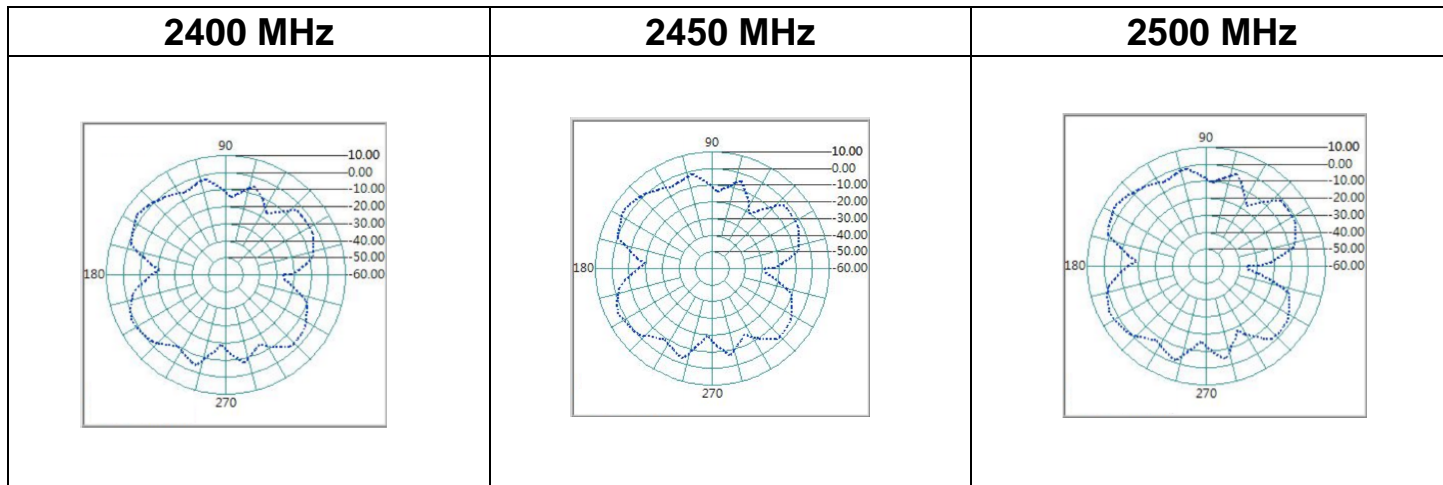
#### XZ-PLANE



Product Name: Antenna

### 5. Antenna - Radiation Pattern Test Data

#### YZ-PLANE



| Frequency      | 2400 | 2450 | 2500 | 5000 | 5500 | 5800 |
|----------------|------|------|------|------|------|------|
| Peak Gain(dbi) | 3.25 | 3.68 | 3.96 | 2.82 | 2.97 | 2.24 |