

# WIFI FPCB Antenna (W20B-L/R)

## 1. Explanation of Product Number

S	2	B	4	B	B	1	F	1	B	2	0	0	0	0
				(1)	(2)	(3)	(4)			(5)				



### Product Description:

(1) Product Categories:

B:BT Antenna

(2) Dimensions:

B3:28.6\*9.2\*0.12(mm)

(3) Material:

F: FPC

(4) Working Frequencies:

1B: 2.4G-2.5G

(5) Antenna Series:

01: Serial number

**Tolerances (Unless otherwise specified)**  
 X : ± 1      X.X : ± 0.1      X.XX : ± 0.01  
 Angle : ±      Hole Dia. : ±

深圳市世纪联发电子有限公司

Scale :	Unit: mm
Drawn By : Shelley	Checked By : Simon
Designed By :Simon	Approved By :Frank

THIS SPECIFICATION IS THE PROPERTY OF UNICTRON TECHNOLOGIES CORPORATION AND SHALL NOT BE REPRODUCED OR USED IN ALL CIRCUMSTANCES WITHOUT WRITTEN PERMISSION

TITLE: WIFI FPCB Antenna (W20-L/R)	PART NO.	S2B4BB1F1B20000	REV.
			B

## 2. Features

- \*Stable and reliable in performances
- \*RoHS compliance
- \*Low cost

## 3. Applications

- \*BT

## 4. Description

\* YINGFENMG FPCB antenna series are specially designed for 2.4G-2.5G band application. Based on YINGFENG proprietary designs and processes, this FPCB antenna has excellent stability and sensitivity to consistently provide high signal reception efficiency.

## 5. Antenna Electrical Specifications :

Characteristics	Specifications			Unit
Outline Dimensions	28.6*9.2*0.12			mm
Frequency	2400~2500			MHz
Impedance	50			$\Omega$
Polarization	Linear Polarization			
Return Loss Table	Return Loss			
Freq.Band	2.4G Hz	2.45G Hz	2.5G Hz	
dB	-16.98	-29.81	17.34	
VSWR Table	VSWR			
Freq.Band	2.4G Hz	2.45G Hz	2.5G Hz	
	1.32	1.08	1.29	
GAIN Table	Total Gain = Xpol + Ppol			
Freq.Band	2400MHz	2450MHz	2485MHz	2500MHz
Peak Gain(dBi)	1.02	1.15	1.24	1.23

Tolerances (Unless otherwise specified)  
X :  $\pm 1$       X.X :  $\pm 0.1$       X.XX :  $\pm 0.01$   
Angle :  $\pm$       Hole Dia. :  $\pm$

深圳市世纪联发电子有限公司

Scale :      Unit: mm  
Drawn By : Shelley      Checked By : Simon  
Designed By : Simon      Approved By : Frank

THIS SPECIFICATION IS THE PROPERTY OF UNICTRON TECHNOLOGIES CORPORATION AND SHALL NOT BE REPRODUCED OR USED IN ALL CIRCUMSTANCES WITHOUT WRITTEN PERMISSION

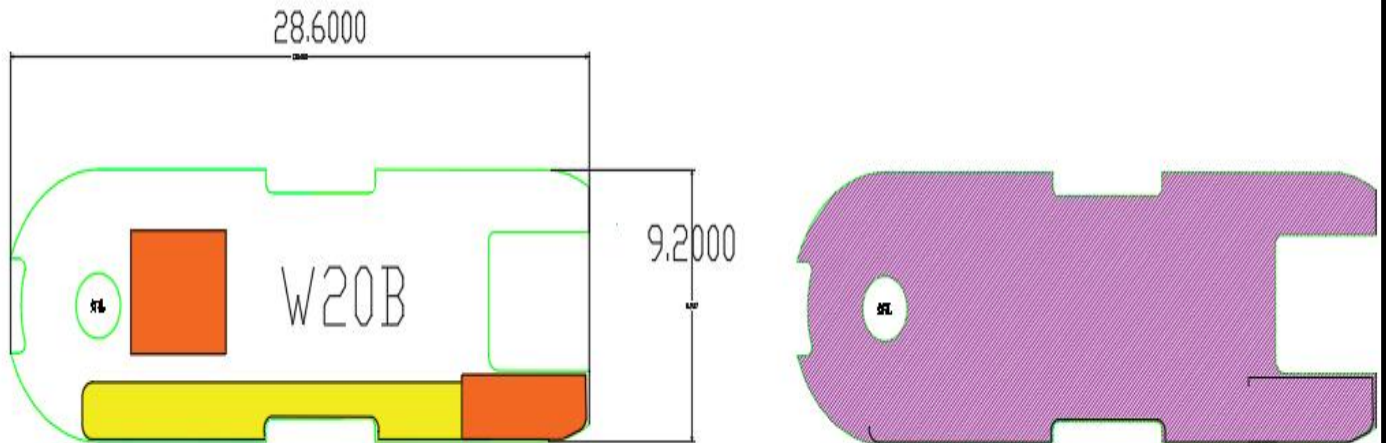
TITLE: WIFI FPCB Antenna (W20-L/R)

PART  
NO.

S2B4BB1F1B20000

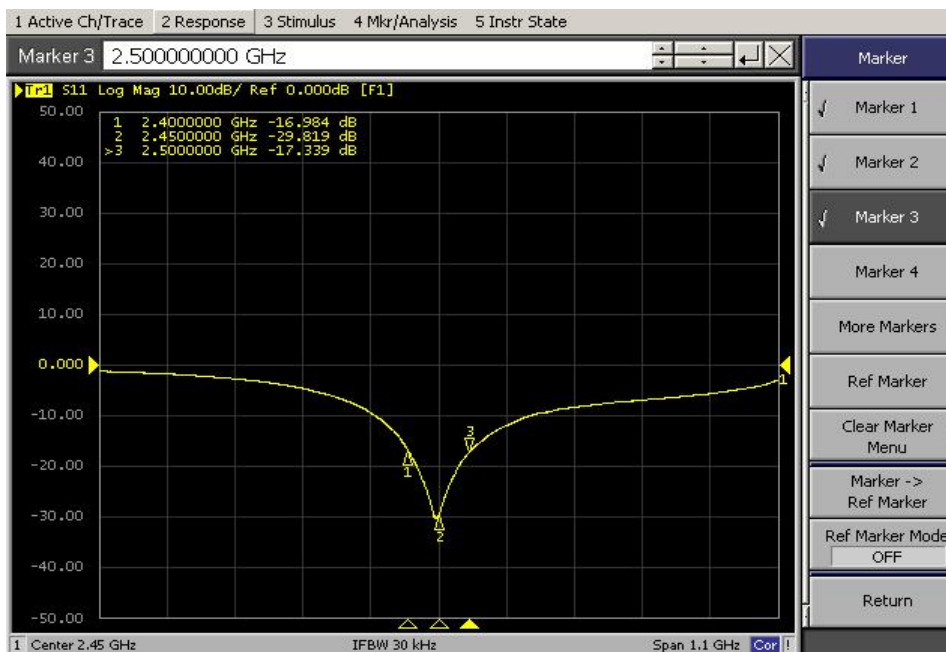
REV.  
B

## 6. Dimensions (unit: mm)



## 7. Measurement Characteristics:

### (1) Return Loss



### (2) VSWR

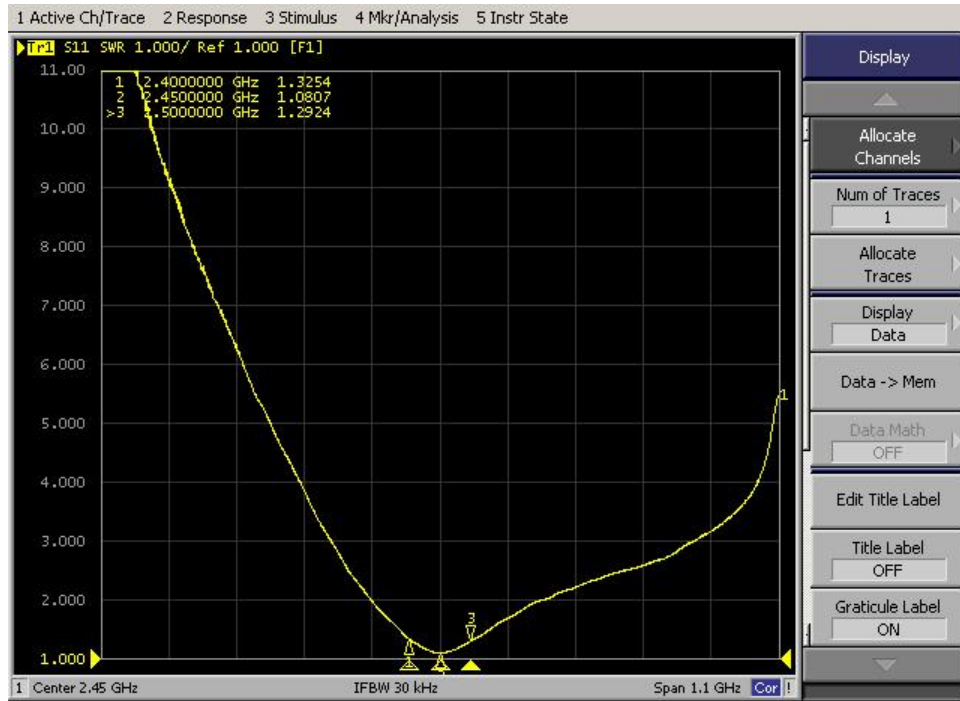
**Tolerances (Unless otherwise specified)**  
 X :  $\pm 1$       X.X :  $\pm 0.1$       X.XX :  $\pm 0.01$   
 Angle :  $\pm$       Hole Dia. :  $\pm$

Scale :      Unit: mm  
 Drawn By : Shelley      Checked By : Simon  
 Designed By : Simon      Approved By : Frank

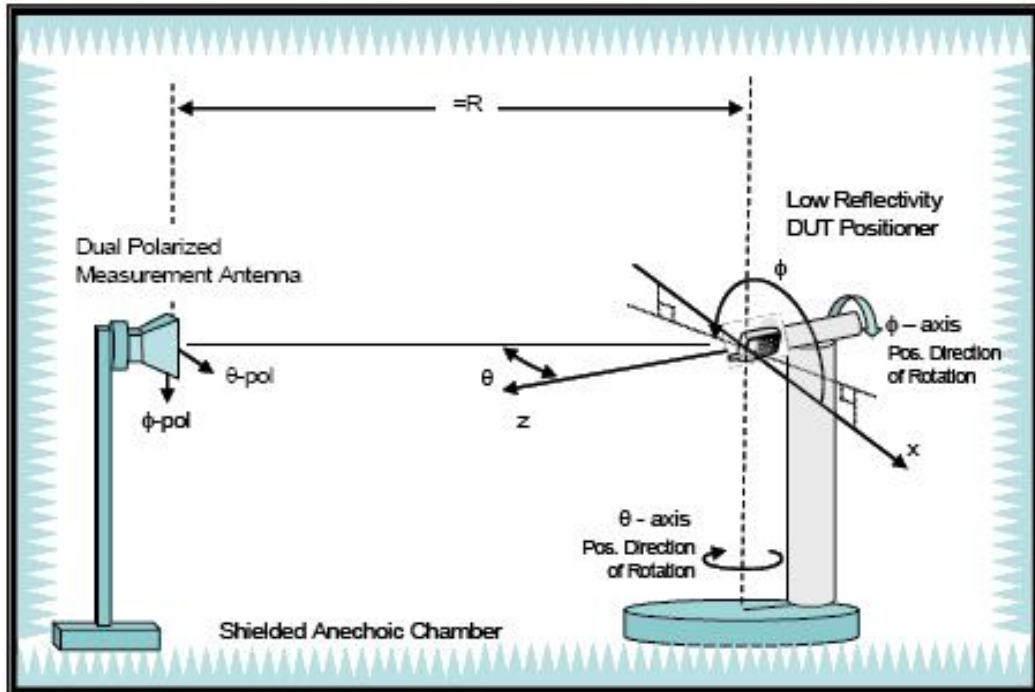
深圳市世纪联发电子有限公司

THIS SPECIFICATION IS THE PROPERTY OF UNICTRON TECHNOLOGIES CORPORATION AND SHALL NOT BE REPRODUCED OR USED IN ALL CIRCUMSTANCES WITHOUT WRITTEN PERMISSION

TITLE: WIFI PCB Antenna (W20-L/R)	PART NO.	S2B4BB1F1B20000	REV.
			B



## 8. Three D Radiation Pattern measurements



Tolerances (Unless otherwise specified)  
 X : ± 1      X.X : ± 0.1      X.XX : ± 0.01  
 Angle : ±      Hole Dia. : ±

Scale :      Unit: mm  
 Drawn By : Shelley      Checked By : Simon  
 Designed By : Simon      Approved By : Frank

深圳市世纪联发电子有限公司

THIS SPECIFICATION IS THE PROPERTY OF UNICTRON TECHNOLOGIES CORPORATION AND SHALL NOT BE REPRODUCED OR USED IN ALL CIRCUMSTANCES WITHOUT WRITTEN PERMISSION

TITLE: WIFI PCB Antenna (W20-L/R)

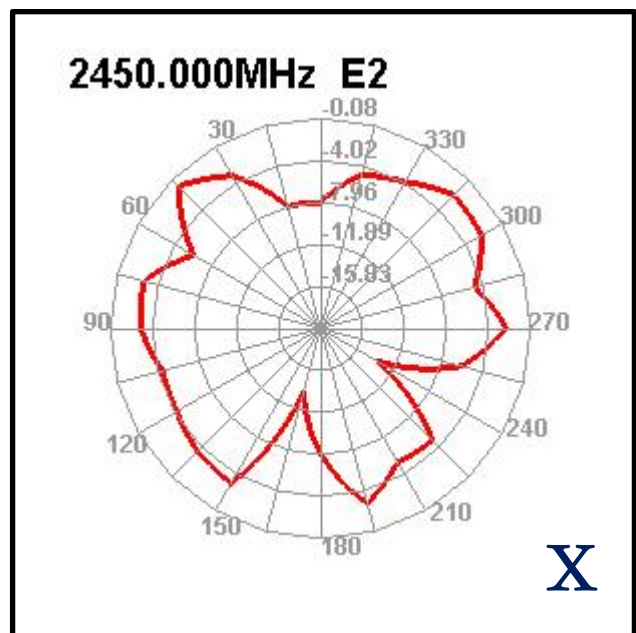
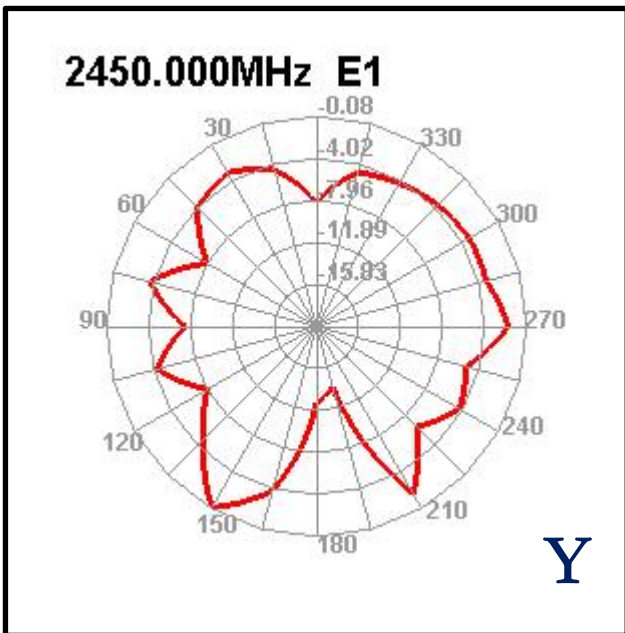
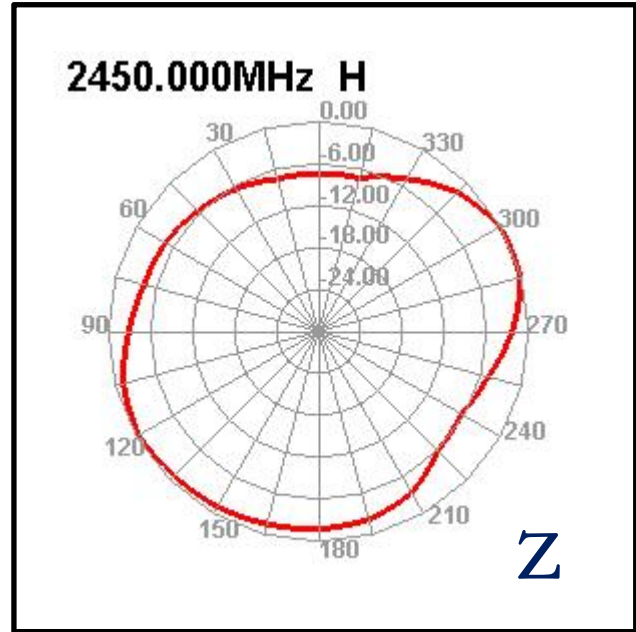
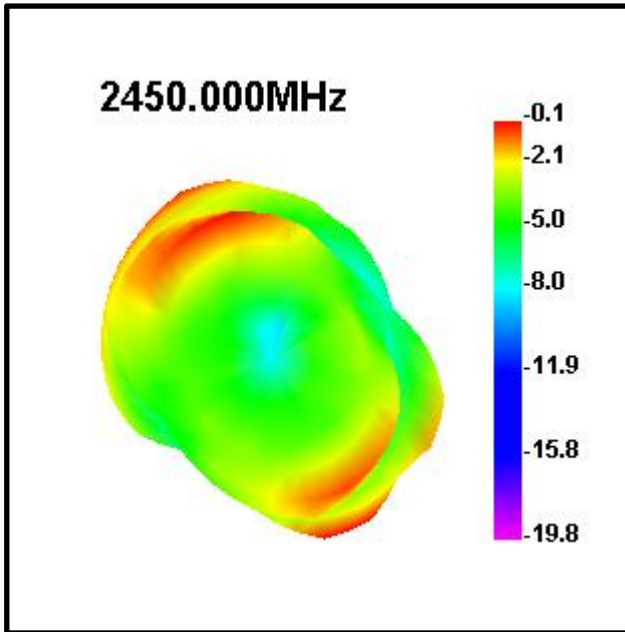
PART NO.

S2B4BB1F1B20000

REV.  
B

# 9.Radiation Pattern

## 9-1.2D Gain complete machine (Radiation Pattern at 2450 MHz)



**Tolerances (Unless otherwise specified)**  
 X : ± 1      X.X : ± 0.1      X.XX : ± 0.01  
 Angle : ±      Hole Dia. : ±

Scale :	Unit: mm
Drawn By : Shelley	Checked By : Simon
Designed By : Simon	Approved By : Frank

深圳市世纪联发电子有限公司

THIS SPECIFICATION IS THE PROPERTY OF UNICTRON TECHNOLOGIES CORPORATION AND SHALL NOT BE REPRODUCED OR USED IN ALL CIRCUMSTANCES WITHOUT WRITTEN PERMISSION

**TITLE:** WIFI FPCB Antenna (W20-L/R)

<b>PART NO.</b>	<b>S2B4BB1F1B20000</b>
-----------------	------------------------

<b>REV.</b>	<b>B</b>
-------------	----------

## 9-2.complete machine Efficiency Table

Frequency(MHz)	2400	2420	2450	2460	2480	2500
Efficiency (dB)	-2.22	-1.71	-2.09	-2.13	-2.24	-2.07
Efficiency (%)	27.9	29.3	30	29	28.7	26
Gain (dBi)	1.02	1.15	1.24	1.23	1.06	0.95

### 10.Revision Control:

Revision	Date	Content	Remark
A	2022-03-26	New Issued.	N/A

出货方式

#### Tolerances (Unless otherwise specified)

X : ± 1      X.X : ± 0.1      X.XX : ± 0.01

Angle : ±      Hole Dia. : ±

Scale :      Unit: mm

Drawn By : Shelley      Checked By : Simon

Designed By :Simon      Approved By :Frank

深圳市世纪联发电子有限公司

THIS SPECIFICATION IS THE PROPERTY OF UNICTRON TECHNOLOGIES CORPORATION AND SHALL NOT BE REPRODUCED OR USED IN ALL CIRCUMSTANCES WITHOUT WRITTEN PERMISSION

TITLE: WIFI FPCB Antenna (W20-L/R)

PART  
NO.

S2B4BB1F1B20000

REV.  
B