

Customer name: Shenzhen Aodehong Electronics Co., LTD

Customer part number: EXQ-APPLE0001

Material name: Wireless charging and transmitting coil

Brand name: Jelitong Technology

Specification and model: T25*23* 2.6 8.1uH 10%

edition: 1

Production lot/material number:

Sample delivery date: 2022-04-28

Sample signing date:

Customer recognition:				Supplier recognition:		
purchase	ENGINEER	examine	Comment	Work out	examine	Give permission
	RING			Chen Cuizhu	Li Shupo	Zhang Jun

Shenzhen Jielitong (Tuosheng) Technology Co., LTD

Phone: 0755-3361 6363

Fax: 0755-3306 5865

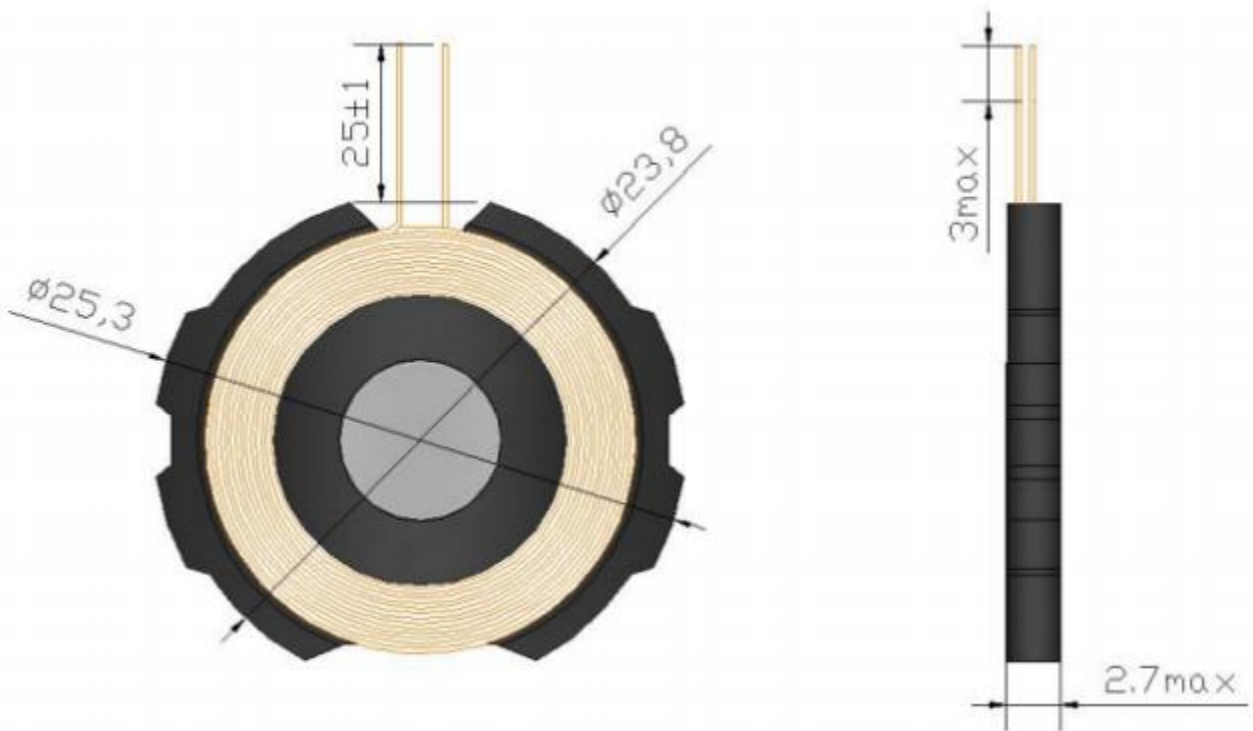
Contact: Zhang Jun 18926001820

Address: 5, Building C, No. 2, Xuexue Science Park North, Bantian Street, Longgang District, Shenzhen

1. Basic specification

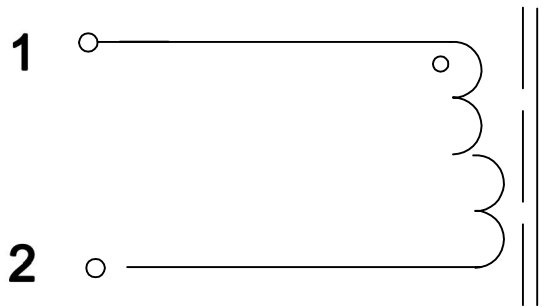
No.	Product	Model	apply	manufacturer	remark
1	Wireless charging transmitter coil	25*23*2.7			

2. Dimensions (unit :mm)



Operating frequency: 300kHz-350kHz
Antenna Gain:0 dBi

3. Schematic diagram



4. Winding technology

N0	winding	Wire gauge	Start	Tail	turns	rubber rings	Winding
1	N1	2UEW-0.08*24P	1	2	14Ts		
2							
3							
4							

5. Electrical property parameter

5.1 Test condition: Ambient humidity: 65±20%

Ambient temperature: 25±5 °C

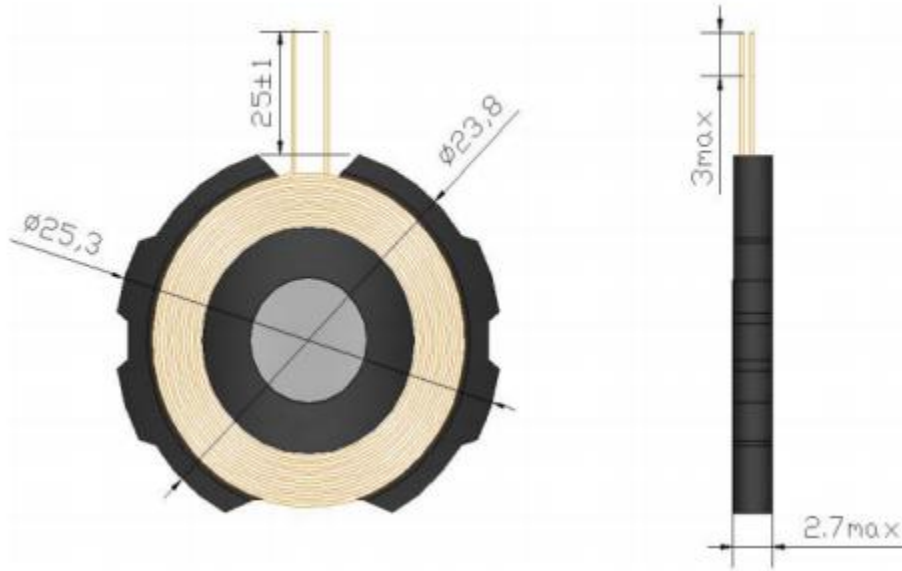
5.2 inductance: $L=8.1\mu\text{H} \pm 10\%$ at 100kHz, 1V; (Based on the number of turns) .

5.3 DCR: 70mΩ max

5.4 Max Current: 2.0A

5.5 Q value: 27 (min)

6. Construction



NO	Material Name
1	Rubber backing
2	Ferrite sheet
3	coil
4	
5	glue
6	Fixed adhesive paper