
Antenna specification

CUSTOMER:

CUST P/N:

FINE P/N:

G43-6.5UH Single coil 0.08*24P*2P*10TS

DESC:

Φ43.5MMX5.3MMX0.8MM

DATE:

2023.08.15

Version:

A.0

PREPARED BY	CHECKED BY	APPROVED BY	CUSTOMER APPROVE

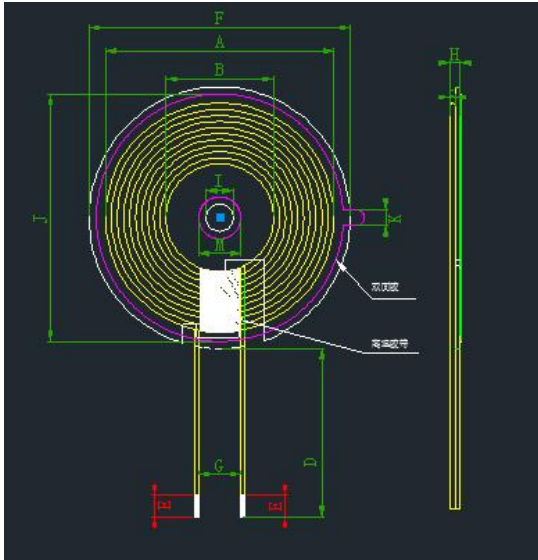
Shenzhen Sansheng Chuang electronic Technology Co., LTD

Factory address: 2nd Floor, No. 19, Dayang Road, Yulu Community, Yutang Street, Guangming District, Shenzhen

SPECIFICATION

DESC	Φ20.5x40-6.5uH-0.8x24P-30mm	Rev: A.0	CUST:	XXX
			CUST P/N:	

1、DIMENSION:(mm)

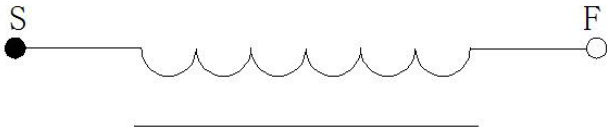


A	40±1
B	20.5±0.5
C	1.25
D	30±2
E	3±2
F	43.5±0.5
G	10
H	1.8
I	5.3 ±0.5
M	8.0
J	42±1
K	3.0±1

Note:

1. Cross out wire;
2. Wrap 8mm(ref) width high-temperature adhesive paper 1-2Ts around the outlet position;
3. The coil is attached to the circular hard magnetic disc with groove, the magnetic disc size is 43.5±0.5mm, the inner hole is 5.3mm, and the thickness is 0.8±0.1

2、SCHEMATIC DIAGRAM:



For phone/headphone: 113kHz-205kHz

Antenna gain: 0dBi

3、Winding Specification:

NO.	TERMINAL		WIRE	Turns	Winding Direction
1	S	F	Hot air wire 0.08*24P	10Ts	CCW

4、ELECTRICAL CHARACTERISTICS:

TEMPERATURE:25±10°C, RELATIVE HUMIDITY:65±20%

NO.	ITEM	TERMINAL	SPECIFICATION	TEST FREQUENCY	TEST EQUIPMENTS
1	IND.	S-F	4.0uH ±10%	100KHz/1.0V	LCZ METER 1062B
2	IND.	S-F	6.5uH ±10%	100KHz/1.0V	LCZ METER 1062B
3	DCR	S-F	≤80m Ω	100KHz/1.0V	LCZ METER 502B
4	Q	S-F	≥42	100KHz/1.0V	LCZ METER 502B

PREPARED BY/DATE	CHECKED BY/DATE
2023.08.15	2023.08.15