

Verisure Innovation AB, 556723-5329

BOX 392

201 23 MALMÖ

Sweden



GWL-KF-WR

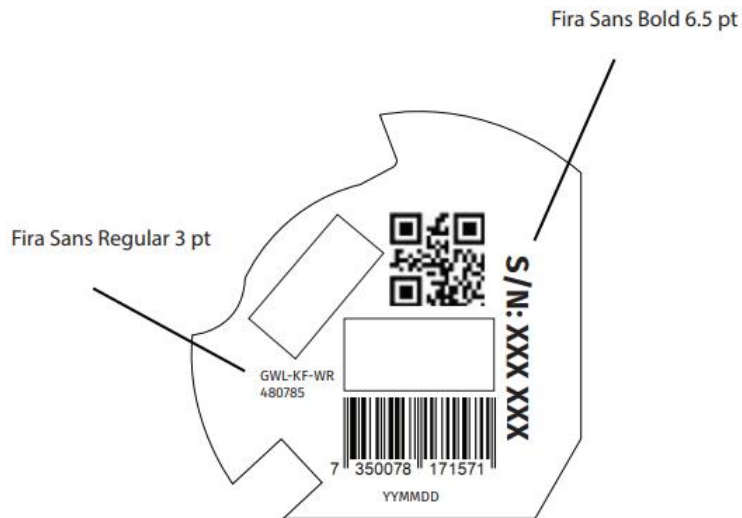
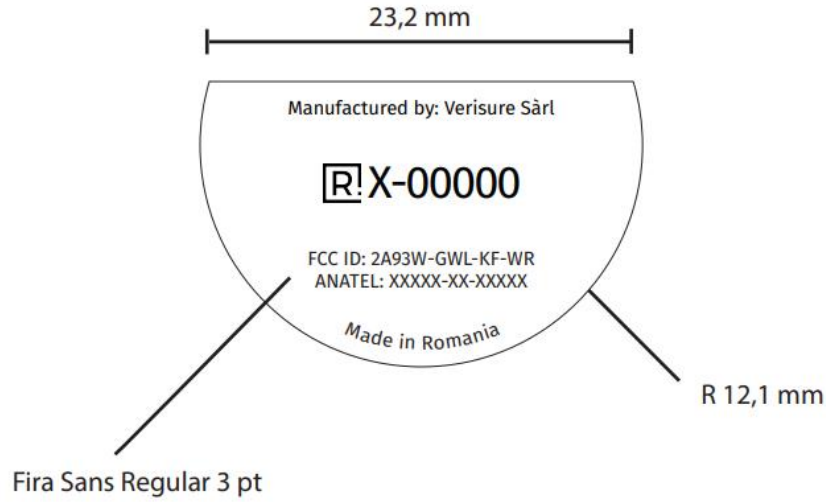
PRODUCT LABEL SPECIFICATION

CONFIDENTIAL

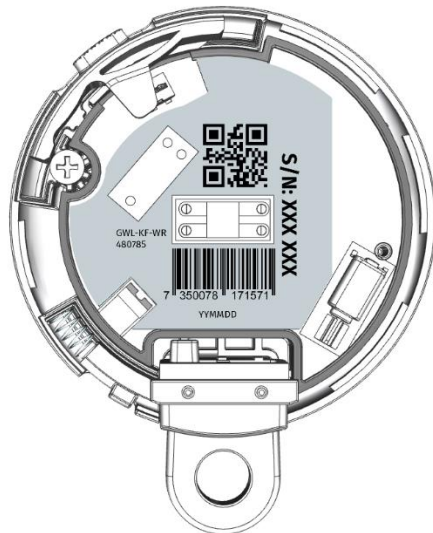
1. DOCUMENT INFORMATION

The purpose of this document is to describe the product label for the Keyfob (GWL-KF-WR) in terms of design and content.

2 VISUAL EXAMPLE



3 VISUAL APPEARANCE AND POSITION

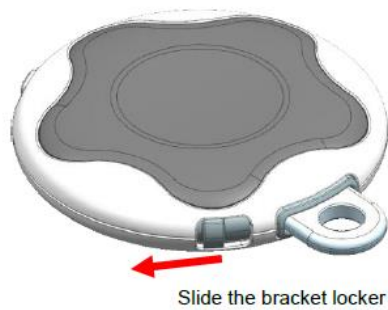


4 ADDITIONAL NOTES

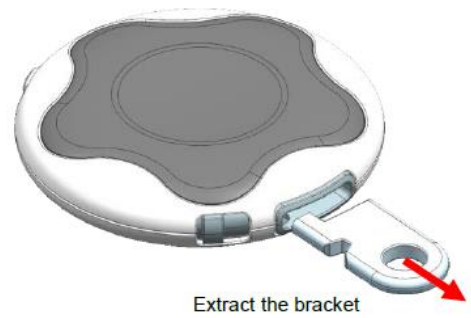
The labels are in the battery tray compartment and on the lid of the device which is accessible by using the **bracket tool** that is integrated as part of the device (no external tool required).

Below you will find an illustration on how to open the device to access the battery tray.

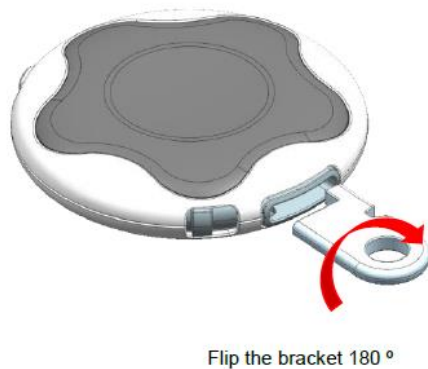
1



2



3



4

