

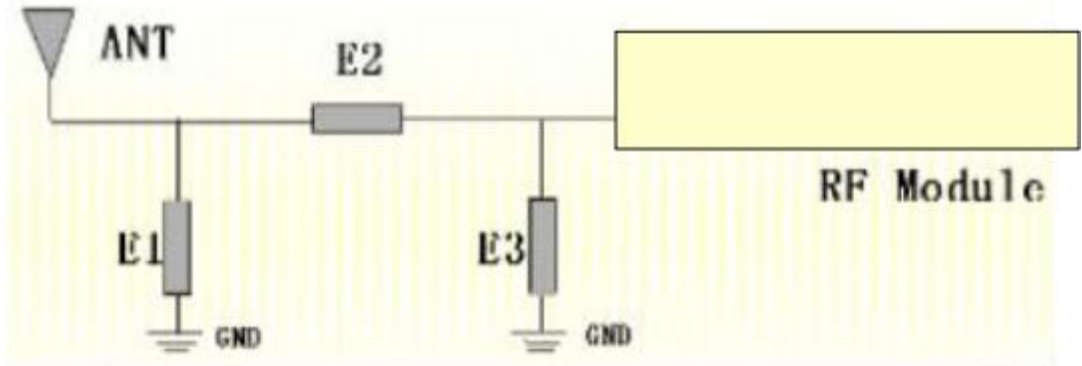
## Antenna test report

◆Project name	
◆Customer	BYM
◆test frequency	BT (2.4G)
◆Antenna material	PVB
◆Product name	BAND
◆Material Science	Metal
◆Testers	liuq ingyun
◆Consulting phone	
◆date	2019. 8. 21

# Antenna appearance



# Antenna circuit matching description

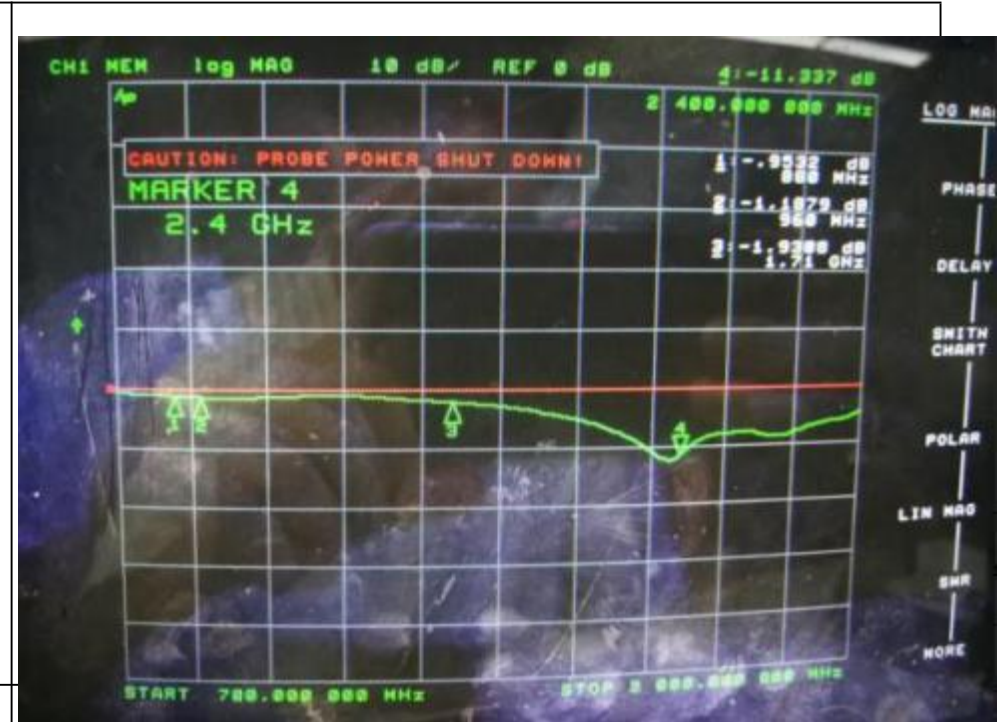


matching	parameter	
E1(0402)	10nH	
E2(0402)	1pF	
E3(0402)	3.9nH	

# Passive antenna test



SWR



Return loss

frequency	SWR
2400	1.74

frequency	Return loss
2400	-11.33db

# Passive antenna efficiency test ( antenna 2.4G-3D- benefit )

<b>FEITUKEJI</b>											
Frequency ID	1	2	3	4	5	6	7	8	9	10	11
Frequency (MHz)	2400.0	2410.0	2420.0	2430.0	2440.0	2450.0	2460.0	2470.0	2480.0	2490.0	2500.0
Point Values											
Ant. Port Input Pwr. (dBm)	0.00	0.00	0.00	0.00	0.00	0.00	0.00	0.00	0.00	0.00	0.00
<b>Tot. Rad. Pwr. (dBm)</b>	<b>-5.10</b>	<b>-5.11</b>	<b>-5.30</b>	<b>-5.48</b>	<b>-5.58</b>	<b>-5.57</b>	<b>-5.56</b>	<b>-5.46</b>	<b>-5.49</b>	<b>-5.41</b>	<b>-5.10</b>
Peak EIRP (dBm)	-0.88	-0.84	-1.02	-1.11	-1.23	-1.17	-1.08	-0.94	-0.86	-0.81	-0.48
Directivity (dBi)	4.22	4.27	4.29	4.37	4.35	4.40	4.47	4.52	4.64	4.60	4.62
Efficiency (dB)	-5.10	-5.11	-5.30	-5.48	-5.58	-5.57	-5.56	-5.46	-5.49	-5.41	-5.10
Efficiency (%)	30.90	30.90	29.50	28.30	27.70	27.70	27.80	28.50	28.20	28.80	30.90
Gain (dBi)	-0.88	-0.84	-1.02	-1.11	-1.23	-1.17	-1.08	-0.94	-0.86	-0.81	-0.48
NHPRP $\pm$ Pi/4 (dBm)	-6.23	-6.23	-6.48	-6.63	-6.72	-6.65	-6.49	-6.27	-6.26	-6.17	-5.91
NHPRP $\pm$ Pi/6 (dBm)	-7.63	-7.63	-7.88	-8.03	-8.13	-8.06	-7.91	-7.68	-7.68	-7.60	-7.34
NHPRP $\pm$ Pi/8 (dBm)	-9.72	-9.73	-9.95	-10.13	-10.22	-10.16	-10.02	-9.80	-9.81	-9.74	-9.49
Upper Hem. PRP (dBm)	-8.90	-8.92	-9.12	-9.30	-9.40	-9.41	-9.41	-9.35	-9.41	-9.34	-9.05
Lower Hem. PRP (dBm)	-7.44	-7.44	-7.63	-7.81	-7.91	-7.88	-7.86	-7.74	-7.75	-7.66	-7.35
Upper Hem. PRP (%)	12.88	12.83	12.24	11.75	11.48	11.45	11.44	11.62	11.46	11.64	12.45
Lower Hem. PRP (%)	18.02	18.03	17.25	16.54	16.20	16.29	16.39	16.84	16.78	17.12	18.42

# Contrast data diagram of antenna measured ( 10 meters distance )

