

深圳市一线通线缆有限公司

天线规格承认书

Antenna Specification for Approval

客户名称

CustomerName: 深圳市魔样科技有限公司_____

产品名称: _

ProductName: _____ 2.4G天线 全长22mm红色

客户型号:

ProductNo.: _____

产品料号:

PartNO.: _____ C10- 35-2.5

制表:

WriteBy: 庄杰彬

日期:

IssuedDate: _____ 2021- 8- 18

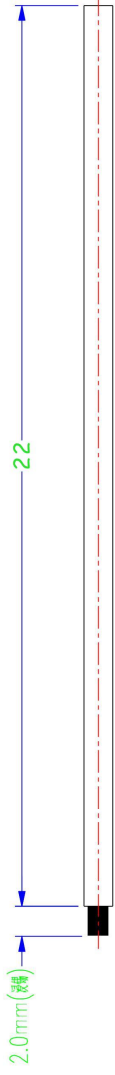
客 户:

工程 <i>R&D Dept</i>	采购 <i>Business Dept</i>	承认 <i>Approved By</i>

一 线 通

研发 <i>R&D Dept</i>	工程 <i>Engineer Dept</i>	审核 <i>Approval</i>
庄彩虹	庄杰彬	庄杰彬

Ø0.6 19p



Product Specification

A. Electrical Characteristics

Frequency 2400MHz

~2500MHz VSWR<3.0

Efficiency >30%

Impedance 50

Ohm Polarization

Line Gain

0DBi

B. Material & Mechanical Characteristics

Material of Radiator Cu

Cable Type 1.0 19P_黑

色 Connector Type : NO

Dimension

C. Environmental

Operation Temperature - 30 °C ~ + 80

°C Storage Temperature - 30°C ~ +

85°C

Test Equipment & Conditions

1. Network Analyzers:

Agilent 8753D5071B

2. Communications Test Set:

Agilent E5515C

3. 3D Chamber Test System

Efficiency&Gain

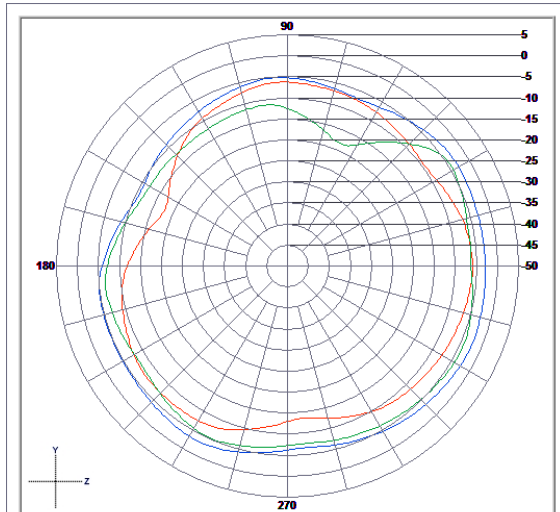
Efficiency&Gain

2.40 - 0.00

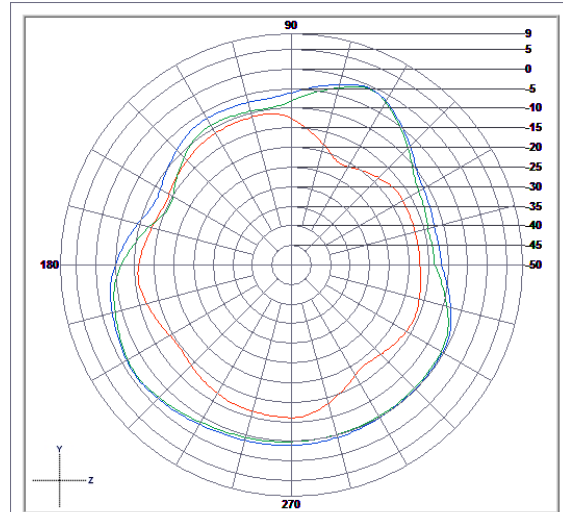
2.440 - 0.11

2.48 - 0.13

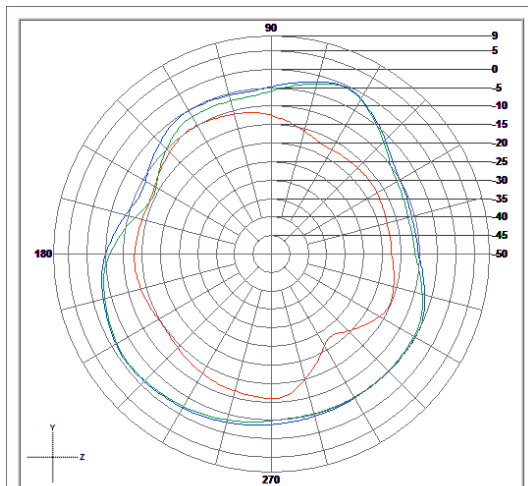
Radiation Pattern:



	Vertical	Horizontal	Total
Avg. Gain	-8.4	-6.99	-4.63
Peak Gain	-5.48	-3.77	-2.17



	Vertical	Horizontal	Total
Avg. Gain	-13.34	-5.06	-4.46
Peak Gain	-10.3	0.09	0.12



	Vertical	Horizontal	Total
Avg. Gain	-13.42	-4.6	-4.06
Peak Gain	-9.47	0.1	0.17

