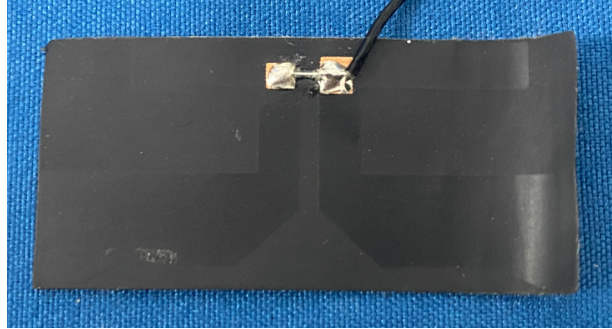


Antenna

Features

- ❖ Wide bandwidth
- ❖ 2.4G&5G WIFI
- ❖ RoHS compliant
- ❖ FPC antenna

Size: 34*14mm



Applications

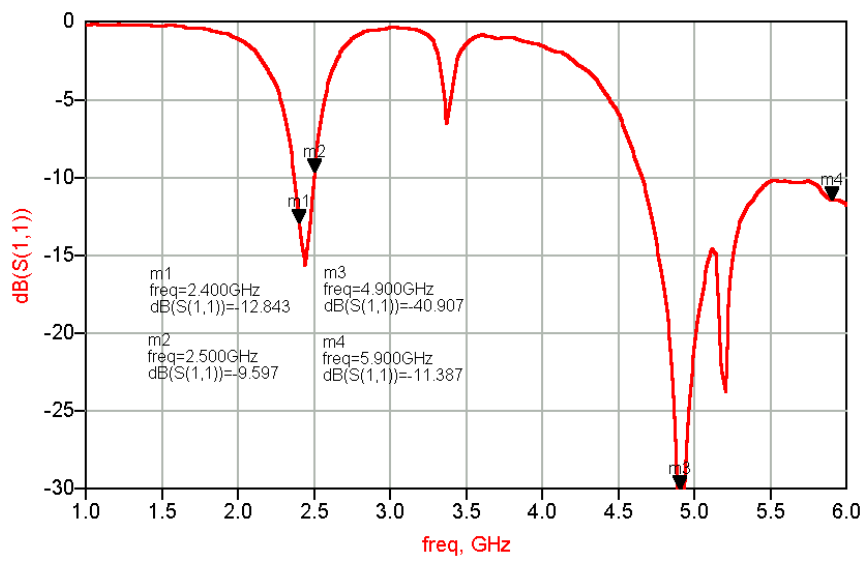
- ❖ Dual-band 2.4/5.5 GHz WLAN

Specifications

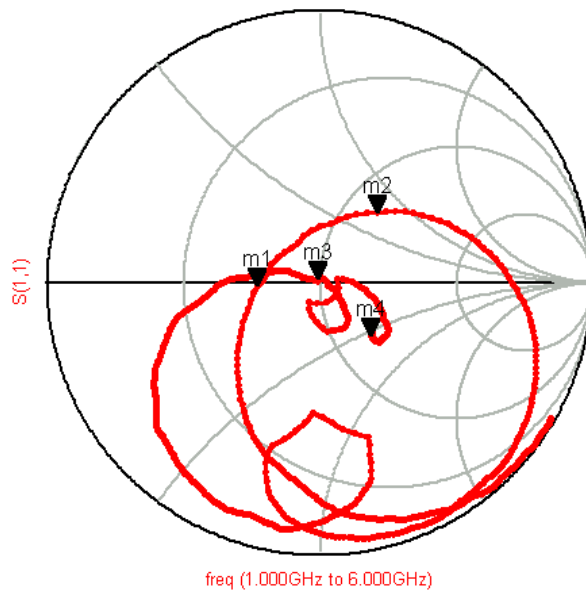
Part Number	Frequency Range (MHz)	Peak Gain	Average Gain	VSWR	Impedance
2.4G&5G-B200	2400~2500	1.0 dBi typ. (XZ-V)	-2.5 dBi typ. (XZ-V)	2.2 max.	50 Ω
	4900~5875	1.0 dBi typ. (YZ-V)	-2.5 dBi typ. (YZ-V)	2.2 max.	50 Ω

Q'ty/Box (pcs) : 100pcs
Operating Temperature Range : -40 ~ +85 °C
Storage Temperature Range : -40 ~ +85 °C
Storage Period : 12 months max.
Power Capacity : 2W max.

❖Return circuits)

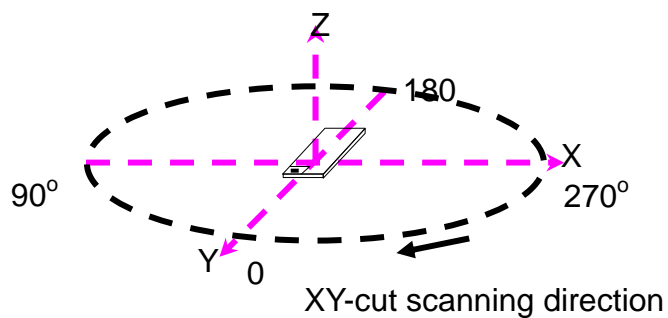


Loss (with matching

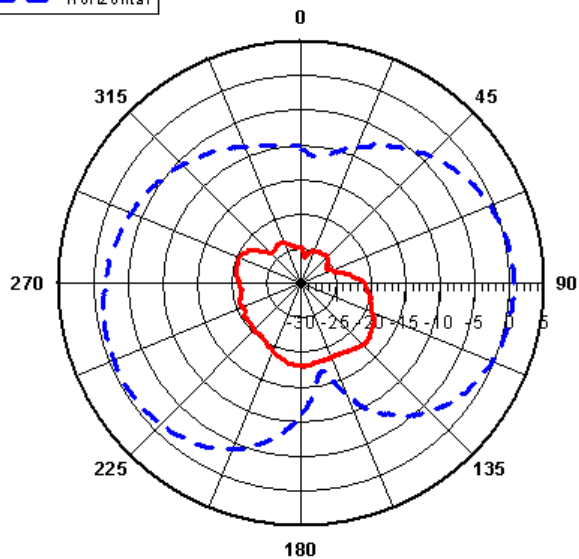


❖ Radiation Patterns

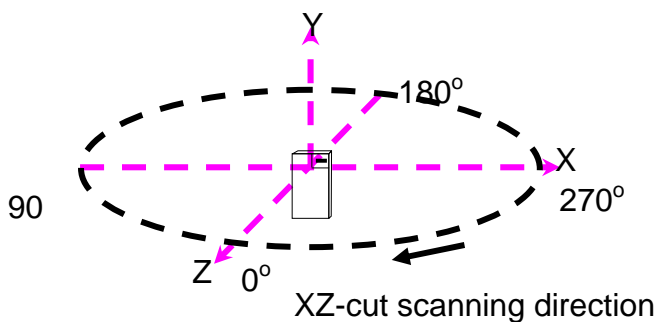
XY-V/XY-H



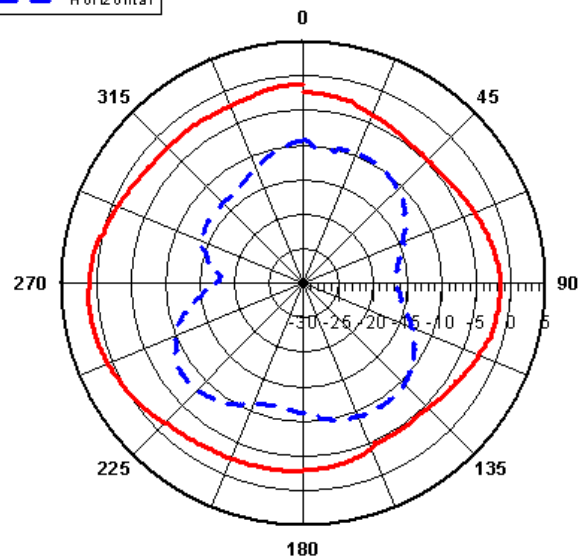
XY cut @ 2.45 GHz
 — Vertical
 - - Horizontal



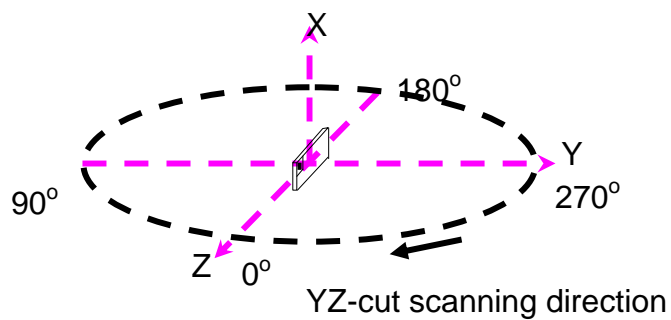
XZ-V/XZ-H



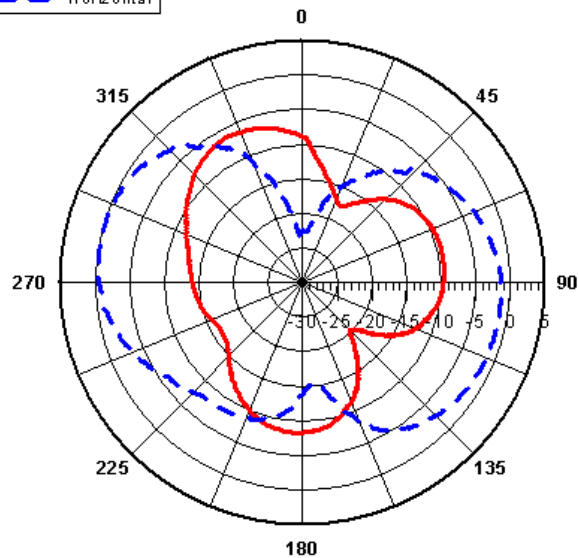
XZ cut @ 2.45 GHz
 — Vertical
 - - Horizontal



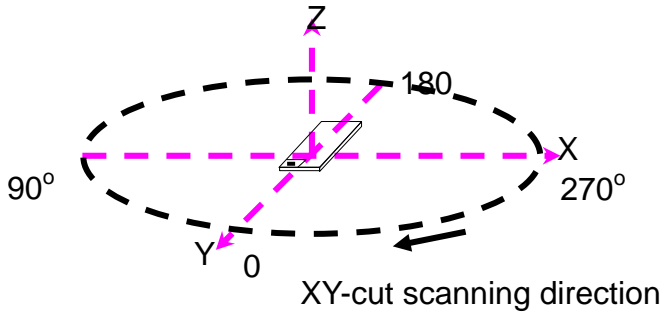
YZ-V/YZ-H



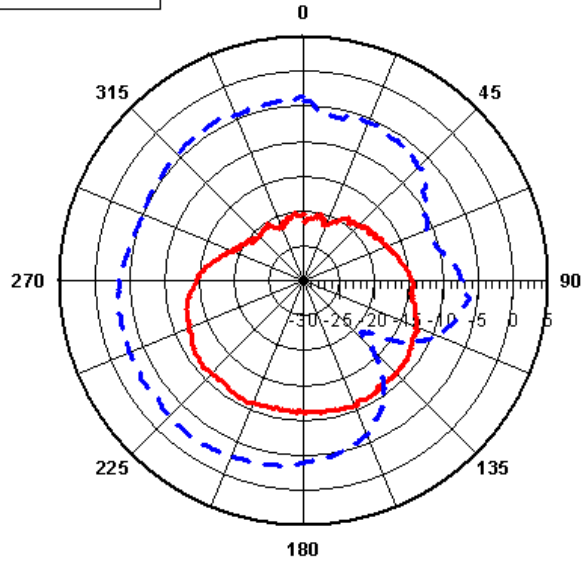
YZ cut @ 2.45 GHz
 — Vertical
 - - Horizontal



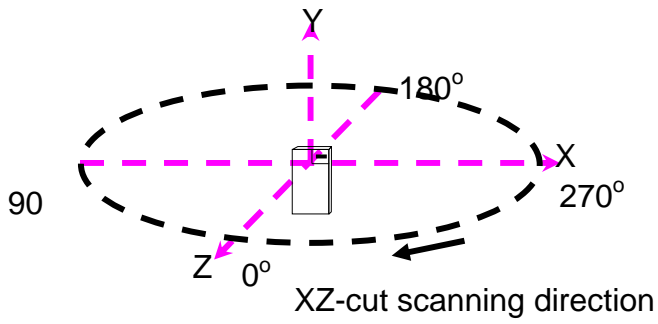
XY-V/XY-H



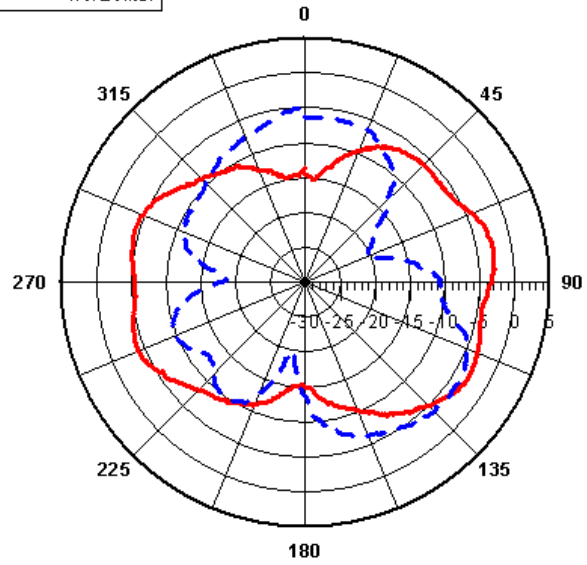
XY cut @ 5.40 GHz
 — Vertical
 - - Horizontal



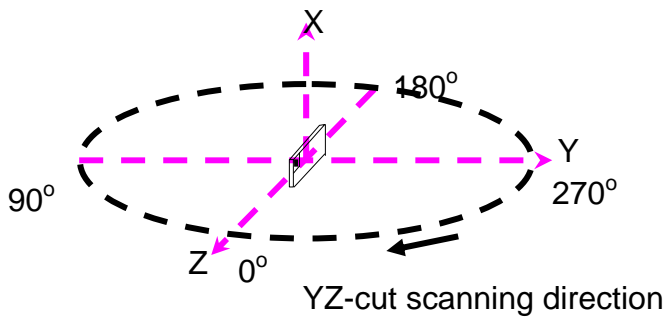
XZ-V/XZ-H



XZ cut @ 5.40 GHz
 — Vertical
 - - Horizontal



YZ-V/YZ-H



YZ cut @ 5.40 GHz
 — Vertical
 - - Horizontal

