



承认书项目表

NO.	内容 (Contents)	页数 (Number of Page)	页码 (Page Code)
1	承认书封面 (Spec Cover)	1	1
2	承认书项目表 (Spec Item)	1	2
3	产品图片 (Sample Photo)	1	3
4	工程成品图 (Drawing)	1	4
5	电性测试报告 (Test Reports)	1	5
6	S参数测试 (S Parameter)	1	6
7	增益测试 (Gain Test)	1	7
8	N/A	N/A	N/A
9	-	-	-
10	-	-	-
11	-	-	-
12	-	-	-



产品图片

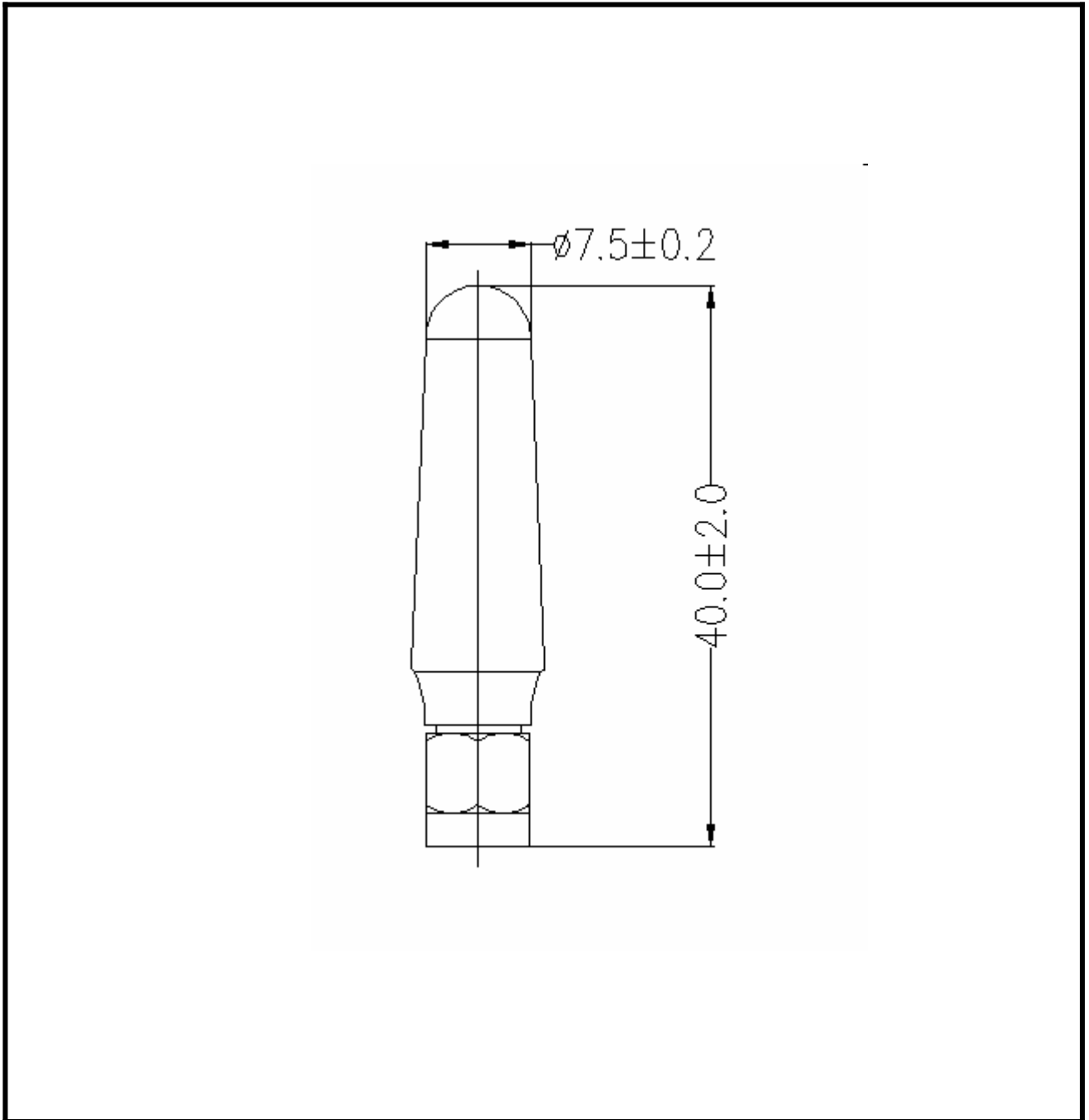
Sample Photo





产品图纸

Drawing





电性测试报告

Test Reports

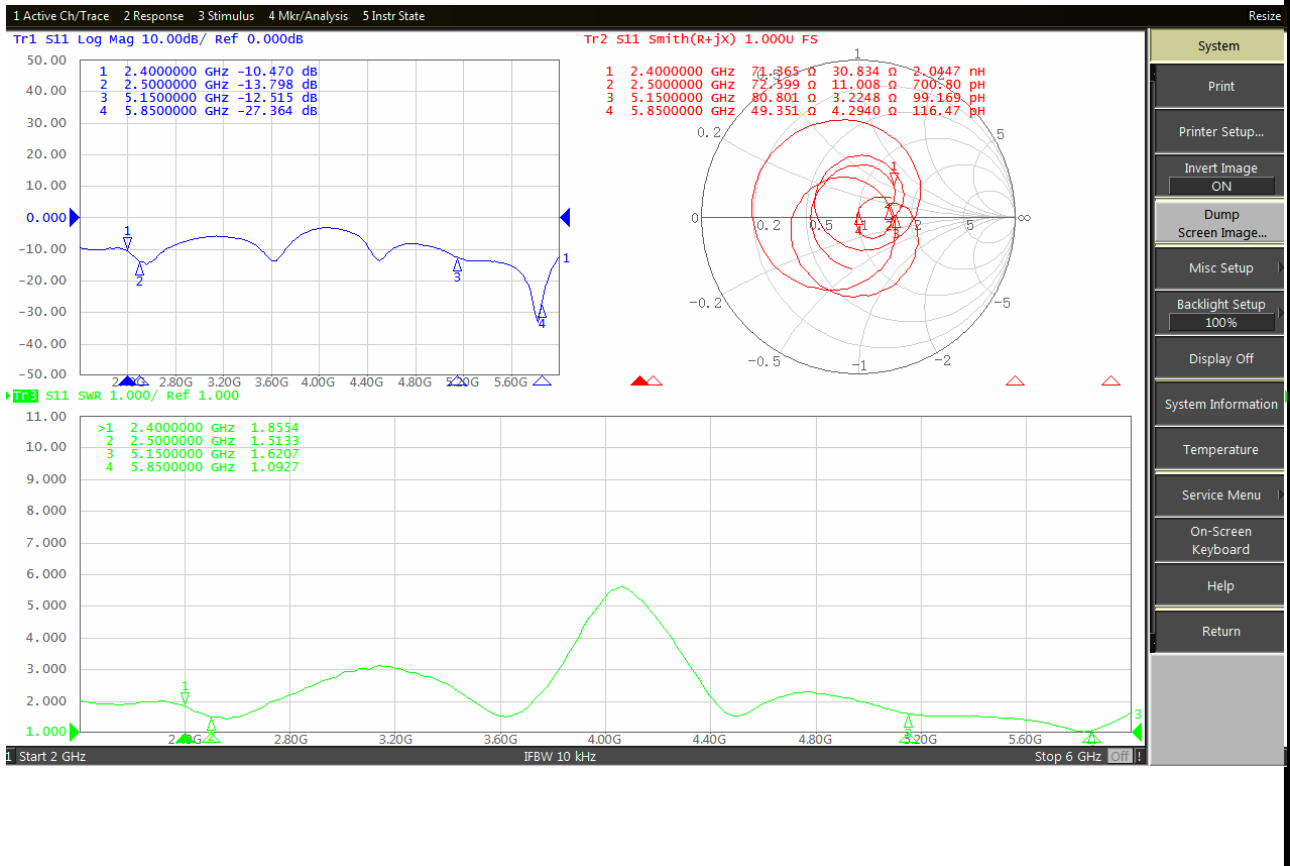
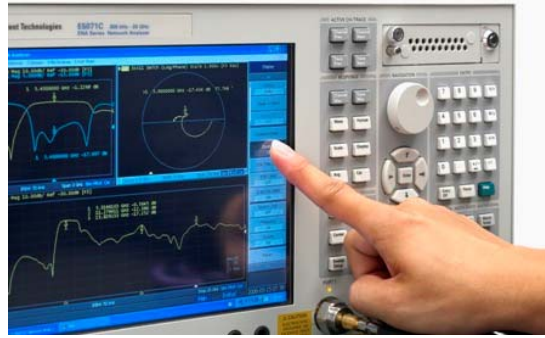
Electrical Properties	
Frequency	2.4-2.5 5.15-5.85GHz
Impedance	50 Ohm Nominal
V.S.W.R	1.92 : 1 Max
Return Loss	-10 dB Max
Radiation	Omni-directional
Gain (Peak)	1 dBi
Cable Loss	2.3 dB / m Max @ 2450 MHz
Polarization	Linear, Vertical
Admitted Power	1 W
Connector	SMA Male
Physical Properties	
Antenna Material	ABS / Cu
Cable Type	/
Operating Temp.	-40 ~ +80 °C
Storage Temp.	-40 ~ +80 °C
Cable Color	/



S 参数测试

S Parameter Test

Agilent E5071C



add: 东莞市长厦岗新业北街7号306 Tel:0769-85309196 Fax:0769-85309196



增益测试

Gain Test

*Antenna
Radiation
Pattern
VS
Gain*

