

FCC CFR47 PART 22H, 24E, 27, 90S CERTIFICATION TEST REPORT FCC ID: 2A8X4-AIR2ULTRA

Product: Smart Phone
Trade Mark: IIIF150
Model No.: Air2 Ultra
Family Model: N/A
Report No.: S24022803309006
Issue Date: Apr 11 , 2024

Prepared for

HONG KONG YO YOUNG INTELLIGENT CO., LIMITED
19H MAXGRAND PLAZA NO.3 TAIYAU STREET SAN PO
KONG,KOWLOONHONG KONG

Prepared by

Shenzhen NTEK Testing Technology Co., Ltd.
1/F, Building E, Fenda Science Park, Sanwei Community,
Xixiang Street Bao'an District, Shenzhen 518126 P.R. China
Tel. 400-800-6106, 0755-2320 0050, 0755-2320 0090
Website: <http://www.ntek.org.cn>

TEST RESULT CERTIFICATION

Applicant's name: HONG KONG YO YOUNG INTELLIGENT CO., LIMITED
Address: 19H MAXGRAND PLAZA NO.3 TAIYAU STREET SAN PO KONG,KOWLOONHONG KONG
Manufacturer's Name: HONG KONG YO YOUNG INTELLIGENT CO., LIMITED
Address: 19H MAXGRAND PLAZA NO.3 TAIYAU STREET SAN PO KONG,KOWLOONHONG KONG
Product name.....: Smart Phone
Model and/or type reference ...: Air2 Ultra
Trade Mark.....: IIF150
Family Model.....: N/A
Test Sample Number..... S240228033010
Standards.....: FCC CFR 47 Part 22H, Part 24E, Part 27
Test procedure: ANSI C63.26:2015
 ANSI/TIA-603-E-2016

This device described above has been tested by NTEK, and the test results show that the equipment under test (EUT) is in compliance with the FCC requirements. And it is applicable only to the tested sample identified in the report.

This report shall not be reproduced except in full, without the written approval of NTEK, this document may be altered or revised by NTEK, personal only, and shall be noted in the revision of the document.

Date of Test

Date (s) of performance of tests Feb. 28, 2024~ Apr 11 , 2024

Date of Issue Apr 11 , 2024

Test Result **Pass**

Prepared By : Mary Hu
 Mary Hu
 (Project Engineer)

Reviewed By : Aaron Cheng
 Aaron Cheng
 (Supervisor)

Approved By : Alex Li
 Alex Li
 (Manager)

TABLE OF CONTENTS

1. GENERAL INFORMATION	6
1. GENERAL INFORMATION	6
1.1 PRODUCT DESCRIPTION	6
1.2 RELATED SUBMITTAL(S) / GRANT (S).....	8
1.3 TEST METHODOLOGY.....	8
1.4 TEST FACILITY.....	8
MEASUREMENT UNCERTAINTY	8
1.5 SPECIAL ACCESSORIES.....	8
1.6 WORST-CASE CONFIGURATION AND MODE.....	8
1.7 SUMMARY OF TEST RESULTS	9
2. SYSTEM TEST CONFIGURATION	11
2.1 EUT CONFIGURATION.....	11
2.2 EUT EXERCISE	11
2.3 CONFIGURATION OF EUT SYSTEM.....	11
2.4 TEST SETUP	12
3.TEST AND MEASUREMENT EQUIPMENT	13
4. OUTPUT POWER.....	15
4.1 OUTPUT POWER MEASUREMENT	15
5. OCCUPIED BANDWIDTH.....	17
6. BANEDGE AND EMISSION MASK	18
7. OUT OF BAND EMISSIONS.....	20
7.1 MEASUREMENT METHOD	20
8. RADIATED MEASUREMENT	21

8.1. RADIATED POWER (ERP & EIRP)	21
8.2 LTE BAND 2	22
8.3 LTE BAND 4	25
8.4 LTE BAND 5	28
8.5 LTE BAND 7	30
8.6 LTE BAND 12	32
8.7 LTE BAND 13	34
8.8 LTE BAND 17	36
8.9 LTE BAND 18	38
8.10 LTE BAND 19	40
8.11 LTE BAND 25	42
8.12 LTE BAND 38	45
8.13 LTE BAND 41	47
9. SPURIOUS RADIATION EMISSION	49
9.1 LTE BAND 2	51
9.2 LTE BAND 4	53
9.3 LTE BAND 5	55
9.4 LTE BAND 7	57
9.5 LTE BAND 12	59
9.6 LTE BAND 13	61
9.7 LTE BAND 17	63
9.8 LTE BAND 18	65
9.9 LTE BAND 19	67
9.10 LTE BAND 25	69
9.11 LTE BAND 38	71
9.12 LTE BAND 41	73
10. FREQUENCY STABILITY	75
10.1 LTE BAND 2	76
10.2 LTE BAND 4	78

10.3 LTE BAND 5	80
10.4 LTE BAND 7	82
10.5 LTE BAND 12	84
10.6 LTE BAND 13	86
10.7 LTE BAND 17	88
10.8 LTE BAND 18	90
10.9 LTE BAND 19	92
10.10 LTE BAND 25.....	94
10.11 LTE BAND 38	96
10.12 LTE BAND 41	98
11. PEAK-TO-AVERAGE RATIO	100
11.1 Description of the PAR Measurement	100
11.2 Measuring Instruments	100
11.3 Test Procedures.....	100
11.4 Test Setup.....	101

1. GENERAL INFORMATION

1.1 PRODUCT DESCRIPTION

A major technical description of EUT is described as following:

Product Designation:	Smart Phone
Trade Mark	IIIF150
Model Name	Air2 Ultra
Family Model	N/A
Model Difference	N/A
FCC ID:	2A8X4-AIR2ULTRA
Frequency Bands:	U.S. Bands: <input checked="" type="checkbox"/> LTE FDD Band 2, 4, 5, 7, 12, 13, 17, 18, 19, 25 TDD Band 38, 41
Frequency Range:	LTE FDD Band 2 Uplink: 1850MHz-1910MHz, Downlink: 1930MHz-1990MHz; LTE FDD Band 4 Uplink: 1710MHz-1755MHz, Downlink: 2110MHz-2155MHz; LTE FDD Band 5 Uplink: 824MHz-849MHz, Downlink: 869MHz-894MHz; LTE-FDD Band 7 Uplink: 2500MHz-2570MHz, Downlink: 2620MHz-2690MHz; LTE FDD Band 12 Uplink: 699MHz-716MHz, Downlink: 729MHz-746MHz; LTE FDD Band 13 Uplink: 777MHz-787MHz, Downlink: 746MHz-756MHz; LTE FDD Band 17 Uplink: 704MHz-716MHz, Downlink: 734MHz-746MHz; LTE FDD Band 18 Uplink: 815MHz-830MHz, Downlink: 860MHz-875MHz; LTE FDD Band 19 Uplink: 830MHz-845MHz, Downlink: 875MHz-890MHz; LTE FDD Band 25 Uplink: 1850MHz-1915MHz, Downlink: 1930MHz-1995MHz; LTE TDD Band 38 Uplink & Downlink: 2570 MHz to 2620 MHz LTE TDD Band 41 Uplink& Downlink: 2496MHz-2690MHz,
Type of Modulation:	QPSK/16QAM/64QAM(Only Downlink)
Power Class	Class 3
SIM Card:	SIM 1 and SIM 2 is a chipset unit and tested as a single chipset. The SIM 1 is chosen for test.
Antenna:	LDS Antenna
Antenna gain:	Band 2: -1.56 dBi, Band 4: -1.31dBi, Band 5: -4.01dBi, Band 7: -2.23dBi, Band 12: -4.35dBi, Band 13: -4.35dBi, Band 17: -4.35 dBi, Band 18: -4.01dBi, Band 19: -4.01dBi, Band 25: -1.56dBi, Band 38: -2.31dBi, Band 41:-2.31 dBi
Adapter	Model:FC462E Input: 100-240V~50/60Hz 1.5A Max Output: 5.0V $\overline{\text{---}}$ 3.0A 15.0W or 9.0V $\overline{\text{---}}$ 3.0A 27.0W 12.0V $\overline{\text{---}}$ 3.0A 36.0W or 15.0V $\overline{\text{---}}$ 3.0A 45.0W Or 20.0V $\overline{\text{---}}$ 3.25A 65.0W Max PPS:3.3-20V $\overline{\text{---}}$ 3.25A Max
Battery	DC 3.89V,5000mAh, 19.45Wh

Power supply	DC 3.89V from battery or DC 5V from adapter
Extreme Vol. Limits:	DC 3.31V to DC 4.47V (Nominal DC 3.89V) (Note 1)
HW Version	Air2 Ultra_Mainboard_P1
SW Version	ASW3100_YO_2201_T0066
** Note1: The High Voltage DC 4.47V and Low Voltage 3.31V was declared by manufacturer, The EUT couldn't be operate normally with higher or lower voltage.	

1.2 RELATED SUBMITTAL(S) / GRANT (S)

This submittal(s) (test report) is intended for **FCC ID: 2A8X4-AIR2ULTRA** filing to comply with the FCC Part 22H&24E&27&90S.

1.3 TEST METHODOLOGY

The tests documented in this report were performed in accordance with ANSI/TIA-603-E-2016, FCC CFR 47 Part 2, Part 22, Part 24, Part 27, ANSI C63.26:2015.

1.4 TEST FACILITY

The test site used to collect the radiated data is located at:

ShenZhen NTEK Testing Technology Co., Ltd.

1/F, Building E, Fenda Science Park, Sanwei Community, Xixiang Street, Bao'an District, Shenzhen 518126 P.R.China.

The test site is constructed and calibrated to meet the FCC requirements in documents ANSI C63.26:2015& ANSI C63.4: 2014.

FCC Registration No.:463705

IC Registration No.:9270A-1,

CNAS Registration No.:L5516

MEASUREMENT UNCERTAINTY

The reported uncertainty of measurement, where expended uncertainty U is based on a standard uncertainty multiplied by a coverage factor of k=2, providing a level of confidence of approximately 95 %.

No.	Item	Uncertainty
1	Measuring Uncertainty for a Level of Confidence of 95% (U = 2Uc(y))	2.5dB

1.5 SPECIAL ACCESSORIES

The battery and the charger, earphone supplied by the applicant were used as accessories and being tested with EUT intended for FCC grant together.

1.6 WORST-CASE CONFIGURATION AND MODE

The worst-case scenario for all measurements is based on the investigation results.

The device has LTE Bands of: Band 2/4/5/7/12/13/17/18/19/25/38/41

The RB Size was selected to measure for peak or average ERP and EIRP, which was based on the conducted power verification baseline data.

For the fundamental investigation of radiated emissions, the EUT is investigated for vertical and horizontal antenna orientations and X Y and Z orientations of the EUT alone. After the investigations the worst case was determined to be at X orientation for all LTE bands.

1.7 SUMMARY OF TEST RESULTS

FCC Part22, Subpart H/ FCC Part24, Subpart E, FCC Part27, Subpart L, 90S KDB 971168 D01 Power Meas License Digital Systems v03r01			
FCC Rule	Test Item	Verdict	Remark
2.1046	Conducted Output Power	PASS	
22.913(d) 24.232(d) 27.50(d)(5) 90.691 KDB 971168 D01 Clause 5.7	Peak-to-Average Ratio	PASS	
2.1049 22.917(b) 24.238(b) KDB 971168 D01 Clause 4.2	Occupied Bandwidth	PASS	
2.1051 22.917(a) 24.238(a) 27.53(g), (h), (m) 90.691 KDB 971168 D01 Clause 6	Band Edge	PASS	
22.913(a)(2) 27.50(b)(10), (c)(10) 90.635 KDB 971168 D01 Clause 5.6	Effective Radiated Power	PASS	
24.232(c) 27.50(h)(2), (d)(4) 90.635 KDB 971168 D01 Clause 5.6	Equivalent Isotropic Radiated Power	PASS	
2.1053 22.917(a) 24.238(a) 27.53(g), (h), (m) 90.691 KDB 971168 D01 Clause 7	Field Strength of Spurious Radiation	PASS	

2.1055 22.355 24.235 27.54 90.213 KDB 971168 D01 Clause 9	Frequency Stability for Temperature & Voltage	PASS	
--	---	------	--

2. SYSTEM TEST CONFIGURATION

2.1 EUT CONFIGURATION

The EUT configuration for testing is installed on RF field strength measurement to meet the Commission’s requirement and operating in a manner which intends to maximize its emission characteristics in a continuous normal application.

2.2 EUT EXERCISE

The Transmitter was operated in the maximum output power mode through Communication Tester. The TX frequency was fixed which was for the purpose of the measurements.

2.3 CONFIGURATION OF EUT SYSTEM

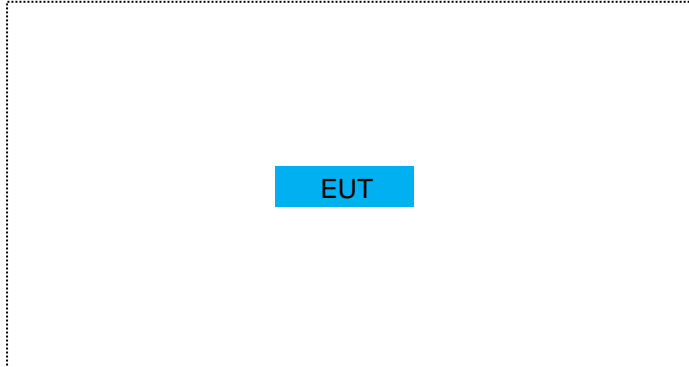
Table 2-1 Equipment Used in EUT System

Item	Equipment	Model No.	ID or Specification	Note
1	Smart Phone	Air2 Ultra	FCC ID: 2A8X4-AIR2ULTRA	EUT

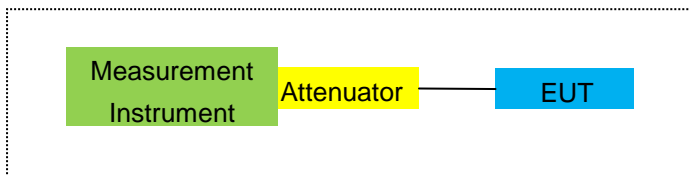
*Note: All the accessories have been used during the test.
the following “EUT” in setup diagram means EUT system.*

2.4 TEST SETUP

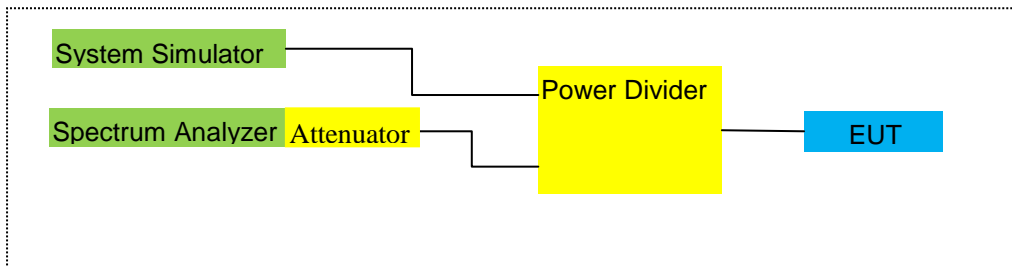
For Radiated Test Cases



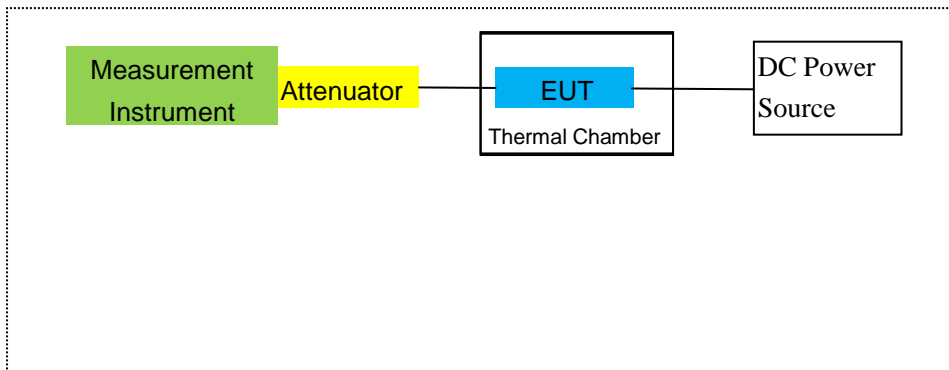
For Conducted Output Power



For Peak-to Average Ratio, Occupied Bandwidth, Conducted Band edge and Conducted Spurious Emission



For Frequency Stability



Note: EUT built-in battery-powered, the battery is fully-charged.

3. TEST AND MEASUREMENT EQUIPMENT

The following test and measurement equipment was utilized for the tests documented in this report:

Item	Kind of Equipment	Manufacturer	Type No.	Serial No.	Last calibration	Calibrated until	Calibration period
1	MXA Signal Analyzer	Agilent	N9020A	MY49100060	2023.05.29	2024.05.28	1 year
2	Test Receiver	R&S	ESPI	101318	2023.03.27 2024.03.12	2024.03.26 2025.03.11	1 year
3	Bilog Antenna	TESEQ	CBL6111D	31216	2023.03.16 2024.03.11	2024.03.15 2025.03.10	1 year
4	50Ω Coaxial Switch	Anritsu	MP59B	6200983705	2023.05.06	2026.05.05	3 year
5	Horn Antenna	EM	EM-AH-10180	2011071402	2022.03.31	2025.03.30	3 year
6	Horn Ant	Schwarzbeck	BBHA 9170	9170-181	2022.03.31	2025.03.30	3 year
7	Amplifier	EM	EM-30180	060538	2023.05.29	2024.05.28	1 year
8	Loop Antenna	ARA	PLA-1030/B	1029	2023.11.03	2026.11.02	3 year
9	Power Meter	R&S	NRVS	100696	2023.05.29	2024.05.28	1 year
10	Power Sensor	R&S	URV5-Z4	0395.1619.05	2023.05.29	2024.05.28	1 year
11	Test Cable	N/A	R-01	N/A	2022.06.17	2025.06.16	3 year
12	Test Cable	N/A	R-02	N/A	2022.06.17	2025.06.16	3 year
13	Test Cable	N/A	R-03	N/A	2022.06.17	2025.06.16	3 year
14	Test Receiver	R&S	ESCI	101160	2023.03.27 2024.03.12	2024.03.26 2025.03.11	1 year
15	LISN	R&S	ENV216	101313	2023.03.27 2024.03.12	2024.03.26 2025.03.11	1 year
16	LISN	EMCO	3816/2	00042990	2023.03.27 2024.03.12	2024.03.26 2025.03.11	1 year
17	50Ω Coaxial Switch	Anritsu	MP59B	6200264417	2023.03.27 2024.03.12	2024.03.26 2025.03.11	1 year
18	Passive Voltage Probe	R&S	ESH2-Z3	100196	2023.03.27 2024.03.12	2024.03.26 2025.03.11	1 year
19	Test Cable	N/A	C01	N/A	2023.05.06	2026.05.05	3 year
20	Test Cable	N/A	C02	N/A	2023.05.06	2026.05.05	3 year
21	Test Cable	N/A	C03	N/A	2023.05.06	2026.05.05	3 year
22	Spectrum Analyzer	agilent	e4440a	us44300399	2023.03.27 2024.03.12	2024.03.26 2025.03.11	1 year

23	test receiver	R&S	ESCI	a0304218	2023.03.27 2024.03.12	2024.03.26 2025.03.11	1 year
24	Communication Tester	R&S	CMU200	A0304247	2023.05.29	2024.05.28	1 year
25	Thermal Chamber	Ten Billion	TTC-B3C	TBN-960502	2023.03.27 2024.03.12	2024.03.26 2025.03.11	1 year
26	DC Power Source	N/A	PS-6005D	20170402923	2023.05.06	2026.05.05	3 year

Note: Each piece of equipment is scheduled for calibration once a year except the Test Cable& DC Power Source which is scheduled for calibration every 3 years.

4. OUTPUT POWER

4.1 OUTPUT POWER MEASUREMENT

LTE Measurement Procedure:

All LTE bands conducted power peak and average are obtained from the CMW500 telecommunication test set. The following tests were conducted according to the test requirements outlined in section 6.2 of the 3GPP TS36.101 specification.

UE Power Class: 3 (23 +/- 2dBm). The allowed Maximum Power Reduction (MPR) for the maximum output power due to higher order modulation and transmit bandwidth configuration (resource blocks) is specified in Table 6.2.3-1 of the 3GPP TS36.101.

Table 6.2.3-1: Maximum Power Reduction (MPR) for Power Class 3

Modulation	Channel bandwidth / Transmission bandwidth (RB)						MPR (dB)
	1.4 MHz	3.0 MHz	5 MHz	10 MHz	15 MHz	20 MHz	
QPSK	> 5	> 4	> 8	> 12	> 16	> 18	≤ 1
16 QAM	≤ 5	≤ 4	≤ 8	≤ 12	≤ 16	≤ 18	≤ 1
16 QAM	> 5	> 4	> 8	> 12	> 16	> 18	≤ 2

The allowed A-MPR values specified below in Table 6.2.4.-1 of 3GPP TS36.101 are in addition to the allowed MPR requirements. All the measurements below were performed with A-MPR disabled, by using Network Signaling Value of "NS_01".3

Table 6.2.4-1: Additional Maximum Power Reduction (A-MPR)

Network Signalling value	Requirements (sub-clause)	E-UTRA Band	Channel bandwidth (MHz)	Resources Blocks (N_{RB})	A-MPR (dB)
NS_01	6.6.2.1.1	Table 5.5-1	1.4, 3, 5, 10, 15, 20	Table 5.6-1	NA
NS_03	6.6.2.2.1	2, 4, 10, 23, 25, 35, 36	3	>5	≤ 1
			5	>6	≤ 1
			10	>6	≤ 1
			15	>8	≤ 1
			20	>10	≤ 1
NS_04	6.6.2.2.2	41	5	>6	≤ 1
			10, 15, 20	See Table 6.2.4-4	
NS_05	6.6.3.3.1	1	10, 15, 20	≥ 50	≤ 1
NS_06	6.6.2.2.3	12, 13, 14, 17	1.4, 3, 5, 10	Table 5.6-1	n/a
NS_07	6.6.2.2.3	13	10	Table 6.2.4-2	Table 6.2.4-2
	6.6.3.3.2				
NS_08	6.6.3.3.3	19	10, 15	> 44	≤ 3
NS_09	6.6.3.3.4	21	10, 15	> 40	≤ 1
				> 55	≤ 2
NS_10		20	15, 20	Table 6.2.4-3	Table 6.2.4-3
NS_11	6.6.2.2.1	23 ¹	1.4, 3, 5, 10	Table 6.2.4-5	Table 6.2.4-5
..					
NS_32	-	-	-	-	-

Note 1: Applies to the lower block of Band 23, i.e. a carrier placed in the 2000-2010 MHz region.

Test data reference attachment.

5. OCCUPIED BANDWIDTH

RULE PART(S)

FCC: §2.1049

LIMITS

For reporting purposes only

TEST PROCEDURE

The transmitter output was connected to a calibrated coaxial cable and coupler, the other end of which was connected to a spectrum analyzer. The occupied bandwidth was measured with the spectrum analyzer at the low, middle and high channel in each band. The -26dB bandwidth was also measured and recorded.

MODES TESTED

Band 2/4/5/7/12/13/17/18/19/25/38/41

RESULTS

PASS

Test data reference attachment.

6. BANDEDGE AND EMISSION MASK

RULE PART(S)

FCC: §2.1051, §22.901, §22.917, §24.238, §27.53, and §90.691

FCC: §22.359

LIMITS

FCC: §22.917, §24.238, §27.53

The power of any emission outside of the authorized operating frequency ranges must be attenuated below the transmitting power (P) by a factor of at least $43 + 10 \log (P)$ dB.

(m)(4) For mobile digital stations, the attenuation factor shall be not less than $40 + 10 \log (P)$ dB on all frequencies between the channel edge and 5 megahertz from the channel edge, $43 + 10 \log (P)$ dB on all frequencies between 5 megahertz and X megahertz from the channel edge, and $55 + 10 \log (P)$ dB on all frequencies more than X megahertz from the channel edge, where X is the greater of 6 megahertz or the actual emission bandwidth as defined in paragraph (m)(6) of this section. In addition, the attenuation factor shall not be less that $43 + 10 \log (P)$ dB on all frequencies between 2490.5 MHz and 2496 MHz and $55 + 10 \log (P)$ dB at or below 2490.5 MHz. Mobile Satellite Service licensees operating on frequencies below 2495 MHz may also submit a documented interference complaint against BRS licensees operating on channel BRS Channel 1 on the same terms and conditions as adjacent channel BRS or EBS licensees. Show citation box.

(c)(4) On all frequencies between 763-775 MHz and 793-805 MHz, by a factor not less than $65 + 10 \log (P)$ dB in a 6.25 kHz band segment, for mobile and portable stations;

FCC: §90.691 Emission mask requirements for EA-based systems.

(a) Out-of-band emission requirement shall apply only to the “outer” channels included in an EA license and to spectrum adjacent to interior channels used by incumbent licensees. The emission limits are as follows:

(1) For any frequency removed from the EA licensee's frequency block by up to and including 37.5 kHz, the power of any emission shall be attenuated below the transmitter power (P) in watts by at least $116 \log_{10}(f/6.1)$ decibels or $50 + 10 \log_{10}(P)$ decibels or 80 decibels, whichever is the lesser attenuation, where f is the frequency removed from the center of the outer channel in the block in kilohertz and where f is greater than 12.5 kHz.

(2) For any frequency removed from the EA licensee's frequency block greater than 37.5 kHz, the power of any emission shall be attenuated below the transmitter power (P) in watts by at least $43 + 10 \log_{10}(P)$ decibels or 80 decibels, whichever is the lesser attenuation, where f is the frequency removed from the center of the outer channel in the block in kilohertz and where f is greater than 37.5 kHz.

TEST PROCEDURE

The transmitter output was connected to a CMW500 Test Set and configured to operate at maximum power. The band edge emissions were measured at the required operating frequencies in each band on the Spectrum Analyzer.

For each band edge measurement:

Set the spectrum analyzer span to include the block edge frequency

Set a marker to point the corresponding band edge frequency in each test case.

Set resolution bandwidth to at least 1% of emission bandwidth.

MODES TESTED

Band 2/4/5/7/12/13/17/18/19/25/38/41

RESULTS

Test data reference attachment.

7. OUT OF BAND EMISSIONS

RULE PART(S)

FCC: §2.1051, §22.901, §22.917, §24.238, §27.53 and §90.691

LIMITS

1. The power of any emission outside of the authorized operating frequency ranges must be attenuated below the transmitting power (P) by a factor of at least $43 + 10 \log (P)$ dB.
2. The Band 7/41 emission outside of the authorized operating frequency ranges must be attenuated below the transmitting power (P) by a factor of at least $55 + 10 \log (P)$ dB.

TEST PROCEDURE

The RF output of the transmitter was connected to a spectrum analyzer through a calibrated coaxial cable. Sufficient scans were taken to show the out-of-band Emissions, if any, up to 10th harmonic. Multiple sweeps were recorded in maximum hold mode using a peak detector to ensure that the worst-case emissions were caught.

For each out of band emissions measurement:

-
- Set RBW & VBW to 100 kHz for the measurement below 1 GHz, and 1 MHz for the measurement above 1 GHz.

MODES TESTED

- Band 2/4/5/7/12/13/17/18/19/25/38/41
-

7.1 MEASUREMENT METHOD

The test set up and general procedure is similar to conducted peak output power test. Only different for setting the measurement configuration of the measuring instrument of Spectrum Analyzer.

Test data reference attachment.

8. RADIATED MEASUREMENT

8.1. RADIATED POWER (ERP & EIRP)

RULE PART(S)

FCC: §2.1046, §22.913, §24.232, §27.50 and §90.635

LIMITS:

22.913(a) - The ERP of mobile transmitters and auxiliary test transmitters must not exceed 7 Watts.

27.50 (c) (10) the following power and antenna height requirements apply to stations transmitting in the 698–746 MHz band, the portable stations (hand-held devices) are limited to 3 watts ERP.

27.50 (b)(10) Portable stations (hand-held devices) transmitting in the 746–757 MHz, 758–763 MHz, 776–793 MHz, and 805–806 MHz bands are limited to 3 watts ERP.

27.50 (d)(4) The following power and antenna height requirements apply to stations transmitting in the 1710–1755 MHz and 2110–2155 MHz bands: Fixed, mobile, and portable (hand-held) stations operating in the 1710–1755 MHz band are limited to 1 watt EIRP.

27.50 (h)(2) Mobile and other user stations. Mobile stations are limited to 2.0 watts EIRP. All user stations are limited to 2.0 watts transmitter output power.

90.635(b) The maximum output power of the transmitter for mobile stations is 100 watts (20 dBw).

TEST PROCEDURE

ANSI/TIA-603-E Clause 2.2.17

KDB 971168 v02r01 RF power output using broadband peak and average power meter method.

KDB 971168 D01 Power Meas License Digital Systems v02r01, "Measurement Guidance for Certification of Licensed Digital Transmitters"

MODES TESTED

- Band 2/4/5/7/12/13/17/18/19/25/38/41

RESULTS

Pass

8.2 LTE BAND 2

Radiated Power (EIRP) for Band 2									
Mode	RB/RB SIZE	Frequency	Result					Polarization Of Max. ERP	Conclusion
			SG Level (dBm)	Cable Loss (dBm)	Antenna Factor (dBi)	Max. EIRP Average (dBm)	Max. EIRP Average (mW)		
			1.4MHz Band QPSK	6/0	1850.7	18.23	3.76		
		1880	14.25	3.91	8.90	19.24	83.95	Horizontal	Pass
		1909.3	14.49	3.93	8.90	19.46	88.31	Horizontal	Pass
3.0MHz Band QPSK	15/0	1851.5	14.35	3.77	8.90	19.48	88.72	Horizontal	Pass
		1880	15.07	3.91	8.90	20.06	101.39	Horizontal	Pass
		1908.5	16.00	3.94	8.90	20.96	124.74	Horizontal	Pass
5.0MHz Band QPSK	25/0	1852.5	16.30	3.77	8.90	21.43	139.00	Horizontal	Pass
		1880	17.60	3.91	8.90	22.59	181.55	Horizontal	Pass
		1907.5	16.81	3.94	8.90	21.77	150.31	Horizontal	Pass
10.0MHz Band QPSK	50/0	1855	16.47	3.79	8.90	21.58	143.88	Horizontal	Pass
		1880	17.67	3.95	8.90	22.62	182.81	Horizontal	Pass
		1905	15.97	3.97	8.90	20.9	123.03	Horizontal	Pass
15.0MHz Band QPSK	75/0	1857.5	15.83	3.79	8.90	20.94	124.17	Horizontal	Pass
		1880	16.88	3.95	8.90	21.83	152.41	Horizontal	Pass
		1902.5	15.33	3.97	8.90	20.26	106.17	Horizontal	Pass
20.0MHz Band QPSK	100/0	1860	16.83	3.81	8.90	21.92	155.60	Horizontal	Pass
		1880	14.59	3.96	8.90	19.53	89.74	Horizontal	Pass
		1900	16.24	4.00	8.90	21.14	130.02	Horizontal	Pass
1.4MHz Band QPSK	6/0	1850.7	15.93	3.76	8.90	21.07	127.94	Vertical	Pass
		1880	15.07	3.91	8.90	20.06	101.39	Vertical	Pass
		1909.3	15.82	3.93	8.90	20.79	119.95	Vertical	Pass
3.0MHz Band QPSK	15/0	1851.5	16.00	3.77	8.90	21.13	129.72	Vertical	Pass
		1880	17.18	3.91	8.90	22.17	164.82	Vertical	Pass
		1908.5	14.82	3.94	8.90	19.78	95.06	Vertical	Pass
5.0MHz Band QPSK	25/0	1852.5	15.30	3.77	8.90	20.43	110.41	Vertical	Pass
		1880	15.27	3.91	8.90	20.26	106.17	Vertical	Pass
		1907.5	17.64	3.94	8.90	22.6	181.97	Vertical	Pass
10.0MHz Band QPSK	50/0	1855	15.55	3.79	8.90	20.66	116.41	Vertical	Pass
		1880	14.14	3.95	8.90	19.09	81.10	Vertical	Pass
		1905	14.86	3.97	8.90	19.79	95.28	Vertical	Pass
15.0MHz	75/0	1857.5	15.04	3.79	8.90	20.15	103.51	Vertical	Pass

Band QPSK		1880	16.07	3.95	8.90	21.02	126.47	Vertical	Pass
		1902.5	16.82	3.97	8.90	21.75	149.62	Vertical	Pass
20.0MHz Band QPSK	100/0	1860	18.33	3.81	8.90	23.42	219.79	Vertical	Pass
		1880	16.55	3.96	8.90	21.49	140.93	Vertical	Pass
		1900	16.18	4.00	8.90	21.08	128.23	Vertical	Pass

Radiated Power (EIRP) for Band 2									
Mode	RB/RB SIZE	Frequency	Result					Polarization Of Max. ERP	Conclusion
			SG Level (dBm)	Cable Loss (dBm)	Antenna Factor (dBi)	Max. EIRP Average (dBm)	Max. EIRP		
							Average (mW)		
1.4MHz Band 16 QAM	6/0	1850.7	14.60	3.76	8.90	22.31	170.22	Horizontal	Pass
		1880	15.75	3.91	8.90	21.09	128.53	Horizontal	Pass
		1909.3	15.45	3.93	8.90	21.54	142.56	Horizontal	Pass
3.0MHz Band 16 QAM	15/0	1851.5	15.29	3.77	8.90	20.02	100.46	Horizontal	Pass
		1880	14.95	3.91	8.90	21.29	134.59	Horizontal	Pass
		1908.5	14.55	3.94	8.90	20.83	121.06	Horizontal	Pass
5.0MHz Band 16 QAM	25/0	1852.5	15.14	3.77	8.90	21.87	153.82	Horizontal	Pass
		1880	15.50	3.91	8.90	20.66	116.41	Horizontal	Pass
		1907.5	14.00	3.94	8.90	20.09	102.09	Horizontal	Pass
10.0MHz Band 16 QAM	50/0	1855	15.35	3.79	8.90	21.63	145.55	Horizontal	Pass
		1880	14.05	3.95	8.90	21.26	133.66	Horizontal	Pass
		1905	15.36	3.97	8.90	22.55	179.89	Horizontal	Pass
15.0MHz Band 16 QAM	75/0	1857.5	13.68	3.79	8.90	21.98	157.76	Horizontal	Pass
		1880	15.77	3.95	8.90	20.44	110.66	Horizontal	Pass
		1902.5	15.65	3.97	8.90	21.69	147.57	Horizontal	Pass
20.0MHz Band 16 QAM	100/0	1860	13.84	3.81	8.90	20.31	107.40	Horizontal	Pass
		1880	16.17	3.96	8.90	20.92	123.59	Horizontal	Pass
		1900	14.55	4.00	8.90	19.36	86.30	Horizontal	Pass
1.4MHz Band 16 QAM	6/0	1850.7	14.61	3.76	8.90	21.74	149.28	Vertical	Pass
		1880	15.84	3.91	8.90	20.68	116.95	Vertical	Pass
		1909.3	15.13	3.93	8.90	21.11	129.12	Vertical	Pass
3.0MHz Band 16 QAM	15/0	1851.5	13.77	3.77	8.90	20.2	104.71	Vertical	Pass
		1880	14.83	3.91	8.90	22.17	164.82	Vertical	Pass
		1908.5	14.56	3.94	8.90	20.84	121.34	Vertical	Pass
5.0MHz Band 16	25/0	1852.5	13.76	3.77	8.90	22.19	165.58	Vertical	Pass
		1880	15.05	3.91	8.90	22.33	171.00	Vertical	Pass

QAM		1907.5	15.69	3.94	8.90	21.36	136.77	Vertical	Pass
10.0MHz	50/0	1855	13.98	3.79	8.90	22.28	169.04	Vertical	Pass
Band 16		1880	15.57	3.95	8.90	21.26	133.66	Vertical	Pass
QAM		1905	15.12	3.97	8.90	20.86	121.90	Vertical	Pass
15.0MHz	75/0	1857.5	13.85	3.79	8.90	20.95	124.45	Vertical	Pass
Band 16		1880	14.87	3.95	8.90	22.14	163.68	Vertical	Pass
QAM		1902.5	13.66	3.97	8.90	21.82	152.05	Vertical	Pass
20.0MHz	100/0	1860	14.29	3.81	8.90	22.32	170.61	Vertical	Pass
Band 16		1880	14.90	3.96	8.90	22.59	181.55	Vertical	Pass
QAM		1900	13.78	4.00	8.90	21.41	138.36	Vertical	Pass

Note:

SG Level= Signal generator output

Max. EIRP Average (dBm)= Antenna Gain(dB)+ SG Level (dBm)- Cable Loss(dBm)

Factor Gain(dB)=Antenna Gain(dB) + Amplifier Factor (dB)

8.3 LTE BAND 4

Radiated Power (EIRP) for Band 4									
Mode	RB/RB SIZE	Frequency	Result					Polarization Of Max. ERP	Conclusion
			SG Level (dBm)	Cable Loss (dBm)	Antenna Factor (dBi)	Max. EIRP Average (dBm)	Max. EIRP Average (mW)		
			1.4MHz Band QPSK	6/0	1710.7	15.12	3.12		
		1732.5	14.57	3.27	8.90	20.2	104.71	Horizontal	Pass
		1754.3	16.56	3.29	8.90	22.17	164.82	Horizontal	Pass
3.0MHz Band QPSK	15/0	1711.5	14.51	3.13	8.90	20.28	106.66	Horizontal	Pass
		1732.5	15.16	3.27	8.90	20.79	119.95	Horizontal	Pass
		1753.5	15.07	3.30	8.90	20.67	116.68	Horizontal	Pass
5.0MHz Band QPSK	25/0	1712.5	16.45	3.13	8.90	22.22	166.72	Horizontal	Pass
		1732.5	16.60	3.27	8.90	22.23	167.11	Horizontal	Pass
		1752.5	15.42	3.30	8.90	21.02	126.47	Horizontal	Pass
10.0MHz Band QPSK	50/0	1715	15.68	3.15	8.90	21.43	139.00	Horizontal	Pass
		1732.5	15.15	3.31	8.90	20.74	118.58	Horizontal	Pass
		1750	15.86	3.33	8.90	21.43	139.00	Horizontal	Pass
15.0MHz Band QPSK	75/0	1717.5	16.08	3.15	8.90	21.83	152.41	Horizontal	Pass
		1732.5	15.84	3.31	8.90	21.43	139.00	Horizontal	Pass
		1747.5	17.36	3.33	8.90	22.93	196.34	Horizontal	Pass
20.0MHz Band QPSK	100/0	1720	14.17	3.17	8.90	19.9	97.72	Horizontal	Pass
		1732.5	14.56	3.32	8.90	20.14	103.28	Horizontal	Pass
		1745	15.15	3.36	8.90	20.69	117.22	Horizontal	Pass
1.4MHz Band QPSK	6/0	1710.7	15.38	3.12	8.90	21.16	130.62	Vertical	Pass
		1732.5	15.46	3.27	8.90	21.09	128.53	Vertical	Pass
		1754.3	15.84	3.29	8.90	21.45	139.64	Vertical	Pass
3.0MHz Band QPSK	15/0	1711.5	16.12	3.13	8.90	21.89	154.53	Vertical	Pass
		1732.5	16.22	3.27	8.90	21.85	153.11	Vertical	Pass
		1753.5	16.82	3.30	8.90	22.42	174.58	Vertical	Pass
5.0MHz Band QPSK	25/0	1712.5	15.77	3.13	8.90	21.54	142.56	Vertical	Pass
		1732.5	15.46	3.27	8.90	21.09	128.53	Vertical	Pass
		1752.5	14.81	3.30	8.90	20.41	109.90	Vertical	Pass
10.0MHz Band QPSK	50/0	1715	13.48	3.15	8.90	19.23	83.75	Vertical	Pass
		1732.5	15.72	3.31	8.90	21.31	135.21	Vertical	Pass
		1750	15.14	3.33	8.90	20.71	117.76	Vertical	Pass

15.0MHz Band QPSK	75/0	1717.5	16.41	3.15	8.90	22.16	164.44	Vertical	Pass
		1732.5	15.67	3.31	8.90	21.26	133.66	Vertical	Pass
		1747.5	14.90	3.33	8.90	20.47	111.43	Vertical	Pass
20.0MHz Band QPSK	100/0	1720	16.84	3.17	8.90	22.57	180.72	Vertical	Pass
		1732.5	17.56	3.32	8.90	23.14	206.06	Vertical	Pass
		1745	14.57	3.36	8.90	20.11	102.57	Vertical	Pass

Radiated Power (EIRP) for Band 4									
Mode	RB/RB SIZE	Frequency	Result					Polarization Of Max. ERP	Conclusion
			SG Level (dBm)	Cable Loss (dBm)	Antenna Factor (dBi)	Max. EIRP	Max. EIRP		
						Average (dBm)	Average (mW)		
1.4MHz Band 16 QAM	6/0	1710.7	16.21	3.12	8.90	21.99	158.12	Horizontal	Pass
		1732.5	16.66	3.27	8.90	22.29	169.43	Horizontal	Pass
		1754.3	16.63	3.29	8.90	22.24	167.49	Horizontal	Pass
3.0MHz Band 16 QAM	15/0	1711.5	15.49	3.13	8.90	21.26	133.66	Horizontal	Pass
		1732.5	16.30	3.27	8.90	21.93	155.96	Horizontal	Pass
		1753.5	16.68	3.30	8.90	22.28	169.04	Horizontal	Pass
5.0MHz Band 16 QAM	25/0	1712.5	15.40	3.13	8.90	21.17	130.92	Horizontal	Pass
		1732.5	13.56	3.27	8.90	19.19	82.99	Horizontal	Pass
		1752.5	16.49	3.30	8.90	22.09	161.81	Horizontal	Pass
10.0MHz Band 16 QAM	50/0	1715	16.83	3.15	8.90	22.58	181.13	Horizontal	Pass
		1732.5	15.08	3.31	8.90	20.67	116.68	Horizontal	Pass
		1750	15.00	3.33	8.90	20.57	114.02	Horizontal	Pass
15.0MHz Band 16 QAM	75/0	1717.5	16.21	3.15	8.90	21.96	157.04	Horizontal	Pass
		1732.5	17.04	3.31	8.90	22.63	183.23	Horizontal	Pass
		1747.5	15.66	3.33	8.90	21.23	132.74	Horizontal	Pass
20.0MHz Band 16 QAM	100/0	1720	15.44	3.17	8.90	21.17	130.92	Horizontal	Pass
		1732.5	16.54	3.32	8.90	22.12	162.93	Horizontal	Pass
		1745	16.37	3.36	8.90	21.91	155.24	Horizontal	Pass
1.4MHz Band 16 QAM	6/0	1710.7	16.89	3.12	8.90	22.67	184.93	Vertical	Pass
		1732.5	16.08	3.27	8.90	21.71	148.25	Vertical	Pass
		1754.3	16.38	3.29	8.90	21.99	158.12	Vertical	Pass
3.0MHz Band 16 QAM	15/0	1711.5	15.55	3.13	8.90	21.32	135.52	Vertical	Pass
		1732.5	15.68	3.27	8.90	21.31	135.21	Vertical	Pass
		1753.5	15.62	3.30	8.90	21.22	132.43	Vertical	Pass
5.0MHz	25/0	1712.5	17.09	3.13	8.90	22.86	193.20	Vertical	Pass

Band 16 QAM		1732.5	16.58	3.27	8.90	22.21	166.34	Vertical	Pass
		1752.5	15.10	3.30	8.90	20.7	117.49	Vertical	Pass
10.0MHz Band 16 QAM	50/0	1715	15.84	3.15	8.90	21.59	144.21	Vertical	Pass
		1732.5	16.12	3.31	8.90	21.71	148.25	Vertical	Pass
		1750	17.12	3.33	8.90	22.69	185.78	Vertical	Pass
15.0MHz Band 16 QAM	75/0	1717.5	14.80	3.15	8.90	20.55	113.50	Vertical	Pass
		1732.5	15.08	3.31	8.90	20.67	116.68	Vertical	Pass
		1747.5	17.00	3.33	8.90	22.57	180.72	Vertical	Pass
20.0MHz Band 16 QAM	100/0	1720	15.96	3.17	8.90	21.69	147.57	Vertical	Pass
		1732.5	17.50	3.32	8.90	23.08	203.24	Vertical	Pass
		1745	17.11	3.36	8.90	22.65	184.08	Vertical	Pass

Note:

SG Level= Signal generator output

Max. EIRP Average (dBm)= Antenna Gain(dB)+ SG Level (dBm)- Cable Loss(dBm)

Factor Gain(dB)=Antenna Gain(dB) + Amplifier Factor (dB)

8.4 LTE BAND 5

Radiated Power (ERP) for Band 5											
Mode	RB/RB SIZE	Frequency	Result							Polarization Of Max. ERP	Conclusion
			SG Level	Cable Loss (dBm)	Antenna Factor (dB)	Correction (dB)	Max. ERP	Max. ERP			
			(dBm)				Average	Average			
						(dBm)	(mW)				
1.4MHz Band QPSK	6/0	824.7	20.87	2.01	5.30	2.15	22.01	158.85	Horizontal	Pass	
		836.5	21.50	2.01	5.30	2.15	22.64	183.65	Horizontal	Pass	
		848.3	20.51	2.02	5.70	2.15	22.04	159.96	Horizontal	Pass	
3.0MHz Band QPSK	15/0	825.5	22.38	2.01	5.30	2.15	23.52	224.91	Horizontal	Pass	
		836.5	22.40	2.01	5.30	2.15	23.54	225.94	Horizontal	Pass	
		847.5	20.79	2.02	5.70	2.15	22.32	170.61	Horizontal	Pass	
5.0MHz Band QPSK	25/0	826.5	20.32	2.01	5.30	2.15	21.46	139.96	Horizontal	Pass	
		836.5	21.63	2.01	5.30	2.15	22.77	189.23	Horizontal	Pass	
		846.5	21.72	2.02	5.70	2.15	23.25	211.35	Horizontal	Pass	
10.0MHz Band QPSK	50/0	829	20.56	2.01	5.30	2.15	21.7	147.91	Horizontal	Pass	
		836.5	21.82	2.01	5.30	2.15	22.96	197.70	Horizontal	Pass	
		844	21.23	2.02	5.70	2.15	22.76	188.80	Horizontal	Pass	
1.4MHz Band QPSK	6/0	824.7	19.00	2.01	5.30	2.15	20.14	103.28	Vertical	Pass	
		836.5	22.17	2.01	5.30	2.15	23.31	214.29	Vertical	Pass	
		848.3	20.87	2.02	5.70	2.15	22.4	173.78	Vertical	Pass	
3.0MHz Band QPSK	15/0	825.5	22.51	2.01	5.30	2.15	23.65	231.74	Vertical	Pass	
		836.5	21.38	2.01	5.30	2.15	22.52	178.65	Vertical	Pass	
		847.5	20.03	2.02	5.70	2.15	21.56	143.22	Vertical	Pass	
5.0MHz Band QPSK	25/0	826.5	19.92	2.01	5.30	2.15	21.06	127.64	Vertical	Pass	
		836.5	22.14	2.01	5.30	2.15	23.28	212.81	Vertical	Pass	
		846.5	20.30	2.02	5.70	2.15	21.83	152.41	Vertical	Pass	
10.0MHz Band QPSK	50/0	829	20.22	2.01	5.30	2.15	21.36	136.77	Vertical	Pass	
		836.5	22.43	2.01	5.30	2.15	23.57	227.51	Vertical	Pass	
		844	22.21	2.02	5.70	2.15	23.74	236.59	Vertical	Pass	

Radiated Power (ERP) for Band 5										
Mode	RB/RB SIZE	Frequency	Result							Conclusion
			SG Level	Cable Loss (dBm)	Antenna Factor (dB)	Correction (dB)	Max. ERP	Max. ERP	Polarization Of Max. ERP	
			(dBm)				Average	Average		
							(dBm)	(mW)		
1.4MHz Band 16 QAM	6/0	824.7	20.86	2.01	5.30	2.15	22	158.49	Horizontal	Pass
		836.5	21.45	2.01	5.30	2.15	22.59	181.55	Horizontal	Pass
		848.3	20.33	2.02	5.70	2.15	21.86	153.46	Horizontal	Pass
3.0MHz Band 16 QAM	15/0	825.5	20.86	2.01	5.30	2.15	22	158.49	Horizontal	Pass
		836.5	19.86	2.01	5.30	2.15	21	125.89	Horizontal	Pass
		847.5	20.50	2.02	5.70	2.15	22.03	159.59	Horizontal	Pass
5.0MHz Band 16 QAM	25/0	826.5	20.90	2.01	5.30	2.15	22.04	159.96	Horizontal	Pass
		836.5	19.77	2.01	5.30	2.15	20.91	123.31	Horizontal	Pass
		846.5	20.43	2.02	5.70	2.15	21.96	157.04	Horizontal	Pass
10.0MHz Band 16 QAM	50/0	829	19.90	2.01	5.30	2.15	21.04	127.06	Horizontal	Pass
		836.5	19.89	2.01	5.30	2.15	21.03	126.77	Horizontal	Pass
		844	20.02	2.02	5.70	2.15	21.55	142.89	Horizontal	Pass
1.4MHz Band 16 QAM	6/0	824.7	21.63	2.01	5.30	2.15	22.77	189.23	Vertical	Pass
		836.5	21.18	2.01	5.30	2.15	22.32	170.61	Vertical	Pass
		848.3	20.78	2.02	5.70	2.15	22.31	170.22	Vertical	Pass
3.0MHz Band 16 QAM	15/0	825.5	19.16	2.01	5.30	2.15	20.3	107.15	Vertical	Pass
		836.5	20.71	2.01	5.30	2.15	21.85	153.11	Vertical	Pass
		847.5	19.50	2.02	5.70	2.15	21.03	126.77	Vertical	Pass
5.0MHz Band 16 QAM	25/0	826.5	20.36	2.01	5.30	2.15	21.5	141.25	Vertical	Pass
		836.5	18.29	2.01	5.30	2.15	19.43	87.70	Vertical	Pass
		846.5	20.44	2.02	5.70	2.15	21.97	157.40	Vertical	Pass
10.0MHz Band 16 QAM	50/0	829	19.60	2.01	5.30	2.15	20.74	118.58	Vertical	Pass
		836.5	22.23	2.01	5.30	2.15	23.37	217.27	Vertical	Pass
		844	21.80	2.02	5.70	2.15	23.33	215.28	Vertical	Pass

Note:

SG Level= Signal generator output

Max. EIRP Average (dBm)= Antenna Gain(dB)+ SG Level (dBm)- Cable Loss(dBm)

Factor Gain(dB)=Antenna Gain(dB) + Amplifier Factor (dB)

ERP(dBm)=EIRP-2.15

8.5 LTE BAND 7

Radiated Power (EIRP) for Band 7									
Mode	RB/RB SIZE	Frequency	Result						Conclusion
			SG Level	Cable Loss	Antenna Factor	Max. EIRP	Max. EIRP	Polarization Of Max. ERP	
			(dBm)	(dBm)	(dB)	Average	Average		
						(dBm)	(mW)		
5.0MHz Band QPSK	25/0	2502.5	17.83	4.54	9.00	22.29	169.43	Horizontal	Pass
		2535	17.87	4.69	9.00	22.18	165.20	Horizontal	Pass
		2567.5	16.07	4.71	9.00	20.36	108.64	Horizontal	Pass
10.0MHz Band QPSK	50/0	2505	15.70	4.55	9.00	20.15	103.51	Horizontal	Pass
		2535	17.37	4.69	9.00	21.68	147.23	Horizontal	Pass
		2565	17.74	4.72	9.00	22.02	159.22	Horizontal	Pass
15.0MHz Band QPSK	75/0	2507.5	17.67	4.55	9.00	22.12	162.93	Horizontal	Pass
		2535	17.17	4.69	9.00	21.48	140.60	Horizontal	Pass
		2562.5	16.58	4.72	9.00	20.86	121.90	Horizontal	Pass
20.0MHz Band QPSK	100/0	2510	15.20	4.57	9.00	19.63	91.83	Horizontal	Pass
		2535	17.87	4.73	9.00	22.14	163.68	Horizontal	Pass
		2560	16.47	4.75	9.00	20.72	118.03	Horizontal	Pass
5.0MHz Band QPSK	25/0	2502.5	16.60	4.54	9.00	21.06	127.64	Vertical	Pass
		2535	17.86	4.69	9.00	22.17	164.82	Vertical	Pass
		2567.5	18.41	4.71	9.00	22.7	186.21	Vertical	Pass
10.0MHz Band QPSK	50/0	2505	16.46	4.55	9.00	20.91	123.31	Vertical	Pass
		2535	18.27	4.69	9.00	22.58	181.13	Vertical	Pass
		2565	17.98	4.72	9.00	22.26	168.27	Vertical	Pass
15.0MHz Band QPSK	75/0	2507.5	17.60	4.55	9.00	22.05	160.32	Vertical	Pass
		2535	18.14	4.69	9.00	22.45	175.79	Vertical	Pass
		2562.5	17.06	4.72	9.00	21.34	136.14	Vertical	Pass
20.0MHz Band QPSK	100/0	2510	18.10	4.57	9.00	22.53	179.06	Vertical	Pass
		2535	18.79	4.73	9.00	23.06	202.30	Vertical	Pass
		2560	18.73	4.75	9.00	22.98	198.61	Vertical	Pass

Radiated Power (EIRP) for Band 7									
Mode	RB/RB SIZE	Frequency	Result						Conclusion
			SG Level	Cable Loss	Antenna Factor	Max. EIRP	Max. EIRP	Polarization	
			(dBm)	(dBm)	(dB)	Average	Average	Of Max. ERP	
					(dBm)	(mW)			
5.0MHz Band 16 QAM	25/0	2502.5	15.51	4.54	9.00	19.97	99.31	Horizontal	Pass
		2535	16.54	4.69	9.00	20.85	121.62	Horizontal	Pass
		2567.5	16.59	4.71	9.00	20.88	122.46	Horizontal	Pass
10.0MHz Band 16 QAM	50/0	2505	16.95	4.55	9.00	21.4	138.04	Horizontal	Pass
		2535	16.91	4.69	9.00	21.22	132.43	Horizontal	Pass
		2565	17.60	4.72	9.00	21.88	154.17	Horizontal	Pass
15.0MHz Band 16 QAM	75/0	2507.5	17.78	4.55	9.00	22.23	167.11	Horizontal	Pass
		2535	17.77	4.69	9.00	22.08	161.44	Horizontal	Pass
		2562.5	15.85	4.72	9.00	20.13	103.04	Horizontal	Pass
20.0MHz Band 16 QAM	100/0	2510	16.41	4.57	9.00	20.84	121.34	Horizontal	Pass
		2535	15.19	4.73	9.00	19.46	88.31	Horizontal	Pass
		2560	16.42	4.75	9.00	20.67	116.68	Horizontal	Pass
5.0MHz Band 16 QAM	25/0	2502.5	17.40	4.54	9.00	21.86	153.46	Vertical	Pass
		2535	18.23	4.69	9.00	22.54	179.47	Vertical	Pass
		2567.5	17.26	4.71	9.00	21.55	142.89	Vertical	Pass
10.0MHz Band 16 QAM	50/0	2505	16.38	4.55	9.00	20.83	121.06	Vertical	Pass
		2535	18.24	4.69	9.00	22.55	179.89	Vertical	Pass
		2565	16.42	4.72	9.00	20.7	117.49	Vertical	Pass
15.0MHz Band 16 QAM	75/0	2507.5	16.90	4.55	9.00	21.35	136.46	Vertical	Pass
		2535	17.05	4.69	9.00	21.36	136.77	Vertical	Pass
		2562.5	15.91	4.72	9.00	20.19	104.47	Vertical	Pass
20.0MHz Band 16 QAM	100/0	2510	18.20	4.57	9.00	22.63	183.23	Vertical	Pass
		2535	18.52	4.73	9.00	22.79	190.11	Vertical	Pass
		2560	17.72	4.75	9.00	21.97	157.40	Vertical	Pass

Note:

SG Level= Signal generator output

Max. EIRP Average (dBm)= Antenna Factor (dB)+ SG Level (dBm)- Cable Loss(dBm)

8.6 LTE BAND 12

Radiated Power (ERP) for Band 12										
Mode	RB/RB SIZE	Frequency	Result							Conclusion
			SG Level (dBm)	Cable Loss (dBm)	Antenna Gain (dB)	Correction (dB)	Max. EIRP Average (dBm)	Max. EIRP Average (mW)	Polarization Of Max. ERP	
1.4MHz Band QPSK	6/0	699.7	20.15	1.91	5.60	2.15	21.69	147.57	Horizontal	Pass
		707.5	21.13	1.91	5.70	2.15	22.77	189.23	Horizontal	Pass
		715.3	19.39	1.93	5.80	2.15	21.11	129.12	Horizontal	Pass
3.0MHz Band QPSK	15/0	700.5	19.70	1.91	5.60	2.15	21.24	133.05	Horizontal	Pass
		707.5	19.50	1.91	5.70	2.15	21.14	130.02	Horizontal	Pass
		714.5	20.19	1.93	5.80	2.15	21.91	155.24	Horizontal	Pass
5.0MHz Band QPSK	25/0	701.5	20.08	1.91	5.60	2.15	21.62	145.21	Horizontal	Pass
		707.5	20.74	1.91	5.70	2.15	22.38	172.98	Horizontal	Pass
		713.5	20.50	1.92	5.80	2.15	22.23	167.11	Horizontal	Pass
10.0MHz Band QPSK	50/0	704	19.76	1.91	5.60	2.15	21.3	134.90	Horizontal	Pass
		707.5	19.31	1.91	5.70	2.15	20.95	124.45	Horizontal	Pass
		711	18.72	1.92	5.80	2.15	20.45	110.92	Horizontal	Pass
1.4MHz Band QPSK	6/0	699.7	18.76	1.91	5.60	2.15	20.3	107.15	Vertical	Pass
		707.5	20.32	1.91	5.70	2.15	21.96	157.04	Vertical	Pass
		715.3	19.11	1.93	5.80	2.15	20.83	121.06	Vertical	Pass
3.0MHz Band QPSK	15/0	700.5	20.17	1.91	5.60	2.15	21.71	148.25	Vertical	Pass
		707.5	18.67	1.91	5.70	2.15	20.31	107.40	Vertical	Pass
		714.5	20.43	1.93	5.80	2.15	22.15	164.06	Vertical	Pass
5.0MHz Band QPSK	25/0	701.5	19.53	1.91	5.60	2.15	21.07	127.94	Vertical	Pass
		707.5	20.18	1.91	5.70	2.15	21.82	152.05	Vertical	Pass
		713.5	20.22	1.92	5.80	2.15	21.95	156.68	Vertical	Pass
10.0MHz Band QPSK	50/0	704	19.40	1.91	5.60	2.15	20.94	124.17	Vertical	Pass
		707.5	21.48	1.91	5.70	2.15	23.12	205.12	Vertical	Pass
		711	20.73	1.92	5.80	2.15	22.46	176.20	Vertical	Pass

Radiated Power (ERP) for Band 12										
Mode	RB/RB SIZE	Frequency	Result							Conclusion
			SG Level (dBm)	Cable Loss (dBm)	Antenna Gain (dB)	Correction (dB)	Max. EIRP Average (dBm)	Max. EIRP Average (mW)	Polarization Of Max. ERP	
1.4MHz Band 16 QAM	6/0	699.7	20.18	1.91	5.60	2.15	21.72	148.59	Horizontal	Pass
		707.5	20.49	1.91	5.70	2.15	22.13	163.31	Horizontal	Pass
		715.3	20.25	1.93	5.80	2.15	21.97	157.40	Horizontal	Pass
3.0MHz Band 16 QAM	15/0	700.5	21.17	1.91	5.60	2.15	22.71	186.64	Horizontal	Pass
		707.5	18.83	1.91	5.70	2.15	20.47	111.43	Horizontal	Pass
		714.5	19.35	1.93	5.80	2.15	21.07	127.94	Horizontal	Pass
5.0MHz Band 16 QAM	25/0	701.5	19.26	1.91	5.60	2.15	20.8	120.23	Horizontal	Pass
		707.5	21.44	1.91	5.70	2.15	23.08	203.24	Horizontal	Pass
		713.5	21.13	1.92	5.80	2.15	22.86	193.20	Horizontal	Pass
10.0MHz Band 16 QAM	50/0	704	20.66	1.91	5.60	2.15	22.2	165.96	Horizontal	Pass
		707.5	19.27	1.91	5.70	2.15	20.91	123.31	Horizontal	Pass
		711	20.89	1.92	5.80	2.15	22.62	182.81	Horizontal	Pass
1.4MHz Band 16 QAM	6/0	699.7	18.61	1.91	5.60	2.15	20.15	103.51	Vertical	Pass
		707.5	20.86	1.91	5.70	2.15	22.5	177.83	Vertical	Pass
		715.3	20.31	1.93	5.80	2.15	22.03	159.59	Vertical	Pass
3.0MHz Band 16 QAM	15/0	700.5	21.49	1.91	5.60	2.15	23.03	200.91	Vertical	Pass
		707.5	20.61	1.91	5.70	2.15	22.25	167.88	Vertical	Pass
		714.5	21.57	1.93	5.80	2.15	23.29	213.30	Vertical	Pass
5.0MHz Band 16 QAM	25/0	701.5	20.27	1.91	5.60	2.15	21.81	151.71	Vertical	Pass
		707.5	21.41	1.91	5.70	2.15	23.05	201.84	Vertical	Pass
		713.5	19.33	1.92	5.80	2.15	21.06	127.64	Vertical	Pass
10.0MHz Band 16 QAM	50/0	704	20.97	1.91	5.60	2.15	22.51	178.24	Vertical	Pass
		707.5	21.76	1.91	5.70	2.15	23.4	218.78	Vertical	Pass
		711	20.53	1.92	5.80	2.15	22.26	168.27	Vertical	Pass

Note:

SG Level= Signal generator output

Max. EIRP Average (dBm)= Antenna Gain(dB)+ SG Level (dBm)- Cable Loss(dBm)

Factor Gain(dB)=Antenna Gain(dB) + Amplifier Factor (dB)

ERP(dBm)=EIRP-2.15

8.7 LTE BAND 13

Radiated Power (ERP) for Band 13										
Mode	RB/RB SIZE	Frequency	Result							Conclusion
			SG Level (dBm)	Cable Loss (dBm)	Antenna Gain (dB)	Correction (dB)	Max. EIRP Average (dBm)	Max. EIRP Average (mW)	Polarization Of Max. ERP	
5.0MHz Band QPSK	25/0	779.5	21.62	1.91	5.60	2.15	23.16	207.01	Horizontal	Pass
		782	20.71	1.91	5.70	2.15	22.35	171.79	Horizontal	Pass
		784.5	20.96	1.92	5.80	2.15	22.69	185.78	Horizontal	Pass
10.0MHz Band QPSK	50/0	782	21.8	1.91	5.80	2.15	23.54	225.94	Horizontal	Pass
5.0MHz Band QPSK	25/0	779.5	18.82	1.91	5.60	2.15	20.36	108.64	Vertical	Pass
		782	21.32	1.91	5.70	2.15	22.96	197.70	Vertical	Pass
		784.5	20.84	1.92	5.80	2.15	22.57	180.72	Vertical	Pass
10.0MHz Band QPSK	50/0	782	21.32	1.91	5.80	2.15	23.06	202.30	Vertical	Pass

Radiated Power (ERP) for Band 13										
Mode	RB/RB SIZE	Frequency	Result							Conclusion
			SG Level (dBm)	Cable Loss (dBm)	Antenna Gain (dB)	Correction (dB)	Max. EIRP Average (dBm)	Max. EIRP Average (mW)	Polarization Of Max. ERP	
5.0MHz Band 16 QAM	25/0	779.5	20.82	1.91	5.60	2.15	22.36	172.19	Horizontal	Pass
		782	20.04	1.91	5.70	2.15	21.68	147.23	Horizontal	Pass
		784.5	20.66	1.92	5.80	2.15	22.39	173.38	Horizontal	Pass
10.0MHz Band 16 QAM	50/0	782	21.58	1.91	5.80	2.15	23.32	214.78	Horizontal	Pass
5.0MHz Band 16 QAM	25/0	779.5	20.11	1.91	5.60	2.15	21.65	146.22	Vertical	Pass
		782	20.72	1.91	5.70	2.15	22.36	172.19	Vertical	Pass
		784.5	20.92	1.92	5.80	2.15	22.65	184.08	Vertical	Pass
10.0MHz Band 16 QAM	50/0	782	20.95	1.91	5.80	2.15	22.69	185.78	Vertical	Pass

Note:

ERP=EIRP-2.15

SG Level= Signal generator output

Max. EIRP Average (dBm)= Antenna Factor (dB)+ SG Level (dBm)- Cable Loss(dBm)

8.8 LTE BAND 17

Radiated Power (ERP) for Band 17										
Mode	RB/RB SIZE	Frequency	Result							Conclusion
			SG Level (dBm)	Cable Loss (dBm)	Antenna Factor (dB)	Correction (dB)	Max. EIRP Average (dBm)	Max. EIRP Average (mW)	Polarization Of Max. ERP	
5.0MHz Band QPSK	25/0	706.5	20.39	1.91	5.60	2.15	21.93	155.96	Vertical	Pass
		710	19.92	1.91	5.70	2.15	21.56	143.22	Vertical	Pass
		713.5	20.04	1.92	5.80	2.15	21.77	150.31	Vertical	Pass
10.0MHz Band QPSK	50/0	709	19.61	1.91	5.60	2.15	21.15	130.32	Vertical	Pass
		710	20.72	1.91	5.70	2.15	22.36	172.19	Vertical	Pass
		711	19.58	1.92	5.80	2.15	21.31	135.21	Vertical	Pass
5.0MHz Band QPSK	25/0	706.5	19.74	1.91	5.60	2.15	21.28	134.28	Horizontal	Pass
		710	18.35	1.91	5.70	2.15	19.99	99.77	Horizontal	Pass
		713.5	20.31	1.92	5.80	2.15	22.04	159.96	Horizontal	Pass
10.0MHz Band QPSK	50/0	709	21.08	1.91	5.60	2.15	22.62	182.81	Horizontal	Pass
		710	20.28	1.91	5.70	2.15	21.92	155.60	Horizontal	Pass
		711	20.46	1.92	5.80	2.15	22.19	165.58	Horizontal	Pass

Radiated Power (ERP) for Band 17										
Mode	RB/RB SIZE	Frequency	Result							Conclusion
			SG Level (dBm)	Cable Loss (dBm)	Antenna Factor (dB)	Correction (dB)	Max. EIRP Average (dBm)	Max. EIRP Average (mW)	Polarization Of Max. ERP	
5.0MHz Band 16 QAM	25/0	706.5	16.81	1.91	5.6	2.15	21.74	149.28	Vertical	Pass
		710	16.39	1.91	5.7	2.15	21.23	132.74	Vertical	Pass
		713.5	17.43	1.92	5.8	2.15	22.27	168.66	Vertical	Pass
10.0MHz Band 16 QAM	50/0	709	15.91	1.91	5.6	2.15	21.98	157.76	Vertical	Pass
		710	15.84	1.91	5.7	2.15	21.94	156.31	Vertical	Pass
		711	15.59	1.92	5.8	2.15	22.13	163.31	Vertical	Pass
5.0MHz Band 16 QAM	25/0	706.5	17.52	1.91	5.6	2.15	22.4	173.78	Horizontal	Pass
		710	17.46	1.91	5.7	2.15	22.19	165.58	Horizontal	Pass
		713.5	16.25	1.92	5.8	2.15	22.17	164.82	Horizontal	Pass
10.0MHz Band 16 QAM	50/0	709	17.30	1.91	5.6	2.15	21.8	151.36	Horizontal	Pass
		710	17.57	1.91	5.7	2.15	22.81	190.99	Horizontal	Pass
		711	16.65	1.92	5.8	2.15	22.66	184.50	Horizontal	Pass

Note:

ERP=EIRP-2.15

SG Level= Signal generator output

Max. EIRP Average (dBm)= Antenna Factor (dB)+ SG Level (dBm)- Cable Loss(dBm)

8.9 LTE BAND 18

Radiated Power (ERP) for Band 18										
Mode	RB/RB SIZE	Frequency	Result							Conclusion
			SG Level (dBm)	Cable Loss (dBm)	Antenna Gain (dB)	Correction (dB)	Max. EIRP Average (dBm)	Max. EIRP Average (mW)	Polarization Of Max. ERP	
5.0MHz BW QPSK	25/0	817.5	22.02	3.77	5.60	2.15	21.7	147.91	Horizontal	Pass
		822.5	22.60	3.91	5.70	2.15	22.24	167.49	Horizontal	Pass
		827.5	23.00	3.94	5.80	2.15	22.71	186.64	Horizontal	Pass
10.0MHz BW QPSK	50/0	822.5	22.19	3.91	5.70	2.15	21.83	152.41	Horizontal	Pass
5.0MHz BW QPSK	6/0	817.5	21.93	3.79	5.60	2.15	21.59	144.21	Vertical	Pass
		822.5	23.18	3.95	5.70	2.15	22.78	189.67	Vertical	Pass
		827.5	22.19	3.97	5.80	2.15	21.87	153.82	Vertical	Pass
10.0MHz BW QPSK	50/0	822.5	23.32	3.91	5.70	2.15	22.96	197.70	Vertical	Pass

Radiated Power (ERP) for Band 18										
Mode	RB/RB SIZE	Frequency	Result							Conclusion
			SG Level (dBm)	Cable Loss (dBm)	Antenna Gain (dB)	Correction (dB)	Max. EIRP Average (dBm)	Max. EIRP Average (mW)	Polarization Of Max. ERP	
5.0MHz BW 16 QAM	25/0	817.5	21.79	3.77	5.60	2.15	21.47	140.28	Horizontal	Pass
		822.5	21.73	3.91	5.70	2.15	21.37	137.09	Horizontal	Pass
		827.5	22.44	3.94	5.80	2.15	22.15	164.06	Horizontal	Pass
10.0MHz BW 16 QAM	50/0	822.5	21.70	3.91	5.70	2.15	21.34	136.14	Horizontal	Pass
5MHz BW 16 QAM	6/0	817.5	22.27	3.79	5.60	2.15	21.93	155.96	Vertical	Pass
		822.5	22.55	3.95	5.70	2.15	22.15	164.06	Vertical	Pass
		827.5	21.08	3.97	5.80	2.15	20.76	119.12	Vertical	Pass
10.0MHz BW 16 QAM	50/0	822.5	22.68	3.91	5.70	2.15	22.32	170.61	Vertical	Pass

Note:

ERP=EIRP-2.15

SG Level= Signal generator output

Max. EIRP Average (dBm)= Antenna Factor (dB)+ SG Level (dBm)- Cable Loss(dBm)

8.10 LTE BAND 19

Radiated Power (ERP) for Band 19										
Mode	RB/RB SIZE	Frequency	Result							Conclusion
			SG Level (dBm)	Cable Loss (dBm)	Antenna Factor (dB)	Correction (dB)	Max. EIRP Average (dBm)	Max. EIRP Average (mW)	Polarization Of Max. ERP	
5.0MHz Band QPSK	25/0	832.5	18.92	2.01	5.30	2.15	20.06	101.39	Horizontal	Pass
		837.5	18.80	2.01	5.30	2.15	19.94	98.63	Horizontal	Pass
		842.5	20.20	2.02	5.70	2.15	21.73	148.94	Horizontal	Pass
10.0MHz Band QPSK	50/0	835	18.93	2.01	5.30	2.15	20.07	101.62	Horizontal	Pass
		837.5	19.18	2.01	5.30	2.15	20.32	107.65	Horizontal	Pass
		840	18.94	2.02	5.70	2.15	20.47	111.43	Horizontal	Pass
15.0MHz Band QPSK	75/0	837.5	19.91	2.01	5.30	2.15	21.05	127.35	Horizontal	Pass
5.0MHz Band QPSK	25/0	832.5	19.63	2.01	5.30	2.15	20.77	119.40	Vertical	Pass
		837.5	20.94	2.01	5.30	2.15	22.08	161.44	Vertical	Pass
		842.5	19.80	2.02	5.70	2.15	21.33	135.83	Vertical	Pass
10.0MHz Band QPSK	50/0	835	20.48	2.01	5.30	2.15	21.62	145.21	Vertical	Pass
		837.5	21.85	2.01	5.30	2.15	22.99	199.07	Vertical	Pass
		840	20.84	2.02	5.70	2.15	22.37	172.58	Vertical	Pass
15.0MHz Band QPSK	75/0	837.50	21.94	2.01	5.30	2.15	23.08	203.24	Vertical	Pass

Radiated Power (ERP) for Band 19										
Mode	RB/RB SIZE	Frequency	Result							Conclusion
			SG Level (dBm)	Cable Loss (dBm)	Antenna Factor (dB)	Correction (dB)	Max. EIRP Average (dBm)	Max. EIRP Average (mW)	Polarization Of Max. ERP	
5.0MHz Band 16 QAM	25/0	832.5	19.98	2.01	5.30	2.15	21.12	129.42	Horizontal	Pass
		837.5	20.09	2.01	5.30	2.15	21.23	132.74	Horizontal	Pass
		842.5	19.31	2.02	5.70	2.15	20.84	121.34	Horizontal	Pass
10.0MHz Band 16 QAM	50/0	835	19.62	2.01	5.30	2.15	20.76	119.12	Horizontal	Pass
		837.5	20.49	2.01	5.30	2.15	21.63	145.55	Horizontal	Pass
		840	20.35	2.02	5.70	2.15	21.88	154.17	Horizontal	Pass
15.0MHz Band QPSK	75/0	837.5	20.23	2.01	5.30	2.15	21.37	137.09	Horizontal	Pass
5.0MHz Band 16 QAM	25/0	832.5	20.88	2.01	5.30	2.15	22.02	159.22	Vertical	Pass
		837.5	19.95	2.01	5.30	2.15	21.09	128.53	Vertical	Pass
		842.5	21.12	2.02	5.70	2.15	22.65	184.08	Vertical	Pass
10.0MHz Band 16 QAM	50/0	835	20.51	2.01	5.30	2.15	21.65	146.22	Vertical	Pass
		837.5	21.01	2.01	5.30	2.15	22.15	164.06	Vertical	Pass
		840	19.75	2.02	5.70	2.15	21.28	134.28	Vertical	Pass
15.0MHz Band QPSK	75/0	837.5	21.60	2.01	5.30	2.15	22.74	187.93	Vertical	Pass

Note:

ERP=EIRP-2.15

SG Level= Signal generator output

Max. EIRP Average (dBm)= Antenna Factor (dB)+ SG Level (dBm)- Cable Loss(dBm)

8.11 LTE BAND 25

Radiated Power (EIRP) for Band 25									
Mode	RB/RB SIZE	Frequency	Result						Conclusion
			SG Level (dBm)	Cable Loss (dBm)	Antenna Gain (dB)	Max. EIRP Average (dBm)	Max. EIRP Average (mW)	Polarization Of Max. ERP	
1.4MHz Band QPSK	6/0	1850.7	16.74	3.12	8.90	22.52	178.65	Horizontal	Pass
		1882.5	15.48	3.27	8.90	21.11	129.12	Horizontal	Pass
		1914.3	16.76	3.29	8.90	22.37	172.58	Horizontal	Pass
3.0MHz Band QPSK	15/0	1851.5	16.49	3.13	8.90	22.26	168.27	Horizontal	Pass
		1882.5	17.33	3.27	8.90	22.96	197.70	Horizontal	Pass
		1913.5	15.82	3.30	8.90	21.42	138.68	Horizontal	Pass
5.0MHz Band QPSK	25/0	1852.5	14.94	3.13	8.90	20.71	117.76	Horizontal	Pass
		1882.5	15.51	3.27	8.90	21.14	130.02	Horizontal	Pass
		1912.5	16.60	3.30	8.90	22.2	165.96	Horizontal	Pass
10.0MHz Band QPSK	50/0	1855	15.19	3.15	8.90	20.94	124.17	Horizontal	Pass
		1882.5	16.36	3.31	8.90	21.95	156.68	Horizontal	Pass
		1910	15.92	3.33	8.90	21.49	140.93	Horizontal	Pass
15.0MHz Band QPSK	75/0	1857.5	16.88	3.15	8.90	22.63	183.23	Horizontal	Pass
		1882.5	16.65	3.31	8.90	22.24	167.49	Horizontal	Pass
		1907.5	16.42	3.33	8.90	21.99	158.12	Horizontal	Pass
20.0MHz Band QPSK	100/0	1860	14.51	3.17	8.90	20.24	105.68	Horizontal	Pass
		1882.5	17.17	3.32	8.90	22.75	188.36	Horizontal	Pass
		1905	15.30	3.36	8.90	20.84	121.34	Horizontal	Pass
1.4MHz Band QPSK	6/0	1850.7	17.17	3.12	8.90	22.95	197.24	Vertical	Pass
		1882.5	16.71	3.27	8.90	22.34	171.40	Vertical	Pass
		1914.3	16.00	3.29	8.90	21.61	144.88	Vertical	Pass
3.0MHz Band QPSK	15/0	1851.5	15.59	3.13	8.90	21.36	136.77	Vertical	Pass
		1882.5	16.18	3.27	8.90	21.81	151.71	Vertical	Pass
		1913.5	16.77	3.30	8.90	22.37	172.58	Vertical	Pass
5.0MHz Band QPSK	25/0	1852.5	17.68	3.13	8.90	23.45	221.31	Vertical	Pass
		1882.5	15.47	3.27	8.90	21.1	128.82	Vertical	Pass
		1912.5	16.61	3.30	8.90	22.21	166.34	Vertical	Pass
10.0MHz Band	50/0	1855	15.59	3.15	8.90	21.34	136.14	Vertical	Pass
		1882.5	16.85	3.31	8.90	22.44	175.39	Vertical	Pass

QPSK		1910	15.02	3.33	8.90	20.59	114.55	Vertical	Pass
15.0MHz	75/0	1857.5	15.85	3.15	8.90	21.6	144.54	Vertical	Pass
Band		1882.5	17.29	3.31	8.90	22.88	194.09	Vertical	Pass
QPSK		1907.5	15.30	3.33	8.90	20.87	122.18	Vertical	Pass
20.0MHz	100/0	1860	14.37	3.17	8.90	20.1	102.33	Vertical	Pass
Band		1882.5	17.95	3.32	8.90	23.53	225.42	Vertical	Pass
QPSK		1905	17.26	3.36	8.90	22.8	190.55	Vertical	Pass

Radiated Power (EIRP) for Band 25									
Mode	RB/RB SIZE	Frequency	Result						Conclusion
			SG Level (dBm)	Cable Loss (dBm)	Antenna Gain (dB)	Max. EIRP Average (dBm)	Max. EIRP Average (mW)	Polarization Of Max. ERP	
1.4MHz Band 16 QAM	6/0	1850.7	16.33	3.12	8.90	22.11	162.55	Horizontal	Pass
		1882.5	15.73	3.27	8.90	21.36	136.77	Horizontal	Pass
		1914.3	15.36	3.29	8.90	20.97	125.03	Horizontal	Pass
3.0MHz Band 16 QAM	15/0	1851.5	15.01	3.13	8.90	20.78	119.67	Horizontal	Pass
		1882.5	15.06	3.27	8.90	20.69	117.22	Horizontal	Pass
		1913.5	15.42	3.30	8.90	21.02	126.47	Horizontal	Pass
5.0MHz Band 16 QAM	25/0	1852.5	15.28	3.13	8.90	21.05	127.35	Horizontal	Pass
		1882.5	15.86	3.27	8.90	21.49	140.93	Horizontal	Pass
		1912.5	15.66	3.30	8.90	21.26	133.66	Horizontal	Pass
10.0MHz Band 16 QAM	50/0	1855	15.59	3.15	8.90	21.34	136.14	Horizontal	Pass
		1882.5	15.06	3.31	8.90	20.65	116.14	Horizontal	Pass
		1910	16.18	3.33	8.90	21.75	149.62	Horizontal	Pass
15.0MHz Band 16 QAM	75/0	1857.5	15.45	3.15	8.90	21.2	131.83	Horizontal	Pass
		1882.5	15.10	3.31	8.90	20.69	117.22	Horizontal	Pass
		1907.5	15.35	3.33	8.90	20.92	123.59	Horizontal	Pass
20.0MHz Band 16 QAM	100/0	1860	14.53	3.17	8.90	20.26	106.17	Horizontal	Pass
		1882.5	14.83	3.32	8.90	20.41	109.90	Horizontal	Pass
		1905	13.79	3.36	8.90	19.33	85.70	Horizontal	Pass
1.4MHz Band 16 QAM	6/0	1850.7	16.16	3.12	8.90	21.94	156.31	Vertical	Pass
		1882.5	15.00	3.27	8.90	20.63	115.61	Vertical	Pass
		1914.3	15.92	3.29	8.90	21.53	142.23	Vertical	Pass
3.0MHz Band 16 QAM	15/0	1851.5	14.93	3.13	8.90	20.7	117.49	Vertical	Pass
		1882.5	15.40	3.27	8.90	21.03	126.77	Vertical	Pass
		1913.5	16.12	3.30	8.90	21.72	148.59	Vertical	Pass

5.0MHz	25/0	1852.5	16.13	3.13	8.90	21.9	154.88	Vertical	Pass
Band 16		1882.5	14.33	3.27	8.90	19.96	99.08	Vertical	Pass
QAM		1912.5	15.96	3.30	8.90	21.56	143.22	Vertical	Pass
10.0MHz	50/0	1855	15.84	3.15	8.90	21.59	144.21	Vertical	Pass
Band 16		1882.5	15.82	3.31	8.90	21.41	138.36	Vertical	Pass
QAM		1910	16.09	3.33	8.90	21.66	146.55	Vertical	Pass
15.0MHz	75/0	1857.5	15.81	3.15	8.90	21.56	143.22	Vertical	Pass
Band 16		1882.5	16.74	3.31	8.90	22.33	171.00	Vertical	Pass
QAM		1907.5	16.69	3.33	8.90	22.26	168.27	Vertical	Pass
20.0MHz	100/0	1860	16.38	3.17	8.90	22.11	162.55	Vertical	Pass
Band 16		1882.5	16.85	3.32	8.90	22.43	174.98	Vertical	Pass
QAM		1905	15.56	3.36	8.90	21.1	128.82	Vertical	Pass

Note:

ERP=EIRP-2.15

SG Level= Signal generator output

Max. EIRP Average (dBm)= Antenna Factor (dB)+ SG Level (dBm)- Cable Loss(dBm)

8.12 LTE BAND 38

Radiated Power (EIRP) for Band 38									
Mode	RB/RB SIZE	Frequency	Result					Polarization Of Max. ERP	Conclusion
			SG Level	Cable Loss	Antenna Gain	Max. EIRP	Max. EIRP		
			(dBm)	(dBm)	(dB)	Average (dBm)	Average (mW)		
5.0MHz Band QPSK	25/0	2572.5	18.47	4.54	9.00	22.93	196.34	Horizontal	Pass
		2595	19.25	4.69	9.00	23.56	226.99	Horizontal	Pass
		2617.5	16.73	4.71	9.00	21.02	126.47	Horizontal	Pass
10.0MHz Band QPSK	50/0	2575	18.28	4.55	9.00	22.73	187.50	Horizontal	Pass
		2595	18.55	4.69	9.00	22.86	193.20	Horizontal	Pass
		2615	20.05	4.72	9.00	24.33	271.02	Horizontal	Pass
15.0MHz Band QPSK	75/0	2577.5	19.47	4.55	9.00	23.92	246.60	Horizontal	Pass
		2595	18.69	4.69	9.00	23	199.53	Horizontal	Pass
		2612.5	18.12	4.72	9.00	22.4	173.78	Horizontal	Pass
20.0MHz Band QPSK	100/0	2580	17.18	4.57	9.00	21.61	144.88	Horizontal	Pass
		2595	18.88	4.73	9.00	23.15	206.54	Horizontal	Pass
		2610	18.29	4.75	9.00	22.54	179.47	Horizontal	Pass
5.0MHz Band QPSK	25/0	2572.5	19.17	4.54	9.00	23.63	230.67	Vertical	Pass
		2595	18.84	4.69	9.00	23.15	206.54	Vertical	Pass
		2617.5	18.86	4.71	9.00	23.15	206.54	Vertical	Pass
10.0MHz Band QPSK	50/0	2575	17.92	4.55	9.00	22.37	172.58	Vertical	Pass
		2595	20.33	4.69	9.00	24.64	291.07	Vertical	Pass
		2615	19.14	4.72	9.00	23.42	219.79	Vertical	Pass
15.0MHz Band QPSK	75/0	2577.5	18.76	4.55	9.00	23.21	209.41	Vertical	Pass
		2595	18.88	4.69	9.00	23.19	208.45	Vertical	Pass
		2612.5	19.97	4.72	9.00	24.25	266.07	Vertical	Pass
20.0MHz Band QPSK	100/0	2580	18.87	4.57	9.00	23.3	213.80	Vertical	Pass
		2595	19.00	4.73	9.00	23.27	212.32	Vertical	Pass
		2610	20.63	4.75	9.00	24.88	307.61	Vertical	Pass

Radiated Power (EIRP) for Band 38									
Mode	RB/RB SIZE	Frequency	Result					Polarization Of Max. ERP	Conclusion
			SG Level	Cable Loss	Antenna Gain	Max. EIRP	Max. EIRP		
			(dBm)	(dBm)	(dB)	Average (dBm)	Average (mW)		
5.0MHz Band 16 QAM	25/0	2572.5	17.71	4.54	9.00	22.17	164.82	Horizontal	Pass
		2595	16.97	4.69	9.00	21.28	134.28	Horizontal	Pass
		2617.5	18.62	4.71	9.00	22.91	195.43	Horizontal	Pass
10.0MHz Band 16 QAM	50/0	2575	17.36	4.55	9.00	21.81	151.71	Horizontal	Pass
		2595	17.67	4.69	9.00	21.98	157.76	Horizontal	Pass
		2615	19.26	4.72	9.00	23.54	225.94	Horizontal	Pass
15.0MHz Band 16 QAM	75/0	2577.5	18.59	4.55	9.00	23.04	201.37	Horizontal	Pass
		2595	18.47	4.69	9.00	22.78	189.67	Horizontal	Pass
		2612.5	18.82	4.72	9.00	23.1	204.17	Horizontal	Pass
20.0MHz Band 16 QAM	100/0	2580	19.40	4.57	9.00	23.83	241.55	Horizontal	Pass
		2595	17.57	4.73	9.00	21.84	152.76	Horizontal	Pass
		2610	18.58	4.75	9.00	22.83	191.87	Horizontal	Pass
5.0MHz Band 16 QAM	25/0	2572.5	17.04	4.54	9.00	21.5	141.25	Vertical	Pass
		2595	18.20	4.69	9.00	22.51	178.24	Vertical	Pass
		2617.5	19.04	4.71	9.00	23.33	215.28	Vertical	Pass
10.0MHz Band 16 QAM	50/0	2575	18.03	4.55	9.00	22.48	177.01	Vertical	Pass
		2595	19.64	4.69	9.00	23.95	248.31	Vertical	Pass
		2615	17.52	4.72	9.00	21.8	151.36	Vertical	Pass
15.0MHz Band 16 QAM	75/0	2577.5	19.39	4.55	9.00	23.84	242.10	Vertical	Pass
		2595	18.51	4.69	9.00	22.82	191.43	Vertical	Pass
		2612.5	17.91	4.72	9.00	22.19	165.58	Vertical	Pass
20.0MHz Band 16 QAM	100/0	2580	20.48	4.57	9.00	24.91	309.74	Vertical	Pass
		2595	19.14	4.73	9.00	23.41	219.28	Vertical	Pass
		2610	20.09	4.75	9.00	24.34	271.64	Vertical	Pass

Note:

SG Level= Signal generator output

Max. EIRP Average (dBm)= Factor Gain (dB)+ SG Level (dBm)- Cable Loss(dBm)

Factor Gain(dB)=Antenna Gain(dB) + Amplifier Factor (dB)

8.13 LTE BAND 41

Radiated Power (EIRP) for Band 41									
Mode	RB/RB SIZE	Frequency	Result						Conclusion
			SG Level (dBm)	Cable Loss (dBm)	Antenna Gain (dB)	Max. EIRP Average (dBm)	Max. EIRP Average (mW)	Polarization Of Max. ERP	
5.0MHz Band QPSK	25/0	2498.5	17.70	4.54	9.00	22.16	164.44	Horizontal	Pass
		2593	17.97	4.69	9.00	22.28	169.04	Horizontal	Pass
		2687.5	16.44	4.71	9.00	20.73	118.30	Horizontal	Pass
10.0MHz Band QPSK	50/0	2501	17.91	4.55	9.00	22.36	172.19	Horizontal	Pass
		2593	17.67	4.69	9.00	21.98	157.76	Horizontal	Pass
		2685	17.04	4.72	9.00	21.32	135.52	Horizontal	Pass
15.0MHz Band QPSK	75/0	2503.5	15.47	4.55	9.00	19.92	98.17	Horizontal	Pass
		2593	18.34	4.69	9.00	22.65	184.08	Horizontal	Pass
		2682.5	17.75	4.72	9.00	22.03	159.59	Horizontal	Pass
20.0MHz Band QPSK	100/0	2506	16.66	4.57	9.00	21.09	128.53	Horizontal	Pass
		2593	17.20	4.73	9.00	21.47	140.28	Horizontal	Pass
		2680	18.44	4.75	9.00	22.69	185.78	Horizontal	Pass
5.0MHz Band QPSK	25/0	2498.5	17.85	4.54	9.00	22.31	170.22	Vertical	Pass
		2593	16.98	4.69	9.00	21.29	134.59	Vertical	Pass
		2687.5	16.91	4.71	9.00	21.2	131.83	Vertical	Pass
10.0MHz Band QPSK	50/0	2501	16.62	4.55	9.00	21.07	127.94	Vertical	Pass
		2593	16.86	4.69	9.00	21.17	130.92	Vertical	Pass
		2685	17.38	4.72	9.00	21.66	146.55	Vertical	Pass
15.0MHz Band QPSK	75/0	2503.5	15.64	4.55	9.00	20.09	102.09	Vertical	Pass
		2593	18.62	4.69	9.00	22.93	196.34	Vertical	Pass
		2682.5	16.80	4.72	9.00	21.08	128.23	Vertical	Pass
20.0MHz Band QPSK	100/0	2506	18.94	4.57	9.00	23.37	217.27	Vertical	Pass
		2593	17.09	4.73	9.00	21.36	136.77	Vertical	Pass
		2680	17.69	4.75	9.00	21.94	156.31	Vertical	Pass

Radiated Power (EIRP) for Band 41									
Mode	RB/RB SIZE	Frequency	Result						Conclusion
			SG Level (dBm)	Cable Loss (dBm)	Antenna Gain (dB)	Max. EIRP Average (dBm)	Max. EIRP Average (mW)	Polarization Of Max. ERP	
5.0MHz Band 16 QAM	25/0	2498.5	15.93	4.54	9.00	20.39	109.40	Horizontal	Pass
		2593	16.44	4.69	9.00	20.75	118.85	Horizontal	Pass
		2687.5	17.41	4.71	9.00	21.7	147.91	Horizontal	Pass
10.0MHz Band 16 QAM	50/0	2501	17.58	4.55	9.00	22.03	159.59	Horizontal	Pass
		2593	18.07	4.69	9.00	22.38	172.98	Horizontal	Pass
		2685	17.92	4.72	9.00	22.2	165.96	Horizontal	Pass
15.0MHz Band 16 QAM	75/0	2503.5	18.43	4.55	9.00	22.88	194.09	Horizontal	Pass
		2593	18.04	4.69	9.00	22.35	171.79	Horizontal	Pass
		2682.5	18.19	4.72	9.00	22.47	176.60	Horizontal	Pass
20.0MHz Band 16 QAM	100/0	2506	17.37	4.57	9.00	21.8	151.36	Horizontal	Pass
		2593	17.32	4.73	9.00	21.59	144.21	Horizontal	Pass
		2680	18.81	4.75	9.00	23.06	202.30	Horizontal	Pass
5.0MHz Band 16 QAM	25/0	2498.5	18.26	4.54	9.00	22.72	187.07	Vertical	Pass
		2593	17.53	4.69	9.00	21.84	152.76	Vertical	Pass
		2687.5	17.75	4.71	9.00	22.04	159.96	Vertical	Pass
10.0MHz Band 16 QAM	50/0	2501	18.54	4.55	9.00	22.99	199.07	Vertical	Pass
		2593	17.23	4.69	9.00	21.54	142.56	Vertical	Pass
		2685	16.52	4.72	9.00	20.8	120.23	Vertical	Pass
15.0MHz Band 16 QAM	75/0	2503.5	17.56	4.55	9.00	22.01	158.85	Vertical	Pass
		2593	16.88	4.69	9.00	21.19	131.52	Vertical	Pass
		2682.5	17.67	4.72	9.00	21.95	156.68	Vertical	Pass
20.0MHz Band 16 QAM	100/0	2506	17.83	4.57	9.00	22.26	168.27	Vertical	Pass
		2593	18.89	4.73	9.00	23.16	207.01	Vertical	Pass
		2680	17.91	4.75	9.00	22.16	164.44	Vertical	Pass

Note:

SG Level= Signal generator output

Max. EIRP Average (dBm)= Antenna Gain(dB)+ SG Level (dBm)- Cable Loss(dBm)

Factor Gain(dB)=Antenna Gain(dB) + Amplifier Factor (dB)

9. SPURIOUS RADIATION EMISSION

RULE PART(S)

FCC: §2.1053, §22.917, §24.238, §27.53 and §90.691

LIMIT

§22.917 (e) and §24.238 and §90.691 (a): Out of band emissions. The power of any emission outside of the authorized operating frequency ranges must be attenuated below the transmitting power (P) by a factor of at least $43 + 10 \log (P)$ dB.

§27.53 (g) For operations in the 698–746 MHz band, the power of any emission outside a licensee's frequency band(s) of operation shall be attenuated below the transmitter power (P) within the licensed band(s) of operation, measured in watts, by at least $43 + 10 \log (P)$ dB.

§27.53 (h) For operations in the 1710–1755 MHz and 2110–2155 MHz bands, the power of any emission outside a licensee's frequency block shall be attenuated below the transmitter power (P) by at least $43 + 10 \log_{10}(P)$ dB.

TEST PROCEDURE

For Cellular equipment - Compliance with these rules is based on the use of measurement instrumentation employing a resolution bandwidth of 100 kHz or greater. In the 1 MHz bands immediately outside and adjacent to the frequency block a resolution bandwidth of at least one percent of the emission bandwidth of the fundamental emission of the transmitter may be employed. A narrower resolution bandwidth is permitted in all cases to improve measurement accuracy provided the measured power is integrated over the full required measurement bandwidth (i.e. 100 kHz or 1 percent of emission bandwidth, as specified). The emission bandwidth is defined as the width of the signal between two points, one below the carrier center frequency and one above the carrier center frequency, outside of which all emissions are attenuated at least 26 dB below the transmitter power.

For PCS equipment - Compliance with these rules is based on the use of measurement instrumentation employing a resolution bandwidth of 1 MHz or greater. However, in the 1 MHz bands immediately outside and adjacent to the frequency block a resolution bandwidth of at least one percent of the emission bandwidth of the fundamental emission of the transmitter may be employed. A narrower resolution bandwidth is permitted in all cases to improve measurement accuracy provided the measured power is integrated over the full required measurement bandwidth (i.e. 1 MHz or 1 percent of emission bandwidth, as specified). The emission bandwidth is defined as the width of the signal between two points, one below the carrier center frequency and one above the carrier center frequency, outside of which all emissions are attenuated at least 26 dB below the transmitter power.

The unwanted emission power shall be measured with a resolution bandwidth of at least 1% of the occupied bandwidth in the 1 MHz band immediately outside and adjacent to the channel edge of the equipment. Beyond the 1 MHz band immediately outside the channel edge of the equipment, a resolution bandwidth of 1 MHz shall be employed. A narrower resolution bandwidth is allowed to be used provided that the measured power is integrated over the full required measurement bandwidth of 1 MHz or 1% of the occupied bandwidth as applicable.

The power of any unwanted emissions measured from the channel edge of the equipment shall be attenuated below the transmitter power, P (dBW), as follows:

- a. for base station and subscriber equipment, other than mobile subscriber equipment, the attenuation shall not be less than $43 + 10 \text{ Log}_{10}(p)$, dB; and
- b. for mobile subscriber equipment, the attenuation shall not be less than $43 + 10 \text{ Log}_{10}(p)$, dB at the channel edges and $55 + 10 \text{ Log}_{10}(p)$ at 5.5 MHz away and beyond the channel edges where p in (a) and (b) is the transmitter power measured in watts.

MODES TESTED

LTE Band 2/4/5/7/12/13/17/18/19/25/38/41

RESULTS

PASS

9.1 LTE BAND 2

QPSK EIRP POWER FOR LTE BAND 2 (1.4MHZ BANDWIDTH)

Test Results for Low Channel 1850.7MHz							
Frequency(MHz)	SG Level(dBm)	Cable Loss(dB)	Antenna Gain(dB)	Absolute Level(dBm)	Limit (dBm)	Margin(dBm)	Polarity
3701.4	-49.17	4.04	33.51	-19.70	-13	-6.70	Horizontal
3701.4	-48.67	4.04	33.51	-19.20	-13	-6.20	Vertical
5552.1	-53.91	5.24	35.84	-23.31	-13	-10.31	Vertical
5552.1	-64.03	5.24	35.84	-33.43	-13	-20.43	Horizontal
Test Results for Mid Channel 1880MHz							
3760	-48.46	4.04	33.56	-18.94	-13	-5.94	Horizontal
3760	-50.89	4.04	33.56	-21.37	-13	-8.37	Vertical
5640	-50.08	5.24	35.91	-19.41	-13	-6.41	Vertical
5640	-52.26	5.24	35.91	-21.59	-13	-8.59	Horizontal
Test Results for High Channel 1909.3MHz							
3818.6	-49.99	4.04	34.00	-20.03	-13	-7.03	Horizontal
3818.6	-53.33	4.04	34.00	-23.37	-13	-10.37	Vertical
5727.9	-55.31	5.24	36.04	-24.51	-13	-11.51	Vertical
5727.9	-54.87	5.24	36.04	-24.07	-13	-11.07	Horizontal

QPSK EIRP POWER FOR LTE BAND 2 (20.0MHZ BANDWIDTH)

Test Results for Low Channel 1860MHz							
Frequency(MHz)	SG Level(dBm)	Cable Loss(dB)	Antenna Gain(dB)	Absolute Level(dBm)	Limit (dBm)	Margin(dBm)	Polarity
3720	-53.46	4.07	33.54	-23.99	-13	-10.99	Horizontal
3720	-47.56	4.07	33.54	-18.09	-13	-5.09	Vertical
5580	-54.08	5.28	35.86	-23.50	-13	-10.50	Vertical
5580	-56.63	5.28	35.86	-26.05	-13	-13.05	Horizontal
Test Results for Mid Channel 1880MHz							
3760	-52.05	4.04	33.56	-22.53	-13	-9.53	Horizontal
3760	-48.57	4.04	33.56	-19.05	-13	-6.05	Vertical
5640	-52.01	5.24	35.91	-21.34	-13	-8.34	Vertical
5640	-54.22	5.24	35.91	-23.55	-13	-10.55	Horizontal
Test Results for High Channel 1900MHz							
3800	-49.05	4.04	34.00	-19.09	-13	-6.09	Horizontal
3800	-51.36	4.04	34.00	-21.40	-13	-8.40	Vertical
5700	-53.29	5.24	36.04	-22.49	-13	-9.49	Vertical
5700	-54.17	5.24	36.04	-23.37	-13	-10.37	Horizontal

Note: $P_{Mea}(dBm) = Power(dBm) + ARpl (dBm)$

. Over Limit = $P_{Mea}(dBm) - Limit(dBm)$

. Both QPSK and 16QAM has been tested, the worst case is QPSK mode, the report just reported the worst case.

9.2 LTE BAND 4

QPSK EIRP POWER FOR LTE BAND 4 (1.4MHZ BANDWIDTH)

Test Results for Low Channel 1710.7MHz							
Frequency(MHz)	SG Level(dBm)	Cable Loss(dB)	Antenna Gain(dB)	Absolute Level(dBm)	Limit (dBm)	Margin(dBm)	Polarity
3421.4	-53.87	4.02	29.80	-28.09	-13	-15.09	Horizontal
3421.4	-52.19	4.02	29.80	-26.41	-13	-13.41	Vertical
5132.1	-56.42	5.24	35.84	-25.82	-13	-12.82	Vertical
5132.1	-58.03	5.24	35.84	-27.43	-13	-14.43	Horizontal
Test Results for Mid Channel 1732.5MHz							
3465	-45.53	4.03	30.00	-19.56	-13	-6.56	Horizontal
3465	-51.53	4.03	30.00	-25.56	-13	-12.56	Vertical
5197.5	-52.04	5.25	35.86	-21.43	-13	-8.43	Vertical
5197.5	-52.90	5.25	35.86	-22.29	-13	-9.29	Horizontal
Test Results for High Channel 1754.3MHz							
3508.6	-47.34	4.05	30.01	-21.38	-13	-8.38	Horizontal
3508.6	-55.65	4.05	30.01	-29.69	-13	-16.69	Vertical
5262.9	-52.89	5.26	35.86	-22.29	-13	-9.29	Vertical
5262.9	-51.56	5.26	35.86	-20.96	-13	-7.96	Horizontal

QPSK EIRP POWER FOR LTE BAND 4 (20.0MHZ BANDWIDTH)

Test Results for Low Channel 1720MHz							
Frequency(MHz)	SG Level(dBm)	Cable Loss(dB)	Antenna Gain(dB)	Absolute Level(dBm)	Limit (dBm)	Margin(dBm)	Polarity
3440	-51.36	4.02	29.80	-25.58	-13	-12.58	Horizontal
3440	-52.63	4.02	29.80	-26.85	-13	-13.85	Vertical
5160	-54.80	5.24	35.84	-24.20	-13	-11.20	Vertical
5160	-57.49	5.24	35.84	-26.89	-13	-13.89	Horizontal
Test Results for Mid Channel 1732.5MHz							
3465	-45.44	4.03	30.00	-19.47	-13	-6.47	Horizontal
3465	-48.75	4.03	30.00	-22.78	-13	-9.78	Vertical
5197.5	-56.01	5.25	35.86	-25.40	-13	-12.40	Vertical
5197.5	-52.82	5.25	35.86	-22.21	-13	-9.21	Horizontal
Test Results for High Channel 1745MHz							
2490	-48.89	2.91	27.68	-24.12	-13	-11.12	Horizontal
3490	-51.23	2.91	27.68	-26.46	-13	-13.46	Vertical
5235	-55.81	5.26	35.86	-25.21	-13	-12.21	Vertical
5235	-54.29	5.26	35.86	-23.69	-13	-10.69	Horizontal

Note: $P_{Mea}(dBm) = Power(dBm) + ARpl (dBm)$

Over Limit = $P_{Mea}(dBm) - Limit(dBm)$

Both QPSK and 16QAM has been tested, the worst case is QPSK mode, the report just reported the worst case.

9.3 LTE BAND 5

QPSK EIRP POWER FOR LTE BAND 5 (1.4MHZ BANDWIDTH)

Test Results for Low Channel 824.7MHz							
Frequency(MHz)	SG Level(dBm)	Cable Loss(dB)	Antenna Gain(dB)	Absolute Level(dBm)	Limit (dBm)	Margin(dBm)	Polarity
1649.4	-45.21	2.78	27.50	-20.49	-13	-7.49	Horizontal
1649.4	-53.69	2.78	27.50	-28.97	-13	-15.97	Vertical
2474.1	-49.03	2.90	27.80	-24.13	-13	-11.13	Vertical
2474.1	-49.57	2.90	27.80	-24.67	-13	-11.67	Horizontal
Test Results For Mid Channel 836.5MHz							
1673	-47.72	2.78	27.48	-23.02	-13	-10.02	Horizontal
1673	-46.93	2.78	27.48	-22.23	-13	-9.23	Vertical
2509.5	-48.43	2.91	27.70	-23.64	-13	-10.64	Vertical
2509.5	-46.12	2.91	27.70	-21.33	-13	-8.33	Horizontal
Test Results for High Channel 848.3MHz							
1696.6	-48.54	2.78	27.43	-23.89	-13	-10.89	Horizontal
1696.6	-50.78	2.78	27.43	-26.13	-13	-13.13	Vertical
2544.9	-47.59	2.92	27.74	-22.77	-13	-9.77	Vertical
2544.9	-48.38	2.92	27.74	-23.56	-13	-10.56	Horizontal

QPSK EIRP POWER FOR LTE BAND 5 (10MHZ BANDWIDTH)

Test Results for Low Channel 829MHz							
Frequency(MHz)	SG Level(dBm)	Cable Loss(dB)	Antenna Gain(dB)	Absolute Level(dBm)	Limit (dBm)	Margin(dBm)	Polarity
1658	-48.66	2.78	27.50	-23.94	-13	-10.94	Horizontal
1658	-47.49	2.78	27.50	-22.77	-13	-9.77	Vertical
2487	-49.35	2.90	27.80	-24.45	-13	-11.45	Vertical
2487	-51.13	2.90	27.80	-26.23	-13	-13.23	Horizontal
Test Results for Mid Channel 836.5MHz							
1673	-48.20	2.78	27.48	-23.50	-13	-10.50	Horizontal
1673	-49.36	2.78	27.48	-24.66	-13	-11.66	Vertical
2509.5	-53.28	2.91	27.70	-28.49	-13	-15.49	Vertical
2509.5	-47.79	2.91	27.70	-23.00	-13	-10.00	Horizontal
Test Results for High Channel 844MHz							
1688	-50.32	2.78	27.43	-25.67	-13	-12.67	Horizontal
1688	-46.33	2.78	27.43	-21.68	-13	-8.68	Vertical
2532	-47.35	2.92	27.74	-22.53	-13	-9.53	Vertical
2532	-45.20	2.92	27.74	-20.38	-13	-7.38	Horizontal

Note: P_{Mea}(dBm)= Power(dBm)+ AR_{pl} (dBm)

. Over Limit= : P_{Mea}(dBm)-Limit(dBm)

. Both QPSK and 16QAM has been tested, the worst case is QPSK mode, the report just reported the worst case.

9.4 LTE BAND 7

QPSK EIRP POWER FOR LTE BAND 7 (5.0MHZ BANDWIDTH)

Test Results for Low Channel 2502.5MHz							
Frequency(MHz)	SG Level(dBm)	Cable Loss(dB)	Antenna Factor(dB)	Absolute Level(dBm)	Limit (dBm)	Margin(dBm)	Polarity
5005	-64.86	5.23	35.81	-34.28	-25	-9.28	Horizontal
5005	-63.66	5.23	35.81	-33.08	-25	-8.08	Vertical
7507.5	-68.73	5.67	36.85	-37.55	-25	-12.55	Vertical
7507.5	-63.84	5.67	36.85	-32.66	-25	-7.66	Horizontal
Test Results for Mid Channel 2535MHz							
5070	-62.58	5.23	35.82	-31.99	-25	-6.99	Horizontal
5070	-65.08	5.23	35.82	-34.49	-25	-9.49	Vertical
7605	-65.95	5.67	36.85	-34.77	-25	-9.77	Vertical
7605	-66.49	5.67	36.85	-35.31	-25	-10.31	Horizontal
Test Results for High Channel 2567.5MHz							
5135	-67.12	5.24	35.83	-36.53	-25	-11.53	Horizontal
5135	-63.52	5.24	35.83	-32.93	-25	-7.93	Vertical
7702.5	-65.10	5.68	36.87	-33.91	-25	-8.91	Vertical
7702.5	-67.82	5.68	36.87	-36.63	-25	-11.63	Horizontal

QPSK EIRP POWER FOR LTE BAND 7 (20.0MHZ BANDWIDTH)

Test Results for Low Channel 2510MHz							
Frequency(MHz)	SG Level(dBm)	Cable Loss(dB)	Antenna Factor(dB)	Absolute Level(dBm)	Limit (dBm)	Margin(dBm)	Polarity
5020	-65.26	5.23	35.82	-34.67	-25	-9.67	Horizontal
5020	-62.33	5.23	35.82	-31.74	-25	-6.74	Vertical
7530	-66.07	5.67	36.86	-34.88	-25	-9.88	Vertical
7530	-60.93	5.67	36.86	-29.74	-25	-4.74	Horizontal
Test Results for Mid Channel 2535MHz							
5070	-63.33	5.23	35.82	-32.74	-25	-7.74	Horizontal
5070	-62.25	5.23	35.82	-31.66	-25	-6.66	Vertical
7605	-63.35	5.67	36.85	-32.17	-25	-7.17	Vertical
7605	-66.21	5.67	36.85	-35.03	-25	-10.03	Horizontal
Test Results for High Channel 2560MHz							
5120	-60.94	5.24	35.83	-30.35	-25	-5.35	Horizontal
5120	-66.01	5.24	35.83	-35.42	-25	-10.42	Vertical
7680	-65.47	5.70	36.88	-34.29	-25	-9.29	Vertical
7680	-65.54	5.70	36.88	-34.36	-25	-9.36	Horizontal

Note: Spurious Emission Level = Spectrum Analyzer Read Value + Cable Loss+ Antenna Factor + 11.74

. Margin = Spurious Emission Level - Limit

. Both QPSK and 16QAM has been tested, the worst case is QPSK mode, the report just reported the worst case.

9.5 LTE BAND 12

QPSK EIRP POWER FOR LTE BAND 12 (1.4MHZ BANDWIDTH)

Test Results for Low Channel 699.7MHz							
Frequency(MHz)	SG Level(dBm)	Cable Loss(dB)	Antenna Gain(dB)	Absolute Level(dBm)	Limit (dBm)	Margin(dBm)	Polarity
1399.4	-45.10	2.60	27.2	-20.50	-13	-7.50	Horizontal
1399.4	-46.22	2.60	27.2	-21.62	-13	-8.62	Vertical
2099.1	-47.10	2.85	27.54	-22.41	-13	-9.41	Vertical
2099.1	-44.99	2.85	27.54	-20.30	-13	-7.30	Horizontal
Test Results For Mid Channel 707.5MHz							
1415	-47.92	2.61	27.28	-23.25	-13	-10.25	Horizontal
1415	-47.23	2.61	27.28	-22.56	-13	-9.56	Vertical
2122.5	-43.82	2.87	27.59	-19.10	-13	-6.10	Vertical
2122.5	-48.89	2.87	27.59	-24.17	-13	-11.17	Horizontal
Test Results for High Channel 715.3MHz							
1430.6	-47.58	2.63	27.28	-22.93	-13	-9.93	Horizontal
1430.6	-52.64	2.63	27.28	-27.99	-13	-14.99	Vertical
2145.9	-49.50	2.88	27.60	-24.78	-13	-11.78	Vertical
2145.9	-47.51	2.88	27.60	-22.79	-13	-9.79	Horizontal

QPSK EIRP POWER FOR LTE BAND 12 (10MHZ BANDWIDTH)

Test Results for Low Channel 704MHz							
Frequency(MHz)	SG Level(dBm)	Cable Loss(dB)	Antenna Gain(dB)	Absolute Level(dBm)	Limit (dBm)	Margin(dBm)	Polarity
1408	-44.03	2.61	27.26	-19.38	-13	-6.38	Horizontal
1408	-50.33	2.61	27.26	-25.68	-13	-12.68	Vertical
2112	-48.10	2.87	27.58	-23.39	-13	-10.39	Vertical
2112	-49.52	2.87	27.58	-24.81	-13	-11.81	Horizontal
Test Results for Mid Channel 707.5MHz							
1415	-46.68	2.61	27.28	-22.01	-13	-9.01	Horizontal
1415	-52.34	2.61	27.28	-27.67	-13	-14.67	Vertical
2122.5	-48.82	2.87	27.59	-24.10	-13	-11.10	Vertical
2122.5	-47.56	2.87	27.59	-22.84	-13	-9.84	Horizontal
Test Results for High Channel 711MHz							
1422	-51.40	2.62	27.28	-26.74	-13	-13.74	Horizontal
1422	-44.21	2.62	27.28	-19.55	-13	-6.55	Vertical
2133	-50.24	2.87	27.60	-25.51	-13	-12.51	Vertical
2133	-49.32	2.87	27.60	-24.59	-13	-11.59	Horizontal

Note: P_{Mea}(dBm)= Power(dBm)+ AR_{pl} (dBm)

. Over Limit= : P_{Mea}(dBm)-Limit(dBm)

. Both QPSK and 16QAM has been tested, the worst case is QPSK mode, the report just reported the worst case.

9.6 LTE BAND 13

QPSK EIRP POWER FOR LTE BAND 13 (5MHZ BANDWIDTH)

Test Results for Low Channel 779.5MHz							
Frequency(MHz)	SG Level(dBm)	Cable Loss(dB)	Antenna Gain(dB)	Absolute Level(dBm)	Limit (dBm)	Margin(dBm)	Polarity
1559	-70.23	2.61	27.28	-45.56	-40	-5.56	Horizontal
1559	-71.79	2.61	27.28	-47.12	-40	-7.12	Vertical
2338.5	-50.36	2.87	27.59	-25.64	-13	-12.64	Vertical
2338.5	-50.21	2.87	27.59	-25.49	-13	-12.49	Horizontal
Test Results For Mid Channel 782MHz							
1564	-70.67	2.62	27.30	-45.99	-40	-5.99	Horizontal
1564	-71.36	2.62	27.30	-46.68	-40	-6.68	Vertical
2346	-49.82	2.87	27.62	-25.07	-13	-12.07	Vertical
2346	-52.35	2.87	27.62	-27.60	-13	-14.60	Horizontal
Test Results for High Channel 784.5MHz							
1569	-71.36	2.66	27.28	-46.74	-40	-6.74	Horizontal
1569	-70.25	2.66	27.28	-45.63	-40	-5.63	Vertical
2353.5	-43.06	2.88	27.60	-18.34	-13	-5.34	Vertical
2353.5	-45.59	2.88	27.60	-20.87	-13	-7.87	Horizontal

QPSK EIRP POWER FOR LTE BAND 13 (10MHZ BANDWIDTH)

Test Results for Channel 782MHz							
Frequency(MHz)	SG Level(dBm)	Cable Loss(dB)	Antenna Gain(dB)	Absolute Level(dBm)	Limit (dBm)	Margin(dBm)	Polarity
1564	-70.32	2.62	27.30	-45.64	-40	-5.64	Horizontal
1564	-71.26	2.62	27.30	-46.58	-40	-6.58	Vertical
2346	-48.59	2.87	27.62	-23.84	-13	-10.84	Vertical
2346	-50.23	2.87	27.62	-25.48	-13	-12.48	Horizontal

Note: $P_{Mea}(dBm) = Power(dBm) + AR_{pl}(dBm)$

. Over Limit = : $P_{Mea}(dBm) - Limit(dBm)$

. Both QPSK and 16QAM has been tested, the worst case is QPSK mode, the report just reported the worst case.

9.7 LTE BAND 17

QPSK EIRP POWER FOR LTE BAND 17 (5MHZ BANDWIDTH)

Test Results for Low Channel 706.5MHz							
Frequency(MHz)	SG Level(dBm)	Cable Loss(dB)	Antenna Factor(dB)	Absolute Level(dBm)	Limit (dBm)	Margin(dBm)	Polarity
1413	-52.23	2.61	27.28	-27.56	-13	-14.56	Horizontal
1413	-49.53	2.61	27.28	-24.86	-13	-11.86	Vertical
2119.5	-49.27	2.87	27.59	-24.55	-13	-11.55	Vertical
2119.5	-50.52	2.87	27.59	-25.80	-13	-12.80	Horizontal
Test Results For Mid Channel 710MHz							
1420	-50.82	2.62	27.30	-26.14	-13	-13.14	Horizontal
1420	-48.37	2.62	27.30	-23.69	-13	-10.69	Vertical
2130	-51.51	2.87	27.62	-26.76	-13	-13.76	Vertical
2130	-46.91	2.87	27.62	-22.16	-13	-9.16	Horizontal
Test Results for High Channel 713.5MHz							
1427	-46.12	2.66	27.28	-21.50	-13	-8.50	Horizontal
1427	-46.72	2.66	27.28	-22.10	-13	-9.10	Vertical
2140.5	-48.67	2.88	27.60	-23.95	-13	-10.95	Vertical
2140.5	-52.37	2.88	27.60	-27.65	-13	-14.65	Horizontal

QPSK EIRP POWER FOR LTE BAND 17 (10MHZ BANDWIDTH)

Test Results for Low Channel 709MHz							
Frequency(MHz)	SG Level(dBm)	Cable Loss(dB)	Antenna Factor(dB)	Absolute Level(dBm)	Limit (dBm)	Margin(dBm)	Polarity
1418	-50.73	2.62	27.30	-26.05	-13	-13.05	Horizontal
1418	-48.31	2.62	27.30	-23.63	-13	-10.63	Vertical
2127	-49.81	2.87	27.62	-25.06	-13	-12.06	Vertical
2127	-52.62	2.87	27.62	-27.87	-13	-14.87	Horizontal
Test Results for Mid Channel 710MHz							
1420	-50.53	2.62	27.30	-25.85	-13	-12.85	Horizontal
1420	-50.03	2.62	27.30	-25.35	-13	-12.35	Vertical
2130	-51.05	2.87	27.62	-26.30	-13	-13.30	Vertical
2130	-48.72	2.87	27.62	-23.97	-13	-10.97	Horizontal
Test Results for High Channel 711MHz							
1422	-48.44	2.62	27.30	-23.76	-13	-10.76	Horizontal
1422	-48.37	2.62	27.30	-23.69	-13	-10.69	Vertical
2133	-50.32	2.87	27.62	-25.57	-13	-12.57	Vertical
2133	-52.23	2.87	27.62	-27.48	-13	-14.48	Horizontal

Note: Spurious Emission Level = Spectrum Analyzer Read Value + Cable Loss+ Antenna Factor + 11.74

. Margin = Spurious Emission Level - Limit

. Both QPSK and 16QAM has been tested, the worst case is QPSK mode, the report just reported the worst case.

9.8 LTE BAND 18

QPSK EIRP POWER FOR LTE BAND 18 (1.4MHZ BANDWIDTH)

Test Results for Low Channel 817.5MHz							
Frequency(MHz)	SG Level(dBm)	Cable Loss(dB)	Antenna Factor(dB)	Absolute Level(dBm)	Limit (dBm)	Margin(dBm)	Polarity
1635	-46.44	2.78	27.5	-21.72	-13	-8.72	Horizontal
1635	-48.69	2.78	27.5	-23.97	-13	-10.97	Vertical
2452.5	-49.28	2.9	27.8	-24.38	-13	-11.38	Vertical
2452.5	-60.83	2.9	27.8	-35.93	-13	-22.93	Horizontal
Test Results For Mid Channel 822.5MHz							
1645	-48.63	2.8	27.48	-23.95	-13	-10.95	Horizontal
1645	-49.82	2.8	27.48	-25.14	-13	-12.14	Vertical
2467.5	-49.11	2.91	27.7	-24.32	-13	-11.32	Vertical
2467.5	-50.70	2.91	27.7	-25.91	-13	-12.91	Horizontal
Test Results for High Channel 827.5MHz							
1655	-47.47	2.82	27.43	-22.86	-13	-9.86	Horizontal
1655	-50.94	2.82	27.43	-26.33	-13	-13.33	Vertical
2482.5	-50.24	2.92	27.74	-25.42	-13	-12.42	Vertical
2482.5	-52.59	2.92	27.74	-27.77	-13	-14.77	Horizontal

QPSK EIRP POWER FOR LTE BAND 18 (10MHZ BANDWIDTH)

Test Results for Low Channel 822.5MHz							
Frequency(MHz)	SG Level(dBm)	Cable Loss(dB)	Antenna Factor(dB)	Absolute Level(dBm)	Limit (dBm)	Margin(dBm)	Polarity
1645	-49.79	2.82	27.43	-25.18	-13	-12.18	Horizontal
1645	-51.97	2.82	27.43	-27.36	-13	-14.36	Vertical
2467.5	-52.95	2.91	27.74	-28.12	-13	-15.12	Vertical
2467.5	-51.45	2.91	27.74	-26.62	-13	-13.62	Horizontal

Note: Spurious Emission Level = Spectrum Analyzer Read Value + Cable Loss+ Antenna Factor + 11.74

. Margin = Spurious Emission Level - Limit

. Both QPSK and 16QAM has been tested, the worst case is QPSK mode, the report just reported the worst case.

9.9 LTE BAND 19

QPSK EIRP POWER FOR LTE BAND 19 (1.4MHZ BANDWIDTH)

Test Results for Low Channel 824.7MHz							
Frequency(MHz)	SG Level(dBm)	Cable Loss(dB)	Antenna Factor(dB)	Absolute Level(dBm)	Limit (dBm)	Margin(dBm)	Polarity
1665	-53.45	2.78	27.28	-28.95	-13	-15.95	Horizontal
1665	-65.82	2.78	27.28	-41.32	-13	-28.32	Vertical
2474.1	-61.45	2.9	27.59	-36.76	-13	-23.76	Vertical
2474.1	-50.75	2.9	27.59	-26.06	-13	-13.06	Horizontal
Test Results For Mid Channel 836.5MHz							
1675	-51.64	2.78	27.3	-27.12	-13	-14.12	Horizontal
1675	-60.97	2.78	27.3	-36.45	-13	-23.45	Vertical
2512.5	-59.18	2.91	27.62	-34.47	-13	-21.47	Vertical
2512.5	-57.08	2.91	27.62	-32.37	-13	-19.37	Horizontal
Test Results for High Channel 848.3MHz							
1685	-58.67	2.78	27.28	-34.17	-13	-21.17	Horizontal
1685	-55.00	2.78	27.28	-30.50	-13	-17.50	Vertical
2572.5	-54.87	2.92	27.6	-30.19	-13	-17.19	Vertical
2572.5	-57.92	2.92	27.6	-33.24	-13	-20.24	Horizontal

QPSK EIRP POWER FOR LTE BAND 19 (15MHZ BANDWIDTH)

Test Results for Low Channel 821.5MHz							
Frequency(MHz)	SG Level(dBm)	Cable Loss(dB)	Antenna Factor(dB)	Absolute Level(dBm)	Limit (dBm)	Margin(dBm)	Polarity
1670	-48.84	2.78	27.3	-24.32	-13	-11.32	Horizontal
1670	-55.37	2.78	27.3	-30.85	-13	-17.85	Vertical
2505	-58.86	2.9	27.62	-34.14	-13	-21.14	Vertical
2505	-55.08	2.9	27.62	-30.36	-13	-17.36	Horizontal
Test Results for Mid Channel 836.5MHz							
1675	-54.74	2.78	27.3	-30.22	-13	-17.22	Horizontal
1675	-52.43	2.78	27.3	-27.91	-13	-14.91	Vertical
2512.5	-59.90	2.91	27.62	-35.19	-13	-22.19	Vertical
2512.5	-56.85	2.91	27.62	-32.14	-13	-19.14	Horizontal
Test Results for High Channel 841.5MHz							
1680	-54.76	2.78	27.3	-30.24	-13	-17.24	Horizontal
1680	-52.50	2.78	27.3	-27.98	-13	-14.98	Vertical
2520	-53.40	2.92	27.62	-28.70	-13	-15.70	Vertical
2520	-50.26	2.92	27.62	-25.56	-13	-12.56	Horizontal

Note: Spurious Emission Level = Spectrum Analyzer Read Value + Cable Loss+ Antenna Factor + 11.74

. Margin = Spurious Emission Level - Limit

. Both QPSK and 16QAM has been tested, the worst case is QPSK mode, the report just reported the worst case.

9.10 LTE BAND 25

QPSK EIRP POWER FOR LTE BAND 25 (1.4MHZ BANDWIDTH)

Test Results for Low Channel 1850.7MHz							
Frequency(MHz)	SG Level(dBm)	Cable Loss(dB)	Antenna Gain(dB)	Absolute Level(dBm)	Limit (dBm)	Margin(dBm)	Polarity
3701.4	-51.64	2.61	27.26	-26.99	-13	-13.99	Horizontal
3701.4	-52.52	2.61	27.26	-27.87	-13	-14.87	Vertical
5552.1	-54.11	2.87	27.58	-29.40	-13	-16.40	Vertical
5552.1	-52.78	2.87	27.58	-28.07	-13	-15.07	Horizontal
Test Results for Mid Channel 1882.5MHz							
3765	-49.41	2.63	27.28	-24.76	-13	-11.76	Horizontal
3765	-52.47	2.63	27.28	-27.82	-13	-14.82	Vertical
5647.5	-51.74	2.88	27.62	-27.00	-13	-14.00	Vertical
5647.5	-53.20	2.88	27.62	-28.46	-13	-15.46	Horizontal
Test Results for High Channel 1914.3MHz							
3828.6	-54.09	2.65	27.28	-29.46	-13	-16.46	Horizontal
3828.6	-54.56	2.65	27.28	-29.93	-13	-16.93	Vertical
5742.9	-53.47	2.88	27.70	-28.65	-13	-15.65	Vertical
5742.9	-53.24	2.88	27.70	-28.42	-13	-15.42	Horizontal

QPSK EIRP POWER FOR LTE BAND 25 (20MHZ BANDWIDTH)

Test Results for Low Channel 1860MHz							
Frequency(MHz)	SG Level(dBm)	Cable Loss(dB)	Antenna Gain(dB)	Absolute Level(dBm)	Limit (dBm)	Margin(dBm)	Polarity
3720	-52.87	2.62	27.30	-28.19	-13	-15.19	Horizontal
3720	-54.96	2.62	27.30	-30.28	-13	-17.28	Vertical
5580	-53.69	2.87	27.62	-28.94	-13	-15.94	Vertical
5580	-52.39	2.87	27.62	-27.64	-13	-14.64	Horizontal
Test Results for Mid Channel 1882.5MHz							
3765	-54.20	2.64	27.33	-29.51	-13	-16.51	Horizontal
3765	-53.02	2.64	27.33	-28.33	-13	-15.33	Vertical
5647.5	-55.64	2.88	27.67	-30.85	-13	-17.85	Vertical
5647.5	-54.15	2.88	27.67	-29.36	-13	-16.36	Horizontal
Test Results for High Channel 1905MHz							
3810	-50.94	2.64	27.33	-26.25	-13	-13.25	Horizontal
3810	-55.43	2.64	27.33	-30.74	-13	-17.74	Vertical
5715	-52.95	2.88	27.67	-28.16	-13	-15.16	Vertical
5715	-52.44	2.88	27.67	-27.65	-13	-14.65	Horizontal

Note: Spurious Emission Level = Spectrum Analyzer Read Value + Cable Loss+ Antenna Factor + 11.74

. Margin = Spurious Emission Level - Limit

. Both QPSK and 16QAM has been tested, the worst case is QPSK mode, the report just reported the worst case.

9.11 LTE BAND 38

QPSK EIRP POWER FOR LTE BAND 38 (5MHZ BANDWIDTH)

Test Results for Low Channel 2572.5MHz							
Frequency(MHz)	SG Level(dBm)	Cable Loss(dB)	Antenna Gain(dB)	Absolute Level(dBm)	Limit (dBm)	Margin(dBm)	Polarity
5145	-58.75	2.63	27.26	-34.12	-25	-9.12	Horizontal
5145	-57.93	2.63	27.26	-33.30	-25	-8.30	Vertical
7717.5	-60.33	2.67	27.58	-35.42	-25	-10.42	Vertical
7717.5	-62.21	2.67	27.58	-37.30	-25	-12.30	Horizontal
Test Results For Mid Channel 2595MHz							
5190	-55.92	2.62	27.28	-31.26	-25	-6.26	Horizontal
5190	-55.28	2.62	27.28	-30.62	-25	-5.62	Vertical
7785	-57.83	2.85	27.62	-33.06	-25	-8.06	Vertical
7785	-55.72	2.85	27.62	-30.95	-25	-5.95	Horizontal
Test Results for High Channel 2617.5MHz							
5235	-52.74	2.64	27.28	-28.10	-25	-3.10	Horizontal
5235	-57.16	2.64	27.28	-32.52	-25	-7.52	Vertical
7852.5	-57.17	2.85	27.70	-32.32	-25	-7.32	Vertical
7852.5	-55.18	2.85	27.70	-30.33	-25	-5.33	Horizontal

QPSK EIRP POWER FOR LTE BAND 38 (20MHZ BANDWIDTH)

Test Results for Low Channel 2580MHz							
Frequency(MHz)	SG Level(dBm)	Cable Loss(dB)	Antenna Gain(dB)	Absolute Level(dBm)	Limit (dBm)	Margin(dBm)	Polarity
5160	-58.10	2.63	27.30	-33.43	-25	-8.43	Horizontal
5160	-52.53	2.63	27.30	-27.86	-25	-2.86	Vertical
7740	-59.00	2.67	27.62	-34.05	-25	-9.05	Vertical
7740	-62.53	2.67	27.62	-37.58	-25	-12.58	Horizontal
Test Results for Mid Channel 2595MHz							
5190	-57.90	2.62	27.33	-33.19	-25	-8.19	Horizontal
5190	-55.42	2.62	27.33	-30.71	-25	-5.71	Vertical
7785	-59.35	2.85	27.67	-34.53	-25	-9.53	Vertical
7785	-59.30	2.85	27.67	-34.48	-25	-9.48	Horizontal
Test Results for High Channel 2610MHz							
5220	-55.69	2.64	27.33	-31.00	-25	-6.00	Horizontal
5220	-57.94	2.64	27.33	-33.25	-25	-8.25	Vertical
7830	-59.53	2.85	27.67	-34.71	-25	-9.71	Vertical
7830	-56.49	2.85	27.67	-31.67	-25	-6.67	Horizontal

Note: $P_{Mea}(dBm) = Power(dBm) + ARpl (dBm)$

Over Limit = $P_{Mea}(dBm) - Limit(dBm)$

We test both H direction and V direction, recorded worst case direction.

Both QPSK and 16QAM has been tested, the worst case is QPSK mode, the report just reported the worst case.

9.12 LTE BAND 41

QPSK EIRP POWER FOR LTE BAND 41 (5MHZ BANDWIDTH)

Test Results for Low Channel 2598.5MHz							
Frequency(MHz)	SG Level(dBm)	Cable Loss(dB)	Antenna Gain(dB)	Absolute Level(dBm)	Limit (dBm)	Margin(dBm)	Polarity
4997	-58.37	2.63	27.26	-33.74	-25	-8.74	Horizontal
4997	-58.22	2.63	27.26	-33.59	-25	-8.59	Vertical
7495.5	-61.50	2.67	27.58	-36.59	-25	-11.59	Vertical
7495.5	-63.28	2.67	27.58	-38.37	-25	-13.37	Horizontal
Test Results for Mid Channel 2593MHz							
5186	-54.66	2.62	27.28	-30.00	-25	-5.00	Horizontal
5186	-55.45	2.62	27.28	-30.79	-25	-5.79	Vertical
7779	-57.91	2.85	27.62	-33.14	-25	-8.14	Vertical
7779	-56.77	2.85	27.62	-32.00	-25	-7.00	Horizontal
Test Results for High Channel 2687.5MHz							
5375	-53.78	2.64	27.28	-29.14	-25	-4.14	Horizontal
5375	-57.31	2.64	27.28	-32.67	-25	-7.67	Vertical
8062.5	-56.72	2.85	27.70	-31.87	-25	-6.87	Vertical
8062.5	-54.67	2.85	27.70	-29.82	-25	-4.82	Horizontal

QPSK EIRP POWER FOR LTE BAND 41 (20MHZ BANDWIDTH)

Test Results for Low Channel 2506MHz							
Frequency(MHz)	SG Level(dBm)	Cable Loss(dB)	Antenna Gain(dB)	Absolute Level(dBm)	Limit (dBm)	Margin(dBm)	Polarity
5012	-58.12	2.63	27.30	-33.45	-25	-8.45	Horizontal
5012	-56.11	2.63	27.30	-31.44	-25	-6.44	Vertical
7518	-58.52	2.67	27.62	-33.57	-25	-8.57	Vertical
7518	-62.84	2.67	27.62	-37.89	-25	-12.89	Horizontal
Test Results for Mid Channel 2593MHz							
5186	-57.49	2.62	27.33	-32.78	-25	-7.78	Horizontal
5186	-54.99	2.62	27.33	-30.28	-25	-5.28	Vertical
7779	-60.33	2.85	27.67	-35.51	-25	-10.51	Vertical
7779	-59.71	2.85	27.67	-34.89	-25	-9.89	Horizontal
Test Results for High Channel 2680MHz							
5360	-55.41	2.64	27.33	-30.72	-25	-5.72	Horizontal
5360	-57.85	2.64	27.33	-33.16	-25	-8.16	Vertical
8040	-59.54	2.85	27.67	-34.72	-25	-9.72	Vertical
8040	-56.50	2.85	27.67	-31.68	-25	-6.68	Horizontal

Note: $P_{Mea}(dBm) = Power(dBm) + ARpl (dBm)$

Over Limit = $P_{Mea}(dBm) - Limit(dBm)$

We test both H direction and V direction, recorded worst case direction.

Both QPSK and 16QAM has been tested, the worst case is QPSK mode, the report just reported the worst case.

10. FREQUENCY STABILITY

RULE PART(S)

FCC: §2.1055, §22.355, §24.235, §27.54, §90.213

LIMITS

§22.355 - The carrier frequency shall not depart from the reference frequency in excess of ± 2.5 ppm for mobile stations.

§24.235 - The frequency stability shall be sufficient to ensure that the fundamental emission stays within the authorized frequency block.

TEST PROCEDURE

Use CMW 500 with Frequency Error measurement capability.

- Temp. = -30° to $+50^{\circ}\text{C}$
- Voltage = low voltage, DC 3.31V, Normal, DC 3.89V and High voltage, DC 4.47V.

Frequency Stability vs Temperature:

The EUT is placed inside a temperature chamber. The temperature is set to -30°C and allowed to stabilize. After sufficient soak time, the transmitting frequency error is measured. The temperature is increased by 10 degrees, allowed to stabilize and soak, and then the measurement is repeated. This is repeated until $+50^{\circ}\text{C}$ is reached.

Frequency Stability vs Voltage:

The peak frequency error is recorded (worst-case).

MODES TESTED

LTE Band 2/4/5/7/12/13/17/18/19/25/38/41

RESULTS

See the following pages.

10.1 LTE BAND 2

Band 2 QPSK, (20MHz BANDWIDTH RB size 100 RB Offset 0)

Frequency error vs. Voltage

Voltage [Vdc]	Frequency [MHz]	Frequency* Error[Hz]	Frequency Error[ppm]	Limit [ppm]
3.31	1880	6	0.00319	2.5
3.89	1880	1	0.00053	2.5
4.47	1880	12	0.00638	2.5

Frequency error vs. Temperature

Temperature [°C]	Frequency [MHz]	Frequency* Error[Hz]	Frequency Error[ppm]	Limit [ppm]
Normal (25C)	1880	13	0.00691	2.5
Extreme (50C)	1880	1	0.00053	2.5
Extreme (40C)	1880	16	0.00851	2.5
Extreme (30C)	1880	17	0.00904	2.5
Extreme (10C)	1880	17	0.00904	2.5
Extreme (0C)	1880	21	0.01117	2.5
Extreme (-10C)	1880	11	0.00585	2.5
Extreme (-20C)	1880	16	0.00851	2.5
Extreme (-30C)	1880	10	0.00532	2.5

Band 2 16QAM, (20MHz BANDWIDTH RB size 100 RB Offset 0)

Frequency error vs. Voltage

Voltage [Vdc]	Frequency [MHz]	Frequency* Error[Hz]	Frequency Error[ppm]	Limit [ppm]
3.31	1880	2	0.00106	2.5
3.89	1880	26	0.01383	2.5
4.47	1880	12	0.00638	2.5

Frequency error vs. Temperature

Temperature [°C]	Frequency [MHz]	Frequency* Error[Hz]	Frequency Error[ppm]	Limit [ppm]
Normal (25C)	1880	1	0.00053	2.5
Extreme (50C)	1880	3	0.00160	2.5
Extreme (40C)	1880	7	0.00372	2.5
Extreme (30C)	1880	16	0.00851	2.5
Extreme (10C)	1880	14	0.00745	2.5
Extreme (0C)	1880	18	0.00957	2.5
Extreme (-10C)	1880	15	0.00798	2.5
Extreme (-20C)	1880	11	0.00585	2.5
Extreme (-30C)	1880	14	0.00745	2.5

***Note:** Frequency error measurements were made by using the build-in capability of the Wireless Communication Test Set.

10.2 LTE BAND 4

Band 4 QPSK, (20MHz BANDWIDTH RB size 100 RB Offset 0)

Frequency error vs. Voltage

Voltage [Vdc]	Frequency [MHz]	Frequency* Error[Hz]	Frequency Error[ppm]	Limit [ppm]
3.31	1732.5	3	0.00173	2.5
3.89	1732.5	16	0.00924	2.5
4.47	1732.5	14	0.00808	2.5

Frequency error vs. Temperature

Temperature [°C]	Frequency [MHz]	Frequency* Error[Hz]	Frequency Error[ppm]	Limit [ppm]
Normal (25C)	1732.5	21	0.01212	2.5
Extreme (50C)	1732.5	9	0.00519	2.5
Extreme (40C)	1732.5	26	0.01501	2.5
Extreme (30C)	1732.5	6	0.00346	2.5
Extreme (10C)	1732.5	14	0.00808	2.5
Extreme (0C)	1732.5	1	0.00058	2.5
Extreme (-10C)	1732.5	23	0.01328	2.5
Extreme (-20C)	1732.5	3	0.00173	2.5
Extreme (-30C)	1732.5	9	0.00519	2.5

Band 4 16QAM, (20MHz BANDWIDTH RB size 100 RB Offset 0)

Frequency error vs. Voltage

Voltage [Vdc]	Frequency [MHz]	Frequency* Error[Hz]	Frequency Error[ppm]	Limit [ppm]
3.31	1732.5	26	0.01501	2.5
3.89	1732.5	23	0.01328	2.5
4.47	1732.5	13	0.00750	2.5

Frequency error vs. Temperature

Temperature [°C]	Frequency [MHz]	Frequency* Error[Hz]	Frequency Error[ppm]	Limit [ppm]
Normal (25C)	1732.5	12	0.00693	2.5
Extreme (50C)	1732.5	13	0.00750	2.5
Extreme (40C)	1732.5	8	0.00462	2.5
Extreme (30C)	1732.5	18	0.01039	2.5
Extreme (10C)	1732.5	23	0.01328	2.5
Extreme (0C)	1732.5	24	0.01385	2.5
Extreme (-10C)	1732.5	17	0.00981	2.5
Extreme (-20C)	1732.5	2	0.00115	2.5
Extreme (-30C)	1732.5	11	0.00635	2.5

***Note:** Frequency error measurements were made by using the build-in capability of the Wireless Communication Test Set.

10.3 LTE BAND 5

Band 5 QPSK, (10MHz BANDWIDTH RB size 50 RB Offset 0)

Frequency error vs. Voltage

Voltage [Vdc]	Frequency [MHz]	Frequency* Error[Hz]	Frequency Error[ppm]	Limit [ppm]
3.31	836.5	2	0.00239	2.5
3.89	836.5	21	0.02510	2.5
4.47	836.5	9	0.01076	2.5

Frequency error vs. Temperature

Temperature [°C]	Frequency [MHz]	Frequency* Error[Hz]	Frequency Error[ppm]	Limit [ppm]
Normal (25C)	836.5	25	0.02989	2.5
Extreme (50C)	836.5	20	0.02391	2.5
Extreme (40C)	836.5	4	0.00478	2.5
Extreme (30C)	836.5	19	0.02271	2.5
Extreme (10C)	836.5	3	0.00359	2.5
Extreme (0C)	836.5	21	0.02510	2.5
Extreme (-10C)	836.5	5	0.00598	2.5
Extreme (-20C)	836.5	4	0.00478	2.5
Extreme (-30C)	836.5	21	0.02510	2.5

Band 5 16QAM, (10MHz BANDWIDTH RB size 50 RB Offset 0)

Frequency error vs. Voltage

Voltage [Vdc]	Frequency [MHz]	Frequency* Error[Hz]	Frequency Error[ppm]	Limit [ppm]
3.31	836.5	16	0.01913	2.5
3.89	836.5	19	0.02271	2.5
4.47	836.5	1	0.00120	2.5

Frequency error vs. Temperature

Temperature [°C]	Frequency [MHz]	Frequency* Error[Hz]	Frequency Error[ppm]	Limit [ppm]
Normal (25C)	836.5	3	0.00359	2.5
Extreme (50C)	836.5	25	0.02989	2.5
Extreme (40C)	836.5	22	0.02630	2.5
Extreme (30C)	836.5	20	0.02391	2.5
Extreme (10C)	836.5	2	0.00239	2.5
Extreme (0C)	836.5	26	0.03108	2.5
Extreme (-10C)	836.5	12	0.01435	2.5
Extreme (-20C)	836.5	13	0.01554	2.5
Extreme (-30C)	836.5	9	0.01076	2.5

***Note:** Frequency error measurements were made by using the build-in capability of the Wireless Communication Test Set.

10.4 LTE BAND 7

Band 7 QPSK, (20MHz BANDWIDTH RB size 100 RB Offset 0)

Frequency error vs. Voltage

Voltage [Vdc]	Frequency [MHz]	Frequency* Error[Hz]	Frequency Error[ppm]	Limit [ppm]
3.31	2535	17	0.00671	2.5
3.89	2535	10	0.00394	2.5
4.47	2535	11	0.00434	2.5

Frequency error vs. Temperature

Temperature [°C]	Frequency [MHz]	Frequency* Error[Hz]	Frequency Error[ppm]	Limit [ppm]
Normal (25C)	2535	21	0.00828	2.5
Extreme (50C)	2535	24	0.00947	2.5
Extreme (40C)	2535	14	0.00552	2.5
Extreme (30C)	2535	7	0.00276	2.5
Extreme (10C)	2535	16	0.00631	2.5
Extreme (0C)	2535	1	0.00039	2.5
Extreme (-10C)	2535	7	0.00276	2.5
Extreme (-20C)	2535	23	0.00907	2.5
Extreme (-30C)	2535	20	0.00789	2.5

Band 7 16QAM, (20MHz BANDWIDTH RB size 100 RB Offset 0)

Frequency error vs. Voltage

Voltage [Vdc]	Frequency [MHz]	Frequency* Error[Hz]	Frequency Error[ppm]	Limit [ppm]
3.31	2535	8	0.00316	2.5
3.89	2535	20	0.00789	2.5
4.47	2535	18	0.00710	2.5

Frequency error vs. Temperature

Temperature [°C]	Frequency [MHz]	Frequency* Error[Hz]	Frequency Error[ppm]	Limit [ppm]
Normal (25C)	2535	25	0.00986	2.5
Extreme (50C)	2535	19	0.00750	2.5
Extreme (40C)	2535	16	0.00631	2.5
Extreme (30C)	2535	15	0.00592	2.5
Extreme (10C)	2535	2	0.00079	2.5
Extreme (0C)	2535	8	0.00316	2.5
Extreme (-10C)	2535	22	0.00868	2.5
Extreme (-20C)	2535	20	0.00789	2.5
Extreme (-30C)	2535	26	0.01026	2.5

***Note:** Frequency error measurements were made by using the build-in capability of the Wireless Communication Test Set.

10.5 LTE BAND 12

Band 12 QPSK, (10MHz BANDWIDTH RB size 50 RB Offset 0

Frequency error vs. Voltage

Voltage [Vdc]	Frequency [MHz]	Frequency* Error[Hz]	Frequency Error[ppm]	Limit [ppm]
3.31	707.5	22	0.03110	2.5
3.89	707.5	7	0.00989	2.5
4.47	707.5	5	0.00707	2.5

Frequency error vs. Temperature

Temperature [°C]	Frequency [MHz]	Frequency* Error[Hz]	Frequency Error[ppm]	Limit [ppm]
Normal (25C)	707.5	11	0.01555	2.5
Extreme (50C)	707.5	13	0.01837	2.5
Extreme (40C)	707.5	18	0.02544	2.5
Extreme (30C)	707.5	2	0.00283	2.5
Extreme (10C)	707.5	24	0.03392	2.5
Extreme (0C)	707.5	1	0.00141	2.5
Extreme (-10C)	707.5	9	0.01272	2.5
Extreme (-20C)	707.5	13	0.01837	2.5
Extreme (-30C)	707.5	23	0.03251	2.5

Band 12 16QAM, (10MHz BANDWIDTH RB size 50 RB Offset 0)

Frequency error vs. Voltage

Voltage [Vdc]	Frequency [MHz]	Frequency* Error[Hz]	Frequency Error[ppm]	Limit [ppm]
3.31	707.5	17	0.02403	2.5
3.89	707.5	9	0.01272	2.5
4.47	707.5	16	0.02261	2.5

Frequency error vs. Temperature

Temperature [°C]	Frequency [MHz]	Frequency* Error[Hz]	Frequency Error[ppm]	Limit [ppm]
Normal (25C)	707.5	5	0.00707	2.5
Extreme (50C)	707.5	6	0.00848	2.5
Extreme (40C)	707.5	15	0.02120	2.5
Extreme (30C)	707.5	5	0.00707	2.5
Extreme (10C)	707.5	14	0.01979	2.5
Extreme (0C)	707.5	13	0.01837	2.5
Extreme (-10C)	707.5	3	0.00424	2.5
Extreme (-20C)	707.5	14	0.01979	2.5
Extreme (-30C)	707.5	12	0.01696	2.5

***Note:** Frequency error measurements were made by using the build-in capability of the Wireless Communication Test Set.

10.6 LTE BAND 13

Band 13 QPSK, (10MHz BANDWIDTH RB size 50 RB Offset 0)

Frequency error vs. Voltage

Voltage [Vdc]	Frequency [MHz]	Frequency* Error[Hz]	Frequency Error[ppm]	Limit [ppm]
3.31	782.0	24	0.03069	2.5
3.89	782.0	13	0.01662	2.5
4.47	782.0	20	0.02558	2.5

Frequency error vs. Temperature

Temperature [°C]	Frequency [MHz]	Frequency* Error[Hz]	Frequency Error[ppm]	Limit [ppm]
Normal (25C)	782.0	25	0.03197	2.5
Extreme (50C)	782.0	17	0.02174	2.5
Extreme (40C)	782.0	8	0.01023	2.5
Extreme (30C)	782.0	20	0.02558	2.5
Extreme (10C)	782.0	3	0.00384	2.5
Extreme (0C)	782.0	17	0.02174	2.5
Extreme (-10C)	782.0	5	0.00639	2.5
Extreme (-20C)	782.0	27	0.03453	2.5
Extreme (-30C)	782.0	21	0.02685	2.5

Band 13 16QAM, (10MHz BANDWIDTH RB size 50 RB Offset 0)

Frequency error vs. Voltage

Voltage [Vdc]	Frequency [MHz]	Frequency* Error[Hz]	Frequency Error[ppm]	Limit [ppm]
3.31	782.0	8	0.01023	2.5
3.89	782.0	19	0.02430	2.5
4.47	782.0	16	0.02046	2.5

Frequency error vs. Temperature

Temperature [°C]	Frequency [MHz]	Frequency* Error[Hz]	Frequency Error[ppm]	Limit [ppm]
Normal (25C)	782.0	7	0.00895	2.5
Extreme (50C)	782.0	25	0.03197	2.5
Extreme (40C)	782.0	13	0.01662	2.5
Extreme (30C)	782.0	10	0.01279	2.5
Extreme (10C)	782.0	10	0.01279	2.5
Extreme (0C)	782.0	21	0.02685	2.5
Extreme (-10C)	782.0	23	0.02941	2.5
Extreme (-20C)	782.0	20	0.02558	2.5
Extreme (-30C)	782.0	9	0.01151	2.5

***Note:** Frequency error measurements were made by using the build-in capability of the Wireless Communication Test Set.

10.7 LTE BAND 17

Band 17 QPSK, (10MHz BANDWIDTH RB size 50 RB Offset 0)

Frequency error vs. Voltage

Voltage [Vdc]	Frequency [MHz]	Frequency* Error[Hz]	Frequency Error[ppm]	Limit [ppm]
3.31	710	16	0.02254	2.5
3.89	710	17	0.02394	2.5
4.47	710	14	0.01972	2.5

Frequency error vs. Temperature

Temperature [°C]	Frequency [MHz]	Frequency* Error[Hz]	Frequency Error[ppm]	Limit [ppm]
Normal (25C)	710	7	0.00986	2.5
Extreme (50C)	710	10	0.01408	2.5
Extreme (40C)	710	16	0.02254	2.5
Extreme (30C)	710	4	0.00563	2.5
Extreme (10C)	710	11	0.01549	2.5
Extreme (0C)	710	9	0.01268	2.5
Extreme (-10C)	710	12	0.01690	2.5
Extreme (-20C)	710	14	0.01972	2.5
Extreme (-30C)	710	13	0.01831	2.5

Band 17 16QAM, (10MHz BANDWIDTH RB size 50 RB Offset 0)

Frequency error vs. Voltage

Voltage [Vdc]	Frequency [MHz]	Frequency* Error[Hz]	Frequency Error[ppm]	Limit [ppm]
3.31	710	4	0.00563	2.5
3.89	710	16	0.02254	2.5
4.47	710	8	0.01127	2.5

Frequency error vs. Temperature

Temperature [°C]	Frequency [MHz]	Frequency* Error[Hz]	Frequency Error[ppm]	Limit [ppm]
Normal (25C)	710	18	0.02535	2.5
Extreme (50C)	710	13	0.01831	2.5
Extreme (40C)	710	3	0.00423	2.5
Extreme (30C)	710	11	0.01549	2.5
Extreme (10C)	710	9	0.01268	2.5
Extreme (0C)	710	11	0.01549	2.5
Extreme (-10C)	710	12	0.01690	2.5
Extreme (-20C)	710	12	0.01690	2.5
Extreme (-30C)	710	13	0.01831	2.5

***Note:** Frequency error measurements were made by using the build-in capability of the Wireless Communication Test Set.

10.8 LTE BAND 18

Band 18 QPSK, (10MHz BANDWIDTH RB size 50 RB Offset 0

Frequency error vs. Voltage

Voltage [Vdc]	Frequency [MHz]	Frequency* Error[Hz]	Frequency Error[ppm]	Limit [ppm]
3.31	822.5	18	0.02188	2.5
3.89	822.5	11	0.01337	2.5
4.47	822.5	0	0.00000	2.5

Frequency error vs. Temperature

Temperature [°C]	Frequency [MHz]	Frequency* Error[Hz]	Frequency Error[ppm]	Limit [ppm]
Normal (25C)	822.5	2	0.00243	2.5
Extreme (50C)	822.5	8	0.00973	2.5
Extreme (40C)	822.5	10	0.01216	2.5
Extreme (30C)	822.5	16	0.01945	2.5
Extreme (10C)	822.5	19	0.02310	2.5
Extreme (0C)	822.5	23	0.02796	2.5
Extreme (-10C)	822.5	25	0.03040	2.5
Extreme (-20C)	822.5	4	0.00486	2.5
Extreme (-30C)	822.5	26	0.03161	2.5

Band 18 16QAM, (10MHz BANDWIDTH RB size 50 RB Offset 0)

Frequency error vs. Voltage

Voltage [Vdc]	Frequency [MHz]	Frequency* Error[Hz]	Frequency Error[ppm]	Limit [ppm]
3.31	822.5	12	0.01459	2.5
3.89	822.5	16	0.01945	2.5
4.47	822.5	22	0.02675	2.5

Frequency error vs. Temperature

Temperature [°C]	Frequency [MHz]	Frequency* Error[Hz]	Frequency Error[ppm]	Limit [ppm]
Normal (25C)	822.5	1	0.00122	2.5
Extreme (50C)	822.5	6	0.00729	2.5
Extreme (40C)	822.5	9	0.01094	2.5
Extreme (30C)	822.5	13	0.01581	2.5
Extreme (10C)	822.5	16	0.01945	2.5
Extreme (0C)	822.5	21	0.02553	2.5
Extreme (-10C)	822.5	26	0.03161	2.5
Extreme (-20C)	822.5	11	0.01337	2.5
Extreme (-30C)	822.5	15	0.01824	2.5

***Note:** Frequency error measurements were made by using the build-in capability of the Wireless Communication Test Set.

10.9 LTE BAND 19

Band 19 QPSK, (10MHz BANDWIDTH RB size 50 RB Offset 0

Frequency error vs. Voltage

Voltage [Vdc]	Frequency [MHz]	Frequency* Error[Hz]	Frequency Error[ppm]	Limit [ppm]
3.31	837.5	10	0.01194	2.5
3.89	837.5	15	0.01791	2.5
4.47	837.5	16	0.01910	2.5

Frequency error vs. Temperature

Temperature [°C]	Frequency [MHz]	Frequency* Error[Hz]	Frequency Error[ppm]	Limit [ppm]
Normal (25C)	837.5	9	0.01075	2.5
Extreme (50C)	837.5	15	0.01791	2.5
Extreme (40C)	837.5	16	0.01910	2.5
Extreme (30C)	837.5	13	0.01552	2.5
Extreme (10C)	837.5	14	0.01672	2.5
Extreme (0C)	837.5	11	0.01313	2.5
Extreme (-10C)	837.5	19	0.02269	2.5
Extreme (-20C)	837.5	12	0.01433	2.5
Extreme (-30C)	837.5	16	0.01910	2.5

Band 19 16QAM, (10MHz BANDWIDTH RB size 50 RB Offset 0)

Frequency error vs. Voltage

Voltage [Vdc]	Frequency [MHz]	Frequency* Error[Hz]	Frequency Error[ppm]	Limit [ppm]
3.31	837.5	15	0.01791	2.5
3.89	837.5	16	0.01910	2.5
4.47	837.5	6	0.00716	2.5

Frequency error vs. Temperature

Temperature [°C]	Frequency [MHz]	Frequency* Error[Hz]	Frequency Error[ppm]	Limit [ppm]
Normal (25C)	837.5	15	0.01791	2.5
Extreme (50C)	837.5	16	0.01910	2.5
Extreme (40C)	837.5	14	0.01672	2.5
Extreme (30C)	837.5	19	0.02269	2.5
Extreme (10C)	837.5	15	0.01791	2.5
Extreme (0C)	837.5	18	0.02149	2.5
Extreme (-10C)	837.5	11	0.01313	2.5
Extreme (-20C)	837.5	16	0.01910	2.5
Extreme (-30C)	837.5	12	0.01433	2.5

***Note:** Frequency error measurements were made by using the build-in capability of the Wireless Communication Test Set.

10.10 LTE BAND 25

Band 25 QPSK, (20MHz BANDWIDTH RB size 100 RB Offset 0)

Frequency error vs. Voltage

Voltage [Vdc]	Frequency [MHz]	Frequency* Error[Hz]	Frequency Error[ppm]	Limit [ppm]
3.31	1882.5	7	0.00372	2.5
3.89	1882.5	1	0.00053	2.5
4.47	1882.5	16	0.00850	2.5

Frequency error vs. Temperature

Temperature [°C]	Frequency [MHz]	Frequency* Error[Hz]	Frequency Error[ppm]	Limit [ppm]
Normal (25C)	1882.5	9	0.00478	2.5
Extreme (50C)	1882.5	7	0.00372	2.5
Extreme (40C)	1882.5	10	0.00531	2.5
Extreme (30C)	1882.5	6	0.00319	2.5
Extreme (10C)	1882.5	13	0.00691	2.5
Extreme (0C)	1882.5	14	0.00744	2.5
Extreme (-10C)	1882.5	5	0.00266	2.5
Extreme (-20C)	1882.5	12	0.00637	2.5
Extreme (-30C)	1882.5	10	0.00531	2.5

Band 25 16QAM, (20MHz BANDWIDTH RB size 100 RB Offset 0)

Frequency error vs. Voltage

Voltage [Vdc]	Frequency [MHz]	Frequency* Error[Hz]	Frequency Error[ppm]	Limit [ppm]
3.31	1882.5	8	0.00425	2.5
3.89	1882.5	15	0.00797	2.5
4.47	1882.5	11	0.00584	2.5

Frequency error vs. Temperature

Temperature [°C]	Frequency [MHz]	Frequency* Error[Hz]	Frequency Error[ppm]	Limit [ppm]
Normal (25C)	1882.5	8	0.00425	2.5
Extreme (50C)	1882.5	5	0.00266	2.5
Extreme (40C)	1882.5	10	0.00531	2.5
Extreme (30C)	1882.5	16	0.00850	2.5
Extreme (10C)	1882.5	5	0.00266	2.5
Extreme (0C)	1882.5	7	0.00372	2.5
Extreme (-10C)	1882.5	5	0.00266	2.5
Extreme (-20C)	1882.5	19	0.01009	2.5

***Note:** Frequency error measurements were made by using the build-in capability of the Wireless Communication Test Set.

10.11 LTE BAND 38

QPSK, (20MHz BANDWIDTH)

Frequency error vs. Voltage

Voltage [Vdc]	Frequency [MHz]	Frequency* Error[Hz]	Frequency Error[ppm]	Limit [ppm]
BAND 38 QPSK, (CH 37850 RB size 100 RB Offset 0 20MHz BANDWIDTH)				
3.31	2595	23	0.00886	2.5
3.89	2595	15	0.00578	2.5
4.47	2595	6	0.00231	2.5

Frequency error vs. Temperature

Temperature [°C]	Frequency [MHz]	Frequency* Error[Hz]	Frequency Error[ppm]	Limit [ppm]
BAND 38 QPSK, (CH 37850 RB size 100 RB Offset 0 20MHz BANDWIDTH)				
Normal (25C)	2595	1	0.00039	2.5
Extreme (50C)	2595	5	0.00193	2.5
Extreme (40C)	2595	12	0.00462	2.5
Extreme (30C)	2595	14	0.00539	2.5
Extreme (10C)	2595	19	0.00732	2.5
Extreme (0C)	2595	22	0.00848	2.5
Extreme (-10C)	2595	26	0.01002	2.5
Extreme (-20C)	2595	15	0.00578	2.5
Extreme (-30C)	2595	3	0.00116	2.5

16QAM, (20MHz BANDWIDTH)

Frequency error vs. Voltage

Voltage [Vdc]	Frequency [MHz]	Frequency* Error[Hz]	Frequency Error[ppm]	Limit [ppm]
BAND 38 16QAM, (CH 37850 RB size 100 RB Offset 0 20MHz BANDWIDTH)				
3.31	2595	1	0.00039	2.5
3.89	2595	17	0.00655	2.5
4.47	2595	11	0.00424	2.5

Frequency error vs. Temperature

Temperature [°C]	Frequency [MHz]	Frequency* Error[Hz]	Frequency Error[ppm]	Limit [ppm]
BAND 38 16QAM, (CH 37850 RB size 100 RB Offset 0 20MHz BANDWIDTH)				
Normal (25C)	2595	1	0.00039	2.5
Extreme (50C)	2595	9	0.00347	2.5
Extreme (40C)	2595	9	0.00347	2.5
Extreme (30C)	2595	16	0.00617	2.5
Extreme (10C)	2595	17	0.00655	2.5
Extreme (0C)	2595	21	0.00809	2.5
Extreme (-10C)	2595	24	0.00925	2.5
Extreme (-20C)	2595	1	0.00039	2.5
Extreme (-30C)	2595	3	0.00116	2.5

***Note:** Frequency error measurements were made by using the build-in capability of the Wireless Communication Test Set.

10.12 LTE BAND 41

Band 41 QPSK, (20MHz BANDWIDTH RB size 100 RB Offset 0)

Frequency error vs. Voltage

Voltage [Vdc]	Frequency [MHz]	Frequency* Error[Hz]	Frequency Error[ppm]	Limit [ppm]
3.31	2593	0	0.00000	2.5
3.89	2593	13	0.00501	2.5
4.47	2593	17	0.00656	2.5

Frequency error vs. Temperature

Temperature [°C]	Frequency [MHz]	Frequency* Error[Hz]	Frequency Error[ppm]	Limit [ppm]
Normal (25C)	2593	24	0.00926	2.5
Extreme (50C)	2593	20	0.00771	2.5
Extreme (40C)	2593	11	0.00424	2.5
Extreme (30C)	2593	11	0.00424	2.5
Extreme (10C)	2593	7	0.00270	2.5
Extreme (0C)	2593	3	0.00116	2.5
Extreme (-10C)	2593	14	0.00540	2.5
Extreme (-20C)	2593	15	0.00578	2.5
Extreme (-30C)	2593	12	0.00463	2.5

Band 41 16QAM, (20MHz BANDWIDTH RB size 100 RB Offset 0)

Frequency error vs. Voltage

Voltage [Vdc]	Frequency [MHz]	Frequency* Error[Hz]	Frequency Error[ppm]	Limit [ppm]
3.31	2593	10	0.00386	2.5
3.89	2593	12	0.00463	2.5
4.47	2593	9	0.00347	2.5

Frequency error vs. Temperature

Temperature [°C]	Frequency [MHz]	Frequency* Error[Hz]	Frequency Error[ppm]	Limit [ppm]
Normal (25C)	2593	16	0.00617	2.5
Extreme (50C)	2593	12	0.00463	2.5
Extreme (40C)	2593	17	0.00656	2.5
Extreme (30C)	2593	16	0.00617	2.5
Extreme (10C)	2593	11	0.00424	2.5
Extreme (0C)	2593	1	0.00039	2.5
Extreme (-10C)	2593	16	0.00617	2.5
Extreme (-20C)	2593	3	0.00116	2.5
Extreme (-30C)	2593	15	0.00578	2.5

***Note:** Frequency error measurements were made by using the build-in capability of the Wireless Communication Test Set.

11. Peak-to-Average Ratio

11.1 Description of the PAR Measurement

The peak-to-average ratio (PAR) of the transmission may not exceed 13 dB.

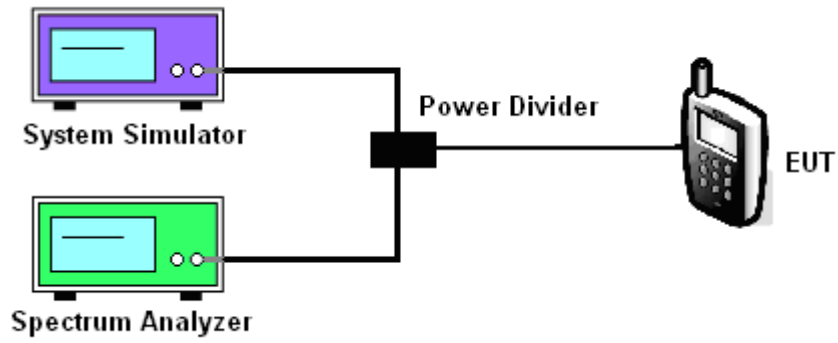
11.2 Measuring Instruments

See list of measuring instruments of this test report.

11.3 Test Procedures

1. The EUT was connected to Spectrum Analyzer and Base Station via power divider.
2. The RF output of EUT was connected to the spectrum analyzer by RF cable and attenuator. The path loss was compensated to the results for each measurement.
3. For LTE operating modes:
 - a. Set the CCDF (Complementary Cumulative Distribution Function) option in spectrum analyzer.
 - b. The highest RF powers were measured and recorded the maximum PAPR level associated with a probability of 0.1 %.

11.4 Test Setup



MODES TESTED

LTE Band 2/4/5/7/12/13/17/18/19/25/38/41

Test data reference attachment.

----END OF REPORT----