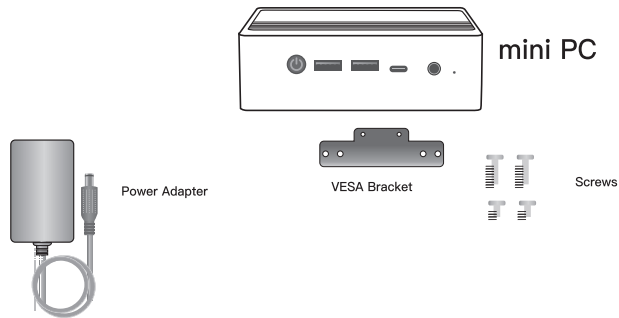




Package contents



Warranty Card

Product Name: _____

SN: _____

Phone: _____

User Name: _____

Address: _____

Email: _____

This product is covered by a one-year warranty.

Shenzhen Anxin Taihe Technology Co.,Ltd

Tel: +86 0755-28019317

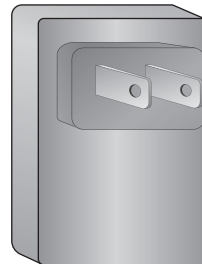
E-Mail: pm01@sz-botu.com

Address: 2nd floor, building 28, Longjun Industrial Zone
Dalang street, Longhua district Shenzhen

The terms HDMI, HDMI High-Definition Multimedia Interface, and the HDMI Logo are trademarks or registered trademarks of HDMI Licensing Administrator, Inc.

Power Adapter

* The plug may vary depending on your region.



US

United States

Reminder

When you turn on the computer for the first time, please do not connect it to Ethernet or connect to Wi-Fi, this can avoid some settings to make this computer enter Windows faster.

The update of Windows will take some time, please wait patiently for the process to be completed; please do not cut off the power during the process to prevent damage to system files and your files.

If you need to use the USB Type-C port to connect a monitor, please connect the monitor to your BMAX device before powering on your BMAX device.

Manage display language settings in Windows

The display language you select changes the default language used by Windows features, such as Settings and File Explorer.

1. Select the Start button > Settings > Time & Language > Language.

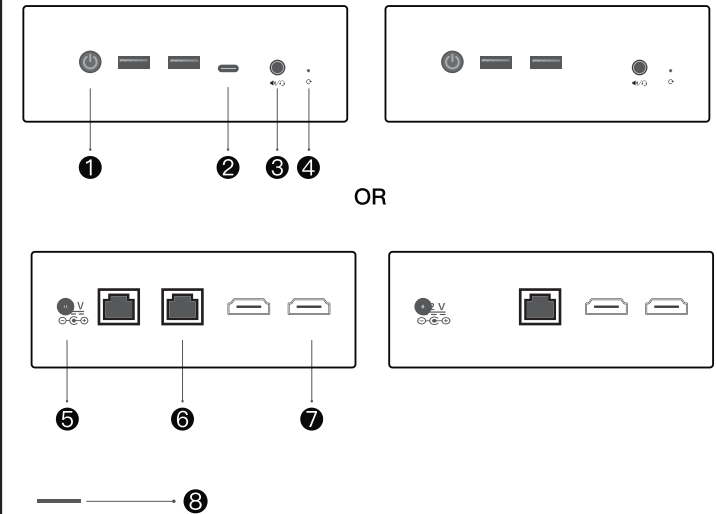
2. Choose a language from the Windows display language menu, or, under Preferred languages, select Add a language to install the one you want if it isn't listed.

When you first turn on your computer, don't connect it to Ethernet or Wi-Fi, the system can avoid certain settings to get your computer into Windows faster.

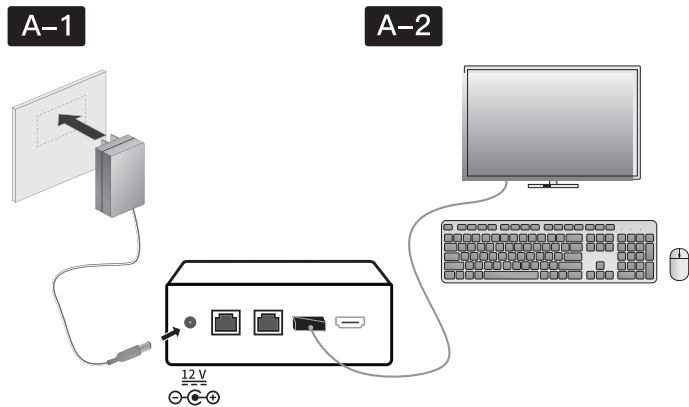
Windows upgrade takes a while, please wait patiently for the process to complete, during this process, please do not turn off the power to avoid damaging system files.

If you need to connect the monitor using the USB Type-C port, please connect the monitor to the BMAX before turning on the BMAX device.

Product display

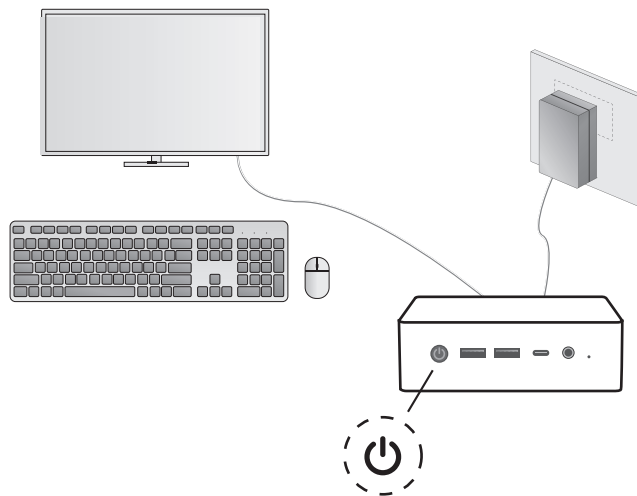


■ Connect your BMAX device to a power source



7

■ Turn on the computer



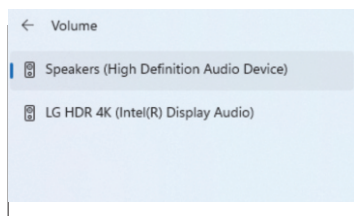
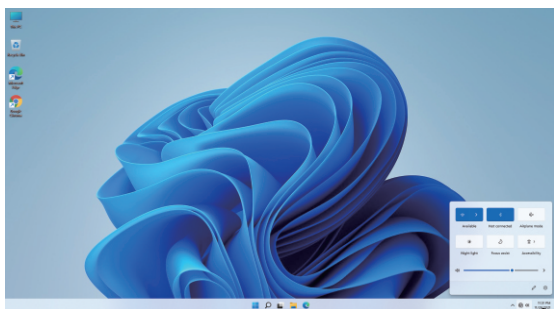
8

■ Setting Up Windows for the First Time



9

■ Check your speaker output

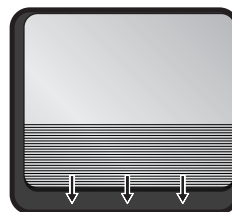


10

■ Installing the M.2 SSD

1. Place the mini PC on a flat stable surface, push the top cover forward, and lift the top cover from the left side.
2. The SATA cable is connected to the motherboard. Do not remove this cable.
3. Remove the round screw from the slot inside the mini PC.
4. Align and insert the M.2 SSD into its slot inside the mini PC.
5. Gently push down the M.2 SSD on top of the screw hole and fasten it using one of the bundled round screws.
6. Place the mini PC on a stable and flat surface and put the top cover back on the mini PC.

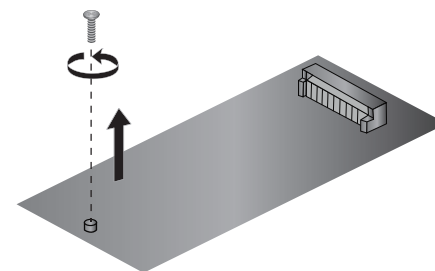
B-1



Installation instruction may vary depending on model

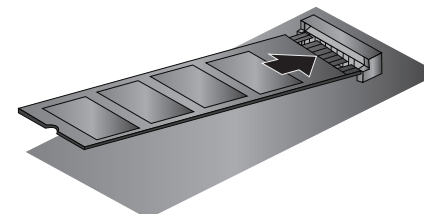
11

B-2

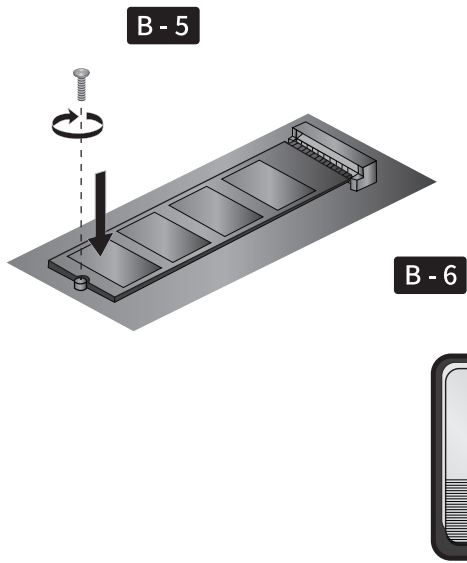


B-3

B-4



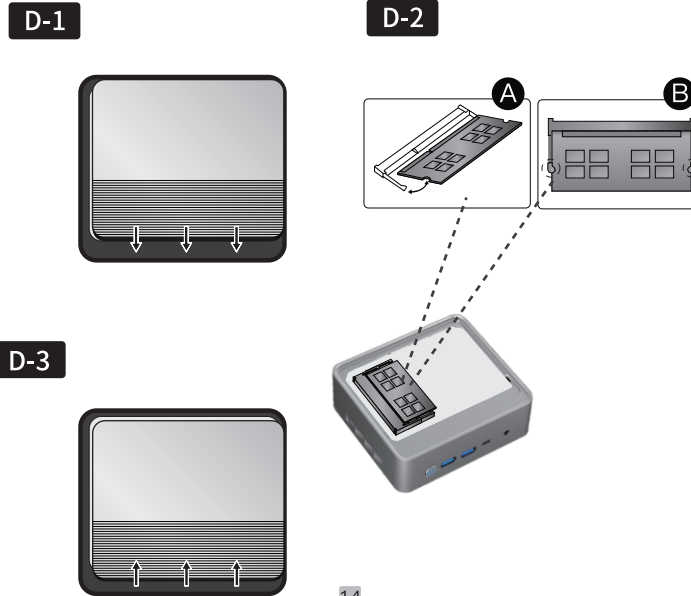
12



Product pictures and display contents are provided for reference only. Actual product features and specifications may vary.

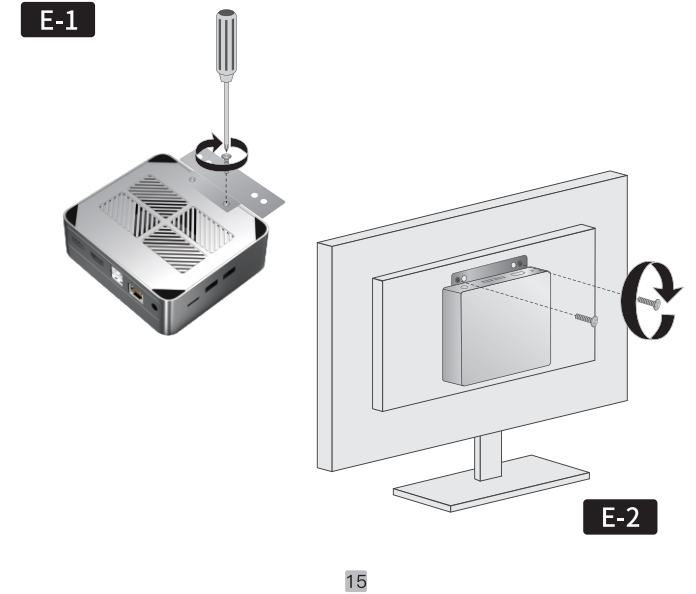
13

Installing memory modules



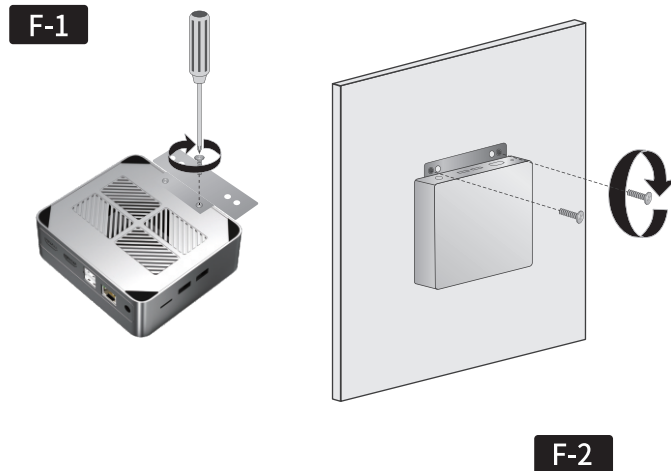
Steps for back of display mount

* Installation instruction may vary depending on model



Steps for wall mount

* Installation instruction may vary depending on model



16

FCC Statement

This equipment has been tested and found to comply with the limits for a Class B digital device, pursuant to part 15 of the FCC Rules. These limits are designed to provide reasonable protection against harmful interference in a residential installation. This equipment generates, uses and can radiate radio frequency energy and, if not installed and used in accordance with the instructions, may cause harmful interference to radio communications. However, there is no guarantee that interference will not occur in a particular installation. If this equipment does cause harmful interference to radio or television reception, which can be determined by turning the equipment off and on, the user is encouraged to try to correct the interference by one or more of the following measures:

- Reorient or relocate the receiving antenna.
- Increase the separation between the equipment and receiver.
- Connect the equipment into an outlet on a circuit different from that to which the receiver is connected.
- Consult the dealer or an experienced radio/TV technician for help.

Caution: Any changes or modifications to this device not explicitly approved by manufacturer could void your authority to operate this equipment.

This device complies with part 15 of the FCC Rules. Operation is subject to the following two conditions: (1) This device may not cause harmful interference, and (2) this device must accept any interference received, including interference that may cause undesired operation.

RF Exposure Information

This equipment complies with FCC radiation exposure limits set forth for an uncontrolled environment. This equipment should be installed and operated with minimum distance 20cm between the radiator and your body.