



FCC TEST REPORT

FCC ID:2A8WE-4S462335

Report Number..... : ZKT-221010L7412E

Date of Test..... Oct. 08, 2022 to Oct. 12, 2022

Date of issue..... : Oct. 12, 2022

Total number of pages..... 22

Test Result : PASS

Testing Laboratory..... : Shenzhen ZKT Technology Co., Ltd.

Address : 1/F, No. 101, Building B, No. 6, Tangwei Community Industrial Avenue, Fuhai Street, Bao'an District, Shenzhen, China

Applicant's name : Dongguan Haoyu Technology Co., Ltd

Address : No. 1, Shuiwei Lane 5, Yangwu Village, Dailingshan Town, Dongguan City

Manufacturer's name : Dongguan Haoyu Technology Co., Ltd

Address : No. 1, Shuiwei Lane 5, Yangwu Village, Dailingshan Town, Dongguan City

Test specification:

Standard..... : FCC CFR Title 47 Part 15 Subpart C

Test procedure..... : /

Non-standard test method : N/A

Test Report Form No..... : TRF-EL-107_V0

Test Report Form(s) Originator..... : ZKT Testing

Master TRF : Dated: 2020-01-06

This device described above has been tested by ZKT, and the test results show that the equipment under test (EUT) is in compliance with the FCC requirements. And it is applicable only to the tested sample identified in the report.

This report shall not be reproduced except in full, without the written approval of ZKT, this document may be altered or revised by ZKT, personal only, and shall be noted in the revision of the document.

Product name..... : 4smarts Pocket Tray Organizer with Wireless Charger 15W

Trademark : N/A

Model/Type reference..... : 4S462335, 4S462336, 4S462337, 4S462338, 4S462339

Ratings..... : USB input: 9V 1.67A, 12V 1.5A
Wireless Output: 9V 1.1A, 12V 1.25A



Testing procedure and testing location:

Testing Laboratory.....: **Shenzhen ZKT Technology Co., Ltd.**

Address.....: 1/F, No. 101, Building B, No. 6, Tangwei Community Industrial Avenue, Fuhai Street, Bao'an District, Shenzhen, China

Tested by (name + signature).....: Alen He

Reviewer (name + signature).....: Joe Liu

Approved (name + signature).....: Lake Xie





TABLE OF CONTENTS

| | |
|---|-----------|
| 1. VERSION | 4 |
| 2. TEST SUMMARY | 5 |
| 2.1 TEST FACILITY | 6 |
| 2.2 MEASUREMENT UNCERTAINTY | 6 |
| 3. GENERAL INFORMATION | 7 |
| 3.1 GENERAL DESCRIPTION OF EUT | 7 |
| 3.2 Test mode | 7 |
| 3.3 Block Diagram of EUT Configuration | 7 |
| 3.4 Test Conditions | 8 |
| 3.5 Description Of Support Units (Conducted Mode) | 8 |
| 3.6 EQUIPMENTS LIST FOR ALL TEST ITEMS | 9 |
| 4. CONDUCTED EMISSION TEST | 11 |
| 4.1 CONDUCTED EMISSION MEASUREMENT | 11 |
| 4.1.1 POWER LINE CONDUCTED EMISSION Limits | 11 |
| 4.1.2 TEST PROCEDURE | 11 |
| 4.1.3 DEVIATION FROM TEST STANDARD | 11 |
| 4.1.4 TEST SETUP | 12 |
| 4.1.5 EUT OPERATING CONDITIONS | 12 |
| 4.1.6 Test Result | 12 |
| 5. RADIATED EMISSION MEASUREMENT | 15 |
| 5.1 Radiated Emission Limits | 15 |
| 5.2 Anechoic Chamber Test Setup Diagram | 16 |
| 5.3 Test Procedure | 16 |
| 5.4 DEVIATION FROM TEST STANDARD | 16 |
| 5.5 Test Result | 17 |
| 6. BANDWIDTH TEST | 20 |
| 7. TEST SETUP PHOTO | 22 |
| 8. EUT CONSTRUCTIONAL DETAILS | 22 |



1. VERSION

| Report No. | Version | Description | Approved |
|------------------|---------|-------------------------|--------------|
| ZKT-221010L7412E | Rev.01 | Initial issue of report | Oct.12, 2022 |
| | | | |
| | | | |



2. TEST SUMMARY

| Test Item | Section in CFR 47 | Result |
|----------------------------------|-------------------|--------|
| Antenna requirement | 15.203 | Pass |
| AC Power Line Conducted Emission | 15.207 | Pass |
| Spurious Emission | 15.209(a)(f) | Pass |
| 20dB Bandwidth | 15.215 | Pass |

NOTE:

(1) "N/A" denotes test is not applicable in this Test Report



2.1 TEST FACILITY

Shenzhen ZKT Technology Co., Ltd.
Add. : 1/F, No. 101, Building B, No. 6, Tangwei Community Industrial Avenue, Fuhai Street,
Bao'an District, Shenzhen, China

FCC Test Firm Registration Number: 692225
Designation Number: CN1299
IC Registered No.: 27033

2.2 MEASUREMENT UNCERTAINTY

The reported uncertainty of measurement $y \pm U$, where expanded uncertainty U is based on a standard uncertainty multiplied by a coverage factor of $k=2$, providing a level of confidence of approximately 95 %.

| No. | Item | Uncertainty |
|-----|--|------------------------|
| 1 | AC Conduced Emission Test | $\pm 1.38\text{dB}$ |
| 2 | 3m camber Radiated spurious emission(9KHz-30MHz) | $U=4.5\text{dB}$ |
| 3 | 3m camber Radiated spurious emission(30MHz-1GHz) | $U=4.8\text{dB}$ |
| 4 | 3m chamber Radiated spurious emission(1GHz-18GHz) | $U=4.9\text{dB}$ |
| 5 | 3m chamber Radiated spurious emission(18GHz-40GHz) | $U=5.0\text{dB}$ |
| 6 | Conducted Adjacent channel power | $U=1.38\text{dB}$ |
| 7 | Conducted output power uncertainty Above 1G | $U=1.576\text{dB}$ |
| 8 | Conducted output power uncertainty below 1G | $U=1.28\text{dB}$ |
| 9 | humidity uncertainty | $U=5.3\%$ |
| 10 | Temperature uncertainty | $U=0.59^\circ\text{C}$ |



3. GENERAL INFORMATION

3.1 GENERAL DESCRIPTION OF EUT

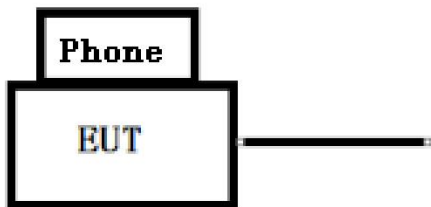
| | |
|----------------------|---|
| Product Name: | 4smarts Pocket Tray Organizer with Wireless Charger 15W |
| Model No.: | 4S462335 |
| Serial No.: | 4S462336, 4S462337, 4S462338, 4S462339 |
| Model Difference: | All the same except the model number and the colour |
| Hardware version: | V1.0 |
| Software version: | V1.0 |
| Operation Frequency: | 110-205KHz |
| Modulation type: | MSK |
| Antenna Type: | Inductive loop coil Antenna |
| Antenna gain: | 0 dBi |

3.2 Test mode

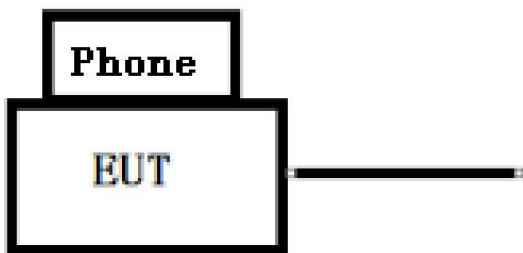
| Test Modes: | | |
|---|--------------------|--------|
| Mode 1 | EUT + Mobile Phone | Record |
| Note: All test modes were pre-tested, but we only recorded the worst case in this report. | | |

3.3 Block Diagram of EUT Configuration

Conducted Emission



Radiated Emission





3.4 Test Conditions

Temperature: 23~26°C

Relative Humidity: 54~63 %

3.5 Description Of Support Units (Conducted Mode)

The EUT has been tested as an independent unit together with other necessary accessories or support units. The following support units or accessories were used to form a representative test configuration during the tests.

| Item | Equipment | Mfr/Brand | Model/Type No. | Series No. | Note |
|------|---|-----------|----------------|---|-----------|
| E1 | 4smarts Pocket Tray Organizer with Wireless Charger 15W | N/A | 4S462335 | 4S462336, 4S462337, 4S462338, 4S462339 | EUT |
| E2 | Mobile Phone | N/A | OPPO A96 | N/A | Auxiliary |
| | | | | | |
| | | | | | |

| Item | Shielded Type | Ferrite Core | Length | Note |
|------|---------------|--------------|--------|------|
| | | | | |
| | | | | |
| | | | | |

Note:

- (1) The support equipment was authorized by Declaration of Confirmation.
- (2) For detachable type I/O cable should be specified the length in cm in 『Length』 column.
- (3) “YES” is means “shielded” “with core”; “NO” is means “unshielded” “without core”.



3.6 EQUIPMENTS LIST FOR ALL TEST ITEMS

Radiation Test equipment

| Item | Equipment | Manufacturer | Type No. | Serial No. | Last calibration | Calibrated until |
|------|----------------------------------|----------------|-----------------|-------------------|------------------|------------------|
| 1 | Spectrum Analyzer (9kHz-26.5GHz) | KEYSIGHT | 9020A | MY55370835 | Oct. 18, 2021 | Oct. 17, 2022 |
| 2 | Spectrum Analyzer (1GHz-40GHz) | R&S | FSQ | 100363 | Oct. 17, 2021 | Oct. 16, 2022 |
| 3 | EMI Test Receiver (9kHz-7GHz) | R&S | ESC17 | 101169 | Oct. 18, 2021 | Oct. 17, 2022 |
| 4 | Bilog Antenna (30MHz-1500MHz) | Schwarzbeck | VULB9168 | N/A | Oct. 17, 2021 | Oct. 16, 2022 |
| 5 | Horn Antenna (1GHz-18GHz) | Agilent | AH-118 | 071145 | Oct. 17, 2021 | Oct. 16, 2022 |
| 6 | Loop Antenna | TESEQ | HLA6121 | 58357 | Oct. 17, 2021 | Oct. 16, 2022 |
| 7 | Amplifier (30-1000MHz) | EM Electronics | EM330 Amplifier | 060747 | Oct. 18, 2021 | Oct. 17, 2022 |
| 8 | Amplifier (1GHz-26.5GHz) | Agilent | 8449B | 3008A00315 | Oct. 18, 2021 | Oct. 17, 2022 |
| 9 | RF cables1 (9kHz-30MHz) | N/A | 9kHz-30MHz | N/A | Oct. 18, 2021 | Oct. 17, 2022 |
| 10 | RF cables2 (30MHz-1GHz) | N/A | 30MHz-1GHz | N/A | Oct. 18, 2021 | Oct. 17, 2022 |
| 11 | RF cables3 (1GHz-40GHz) | N/A | 1GHz-40GHz | N/A | Oct. 18, 2021 | Oct. 17, 2022 |
| 12 | ESG Signal Generator | Agilent | E4421B | N/A | Oct. 22, 2021 | Oct. 21, 2022 |
| 13 | Signal Generator | Agilent | N5182A | N/A | Oct. 22, 2021 | Oct. 21, 2022 |
| 14 | Magnetic Field Probe Tester | Narda | ELT-400 | 0-0344 | Oct. 17, 2021 | Oct. 16, 2022 |
| 15 | MWRF Power Meter Test system | MW | MW100-RPCB | N/A | Oct. 22, 2021 | Oct. 21, 2022 |
| 16 | D.C. Power Supply | LongWei | TPR-6405D | N/A | \ | \ |
| 17 | EMC Software | Frad | EZ-EMC | Ver.EMC-CON 3A1.1 | \ | \ |
| 18 | RF Software | MW | MTS8310 | V2.0.0.0 | \ | \ |
| 19 | Turntable | MF | MF-7802BS | N/A | \ | \ |
| 20 | Antenna tower | MF | MF-7802BS | N/A | \ | \ |



Conduction Test equipment

| Item | Kind of Equipment | Manufacturer | Type No. | Serial No. | Last calibration | Calibrated until |
|------|-------------------|--------------|----------|--------------------|------------------|------------------|
| 1 | LISN | R&S | ENV216 | 101471 | Oct. 22, 2021 | Oct. 21, 2022 |
| 2 | LISN | CYBERTEK | EM5040A | E1850400149 | Oct. 22, 2021 | Oct. 21, 2022 |
| 3 | Test Cable | N/A | C01 | N/A | Oct. 18, 2021 | Oct. 17, 2022 |
| 4 | Test Cable | N/A | C02 | N/A | Oct. 18, 2021 | Oct. 17, 2022 |
| 5 | EMI Test Receiver | R&S | ESC13 | 101393 | Oct. 17, 2021 | Oct. 16, 2022 |
| 6 | EMC Software | Frad | EZ-EMC | Ver.EMC-CO N 3A1.1 | \ | \ |



4. CONDUCTED EMISSION TEST

4.1 CONDUCTED EMISSION MEASUREMENT

| | |
|-----------------------|--------------------------------------|
| Test Requirement: | FCC Part15 C Section 15.207 |
| Test Method: | ANSI C63.10:2013 |
| Test Frequency Range: | 150KHz to 30MHz |
| Receiver setup: | RBW=9KHz, VBW=30KHz, Sweep time=auto |

4.1.1 POWER LINE CONDUCTED EMISSION Limits

| FREQUENCY (MHz) | Limit (dBuV) | | Standard |
|-----------------|--------------|-----------|----------|
| | Quas-peak | Average | |
| 0.15 -0.5 | 66 - 56 * | 56 - 46 * | FCC |
| 0.50 -5.0 | 56.00 | 46.00 | FCC |
| 5.0 -30.0 | 60.00 | 50.00 | FCC |

Note:

(1) *Decreases with the logarithm of the frequency.

4.1.2 TEST PROCEDURE

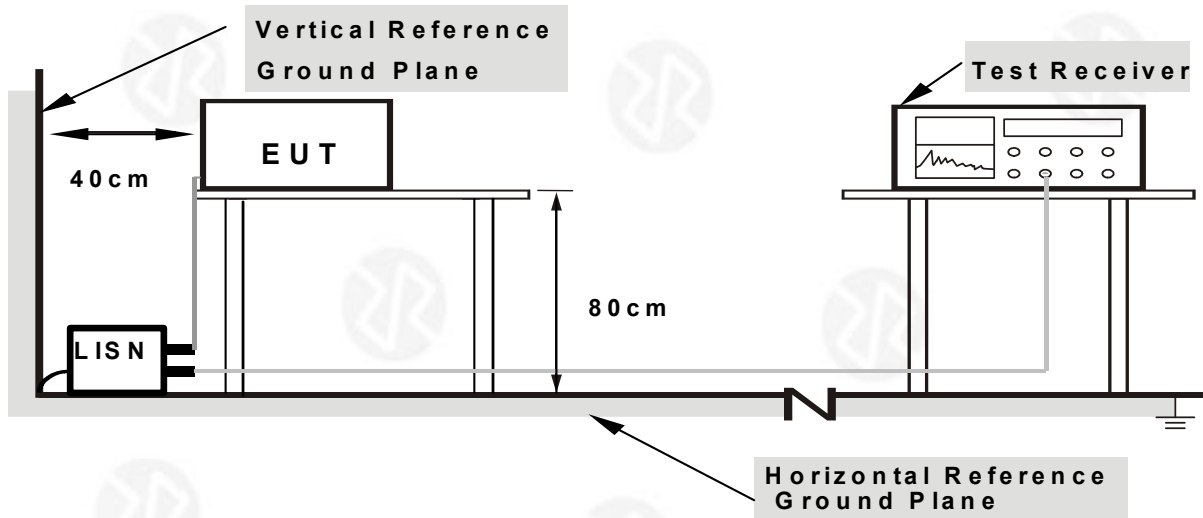
- a. The EUT was placed 0.8 meters from the horizontal ground plane with EUT being connected to the power mains through a line impedance stabilization network (LISN). All other support equipments powered from additional LISN(s). The LISN provide 50 Ohm/ 50uH of coupling impedance for the measuring instrument.
- b. Interconnecting cables that hang closer than 40 cm to the ground plane shall be folded back and forth in the center forming a bundle 30 to 40 cm long.
- c. I/O cables that are not connected to a peripheral shall be bundled in the center. The end of the cable may be terminated, if required, using the correct terminating impedance. The overall length shall not exceed 1 m.
- d. LISN at least 80 cm from nearest part of EUT chassis.
- e. For the actual test configuration, please refer to the related Item –EUT Test Photos.

4.1.3 DEVIATION FROM TEST STANDARD

No deviation



4.1.4 TEST SETUP



- Note:**
1. Support units were connected to second LISN.
 2. Both of LISNs (AMN) are 80 cm from EUT and at least 80 cm from other units and other metal planes

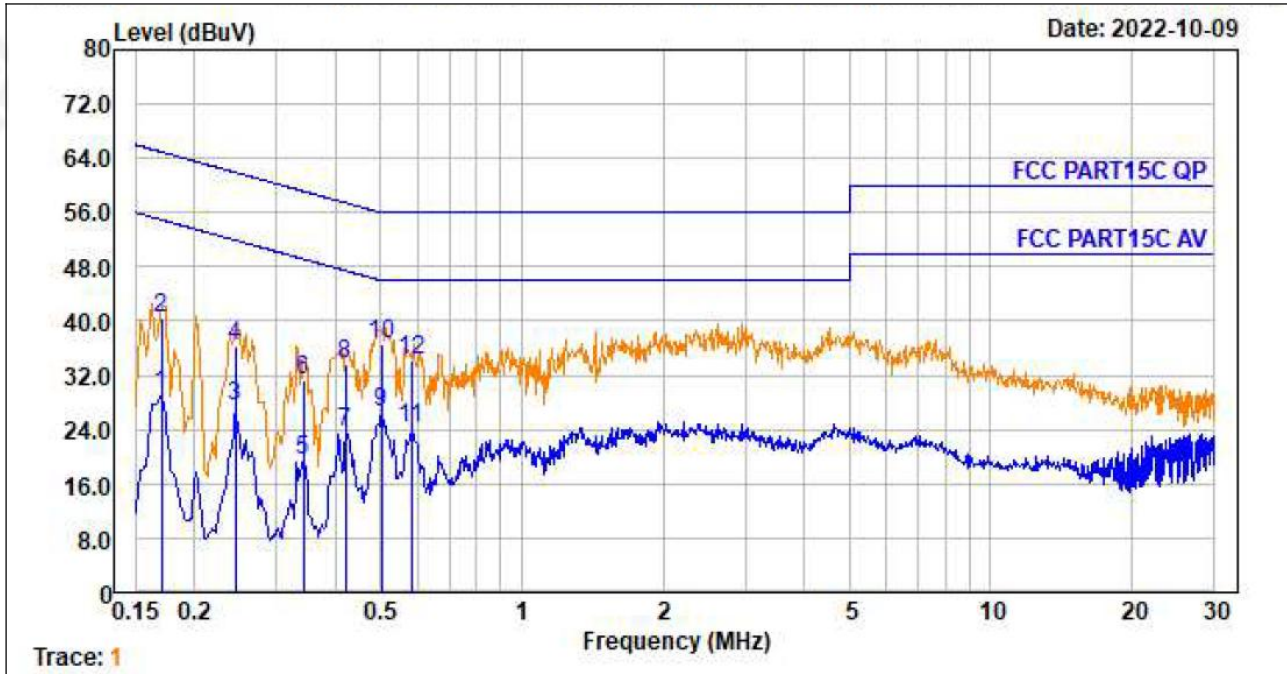
4.1.5 EUT OPERATING CONDITIONS

The EUT was configured for testing in a typical fashion (as a customer would normally use it). The EUT has been programmed to continuously transmit during test. This operating condition was tested and used to collect the included data.

4.1.6 Test Result



| | | | |
|----------------|--------------|--------------------|-----|
| Temperature: | 26°C | Relative Humidity: | 54% |
| Pressure: | 101kPa | Phase : | L |
| Test Voltage : | AC 120V/60Hz | | |



Trace: 1

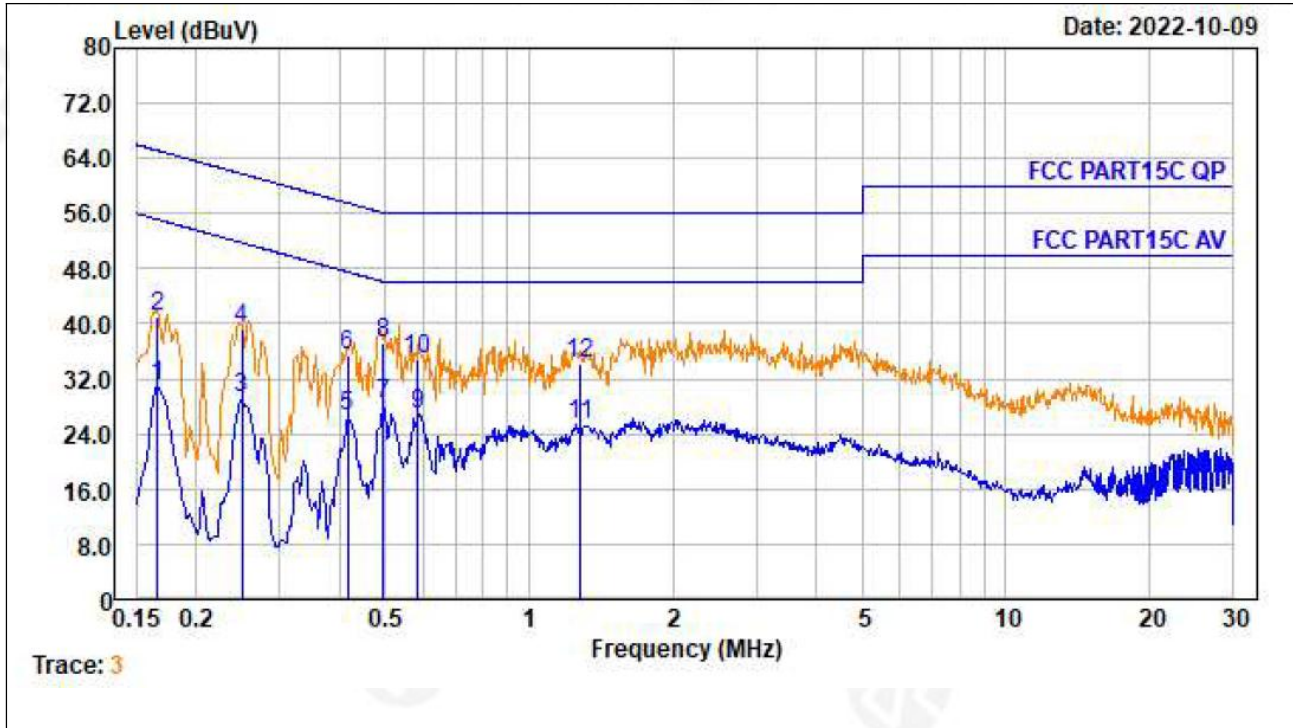
| No. | Freq MHz | Cable Loss dB | ANT Factor dB/m | Receiver Reading dBUV | Preamp Factor dB | Emission Level dBUV/m | Limit dBUV/m | Over Limit dB | Remark |
|-----|----------|---------------|-----------------|-----------------------|------------------|-----------------------|--------------|---------------|---------|
| 1. | 0.170 | 0.00 | 9.54 | 19.80 | 0.00 | 29.34 | 54.94 | -25.60 | Average |
| 2. | 0.170 | 0.00 | 9.54 | 30.80 | 0.00 | 40.34 | 64.94 | -24.60 | QP |
| 3. | 0.246 | 0.01 | 9.56 | 17.80 | 0.00 | 27.37 | 51.91 | -24.54 | Average |
| 4. | 0.246 | 0.01 | 9.56 | 26.80 | 0.00 | 36.37 | 61.91 | -25.54 | QP |
| 5. | 0.343 | 0.01 | 9.56 | 9.82 | 0.00 | 19.39 | 49.13 | -29.74 | Average |
| 6. | 0.343 | 0.01 | 9.56 | 21.82 | 0.00 | 31.39 | 59.13 | -27.74 | QP |
| 7. | 0.421 | 0.01 | 9.57 | 14.13 | 0.00 | 23.71 | 47.42 | -23.71 | Average |
| 8. | 0.421 | 0.01 | 9.57 | 24.13 | 0.00 | 33.71 | 57.42 | -23.71 | QP |
| 9. | 0.502 | 0.01 | 9.57 | 16.99 | 0.00 | 26.57 | 46.00 | -19.43 | Average |
| 10. | 0.502 | 0.01 | 9.57 | 26.99 | 0.00 | 36.57 | 56.00 | -19.43 | QP |
| 11. | 0.582 | 0.02 | 9.57 | 14.65 | 0.00 | 24.24 | 46.00 | -21.76 | Average |
| 12. | 0.582 | 0.02 | 9.57 | 24.65 | 0.00 | 34.24 | 56.00 | -21.76 | QP |

Notes:

- 1.An initial pre-scan was performed on the line and neutral lines with peak detector.
- 2.Quasi-Peak and Average measurement were performed at the frequencies with maximized peak emission.
- 3.Measurement Level = Reading level + Correct Factor



| | | | |
|----------------|--------------|--------------------|-----|
| Temperature: | 26°C | Relative Humidity: | 54% |
| Pressure: | 101kPa | Phase : | N |
| Test Voltage : | AC 120V/60Hz | | |



| No. | Freq MHz | Cable Loss dB | ANT Factor dB/m | Receiver Reading dBuV | Preamp Factor dB | Emission Level dBuV/m | Limit dBuV/m | Over Limit dB | Remark |
|-----|----------|---------------|-----------------|-----------------------|------------------|-----------------------|--------------|---------------|---------|
| 1. | 0.166 | 0.00 | 9.54 | 21.51 | 0.00 | 31.05 | 55.16 | -24.11 | Average |
| 2. | 0.166 | 0.00 | 9.54 | 31.50 | 0.00 | 41.04 | 65.16 | -24.12 | QP |
| 3. | 0.249 | 0.01 | 9.56 | 19.64 | 0.00 | 29.21 | 51.78 | -22.57 | Average |
| 4. | 0.249 | 0.01 | 9.56 | 29.63 | 0.00 | 39.20 | 61.78 | -22.58 | QP |
| 5. | 0.417 | 0.01 | 9.57 | 16.97 | 0.00 | 26.55 | 47.51 | -20.96 | Average |
| 6. | 0.417 | 0.01 | 9.57 | 25.97 | 0.00 | 35.55 | 57.51 | -21.96 | QP |
| 7. | 0.494 | 0.01 | 9.58 | 18.74 | 0.00 | 28.33 | 46.10 | -17.77 | Average |
| 8. | 0.494 | 0.01 | 9.58 | 27.70 | 0.00 | 37.29 | 56.10 | -18.81 | QP |
| 9. | 0.585 | 0.02 | 9.58 | 17.36 | 0.00 | 26.96 | 46.00 | -19.04 | Average |
| 10. | 0.585 | 0.02 | 9.58 | 25.36 | 0.00 | 34.96 | 56.00 | -21.04 | QP |
| 11. | 1.282 | 0.03 | 9.58 | 15.75 | 0.00 | 25.36 | 46.00 | -20.64 | Average |
| 12. | 1.282 | 0.03 | 9.58 | 24.75 | 0.00 | 34.36 | 56.00 | -21.64 | QP |

Notes:

1. An initial pre-scan was performed on the line and neutral lines with peak detector.
2. Quasi-Peak and Average measurement were performed at the frequencies with maximized peak emission.
3. Measurement Level = Reading level + Correct Factor



5. RADIATED EMISSION MEASUREMENT

| | | | | | |
|-----------------------|-----------------------------|------------|--------|---------|------------|
| Test Requirement: | FCC Part15 C Section 15.209 | | | | |
| Test Method: | ANSI C63.10:2013 | | | | |
| Test Frequency Range: | 9kHz to 1GHz | | | | |
| Test site: | Measurement Distance: 3m | | | | |
| Receiver setup: | Frequency | Detector | RBW | VBW | Value |
| | 9KHz-150KHz | Quasi-peak | 200Hz | 600Hz | Quasi-peak |
| | 150KHz-30MHz | Quasi-peak | 9KHz | 30KHz | Quasi-peak |
| | 30MHz-1GHz | Quasi-peak | 100KHz | 300KHz | Quasi-peak |
| | Above 1GHz | Peak | 1MHz | 3MHz | Peak |
| Peak | | 1MHz | 10Hz | Average | |

5.1 Radiated Emission Limits

Limits for frequency below 30MHz

| Frequency | Limit (uV/m) | Measurement Distance(m) | Remark |
|-------------|--------------|-------------------------|------------------|
| 0.009-0.490 | 2400/F(kHz) | 300 | Quasi-peak Value |
| 0.490-1.705 | 24000/F(kHz) | 30 | Quasi-peak Value |
| 1.705-30 | 30 | 30 | Quasi-peak Value |

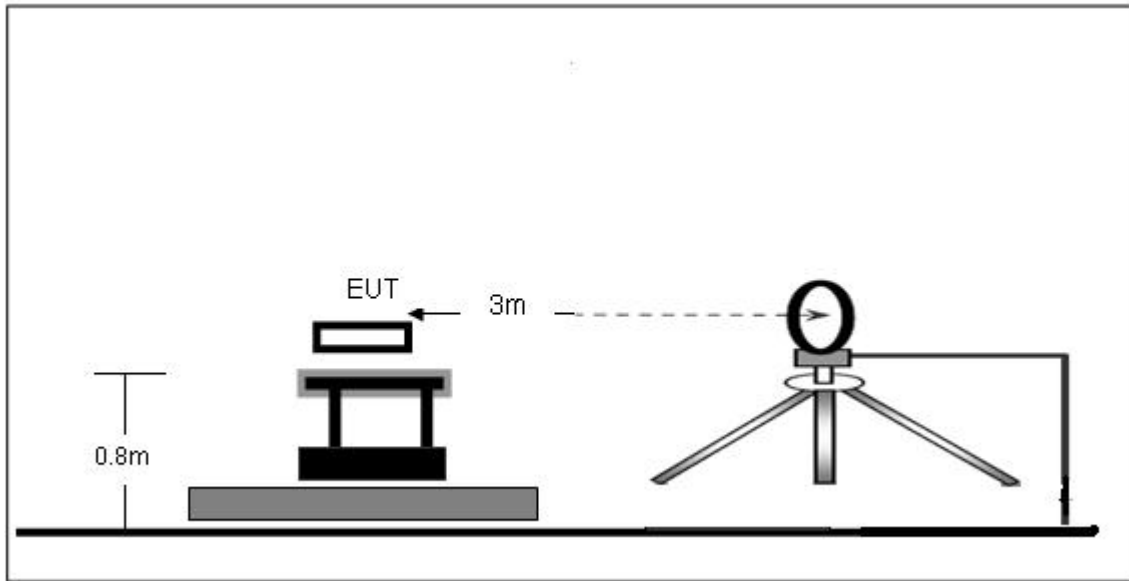
Limits for frequency Above 30MHz

| Frequency | Limit (dBuV/m @3m) | Remark |
|---------------|--------------------|------------------|
| 30MHz-88MHz | 40.00 | Quasi-peak Value |
| 88MHz-216MHz | 43.50 | Quasi-peak Value |
| 216MHz-960MHz | 46.00 | Quasi-peak Value |
| 960MHz-1GHz | 54.00 | Quasi-peak Value |
| Above 1GHz | 54.00 | Average Value |
| | 74.00 | Peak Value |

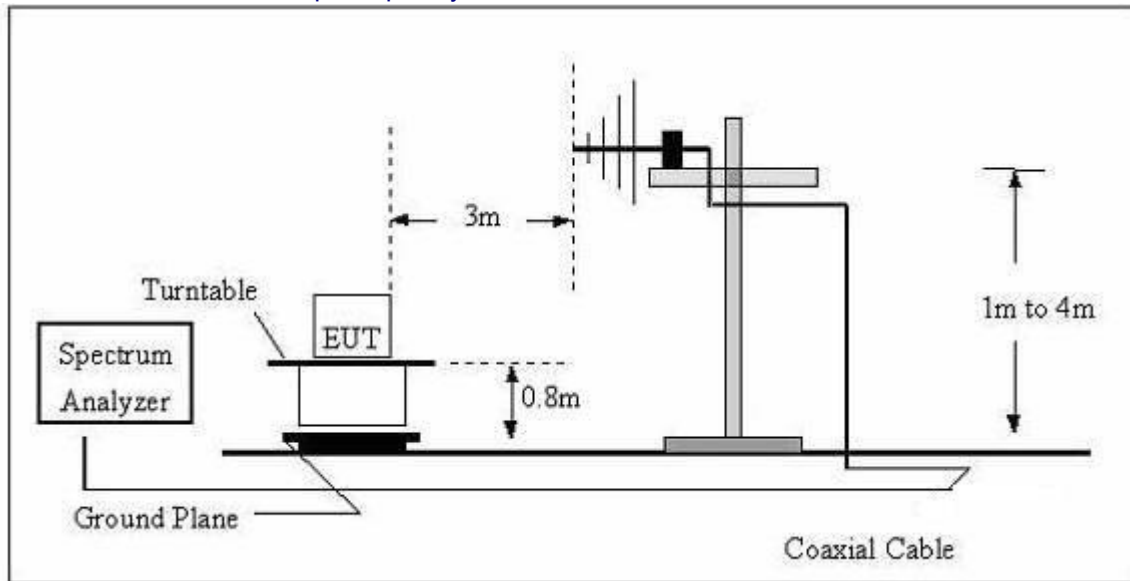


5.2 Anechoic Chamber Test Setup Diagram

(A) Radiated Emission Test-Up Frequency Below 30MHz



(B) Radiated Emission Test-Up Frequency 30MHz~1GHz



The radiated emission tests were performed in the 3 meters chamber test site, using the setup accordance with the ANSI C63.10-2013. The specification used was the FCC 15.209 and FCC 15.205 limits.

5.3 Test Procedure

The EUT is placed on a turn table which is 0.8 meter above ground. The turn table can rotate 360 degrees to determine the position of the maximum emission level. The EUT is set 3 meters away from the receiving antenna which is mounted on a antenna tower. The antenna can move up and down between 1 to 4 meters to find out the maximum emission level. Broadband antenna (calibrated by dipole antenna) are used as a receiving antenna. Both horizontal and vertical polarization of the antenna are set on measurement.

5.4 DEVIATION FROM TEST STANDARD

No deviation



5.5 Test Result

Measurement data:

Note: Limit dBuV/m @3m = Limit dBuV/m @300m+ 80

Limit dBuV/m @3m = Limit dBuV/m @30m + 40

9 kHz~30 MHz

| Frequency (kHz) | Meter Reading (dBμV/m) | Factor (dB/m) | Emission Level (dBμV/m) | Limits (dBμV/m) | Margin (dB) | Detector Type |
|--------------------|---------------------------|------------------|----------------------------|--------------------|----------------|---------------|
| 128.5 | 96.04 | 20.03 | 116.07 | 125.43 | -9.36 | PK |
| 128.5 | 77.65 | 20.03 | 97.68 | 105.43 | -7.75 | AV |
| 257.2 | 86.57 | 20.15 | 106.72 | 119.40 | -12.70 | PK |
| 257.2 | 69.83 | 20.15 | 89.98 | 99.40 | -9.40 | AV |
| 385.9 | 83.55 | 20.49 | 104.04 | 115.87 | -11.83 | PK |
| 385.9 | 66.97 | 20.49 | 87.46 | 95.87 | -8.41 | AV |
| 469.5 | 81.46 | 20.57 | 102.03 | 114.17 | -12.14 | PK |
| 469.5 | 44.21 | 20.57 | 84.78 | 94.17 | -9.39 | AV |
| 514.65 | 42.8 | 20.71 | 63.51 | 73.37 | -9.86 | QP |
| 3298.31 | 29.59 | 21.93 | 51.52 | 69.54 | -18.02 | QP |
| 4743.62 | 26.21 | 22.25 | 48.46 | 69.54 | -21.08 | QP |

Note:

Pre-scan in the all of mode, the worst case in of was recorded.

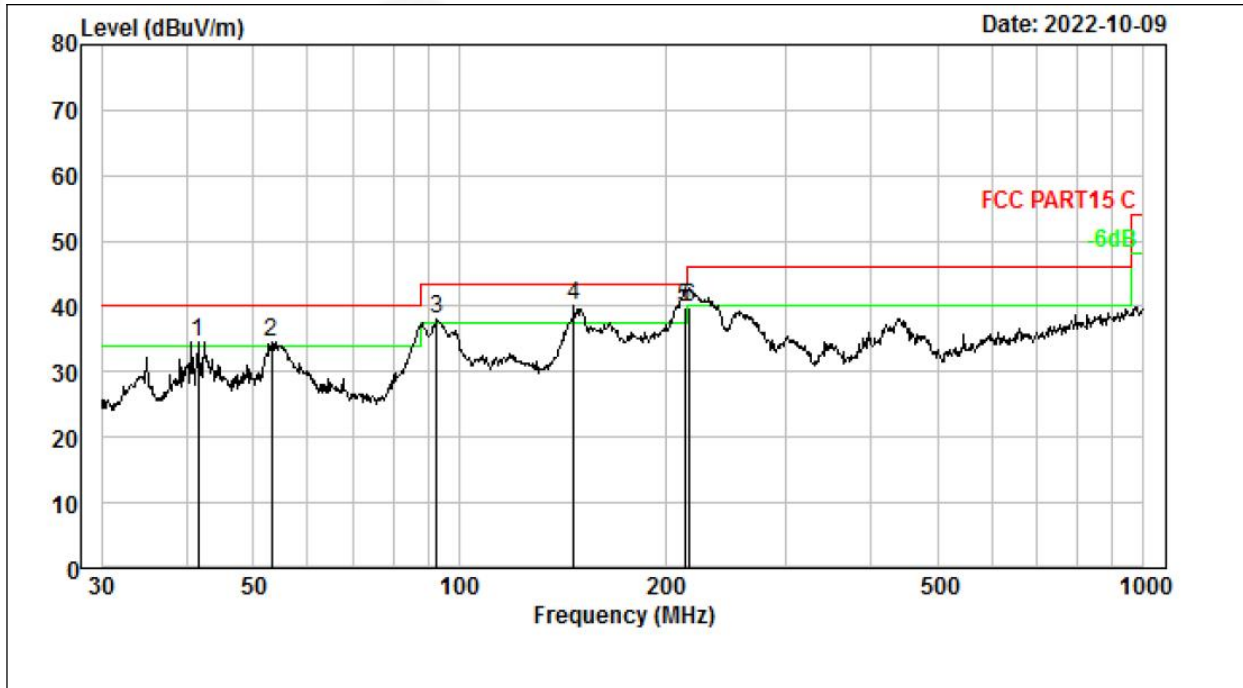
Factor = antenna factor + cable loss – pre-amplifier.

Margin = Emission Level- Limit.



30MHz-1GHz

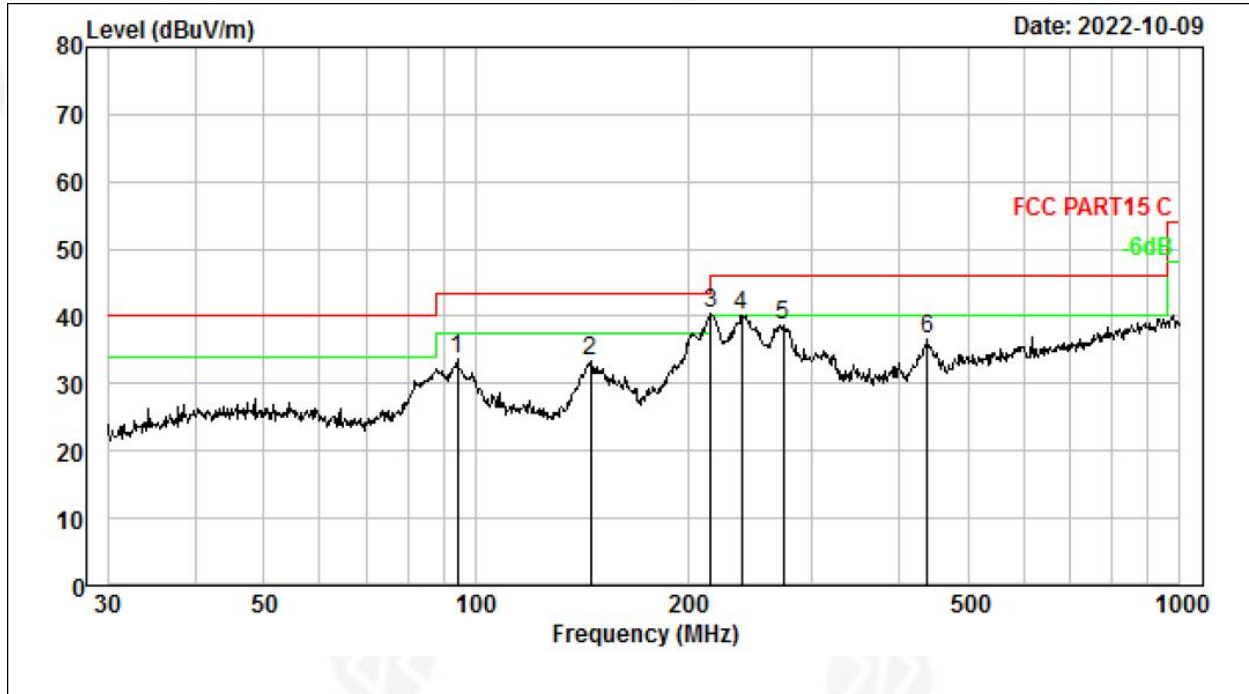
| | | | |
|---------------|--------------|--------------------|----------|
| Temperature: | 26°C | Relative Humidity: | 54% |
| Pressure: | 101 kPa | Polarization: | Vertical |
| Test Voltage: | AC 120V/60Hz | | |



| No. | Freq MHz | Cable Loss dB | ANT Factor dB/m | Receiver Reading dBμV | Preamp Gain dB | Emission Level dBμV/m | Limit dBμV/m | Over Limit dB | Remark |
|-----|----------|---------------|-----------------|-----------------------|----------------|-----------------------|--------------|---------------|--------|
| 1 | 41.567 | 0.36 | 12.53 | 21.76 | 0.00 | 34.65 | 40.00 | -5.35 | QP |
| 2 | 53.131 | 0.45 | 12.37 | 21.80 | 0.00 | 34.62 | 40.00 | -5.38 | QP |
| 3 | 92.787 | 0.66 | 10.25 | 27.13 | 0.00 | 38.04 | 43.50 | -5.46 | QP |
| 4 | 146.888 | 0.90 | 8.36 | 30.98 | 0.00 | 40.24 | 43.50 | -3.26 | QP |
| 5 | 213.763 | 1.10 | 11.88 | 26.89 | 0.00 | 39.87 | 43.50 | -3.63 | QP |
| 6 | 216.783 | 1.10 | 11.98 | 26.72 | 0.00 | 39.80 | 46.00 | -6.20 | QP |



| | | | |
|---------------|--------------|--------------------|------------|
| Temperature: | 26°C | Relative Humidity: | 54% |
| Pressure: | 101kPa | Polarization: | Horizontal |
| Test Voltage: | AC 120V/60Hz | | |



| No. | Freq MHz | Cable Loss dB | ANT Factor dB/m | Receiver Reading dBμV | Preamp Gain dB | Emission Level dBμV/m | Limit dBμV/m | Over Limit dB | Remark |
|-----|----------|---------------|-----------------|-----------------------|----------------|-----------------------|--------------|---------------|--------|
| 1 | 94.098 | 0.67 | 10.41 | 22.60 | 0.00 | 33.68 | 43.50 | -9.82 | QP |
| 2 | 145.351 | 0.89 | 8.39 | 23.97 | 0.00 | 33.25 | 43.50 | -10.25 | QP |
| 3 | 216.024 | 1.10 | 11.95 | 27.31 | 0.00 | 40.36 | 46.00 | -5.64 | QP |
| 4 | 238.310 | 1.15 | 12.65 | 26.43 | 0.00 | 40.23 | 46.00 | -5.77 | QP |
| 5 | 273.234 | 1.23 | 13.63 | 23.82 | 0.00 | 38.68 | 46.00 | -7.32 | QP |
| 6 | 438.655 | 1.48 | 16.38 | 18.62 | 0.00 | 36.48 | 46.00 | -9.52 | QP |

Remarks:

1. Final Level = Receiver Read level + Antenna Factor + Cable Loss – Pre-amplifier Factor
2. The emission levels of other frequencies are very lower than the limit and not show in test report.



6. BANDWIDTH TEST

1. Set RBW = 100 Hz.
2. Set the video bandwidth (VBW) $\geq 3 \times$ RBW.
3. Detector = Peak.
4. Trace mode = max hold.
5. Sweep = auto couple.
6. Allow the trace to stabilize.
7. Measure the maximum width of the emission that is constrained by the frequencies associated with the two outermost amplitude points (upper and lower frequencies) that are attenuated by 20 dB relative to the maximum level measured in the fundamental emission.

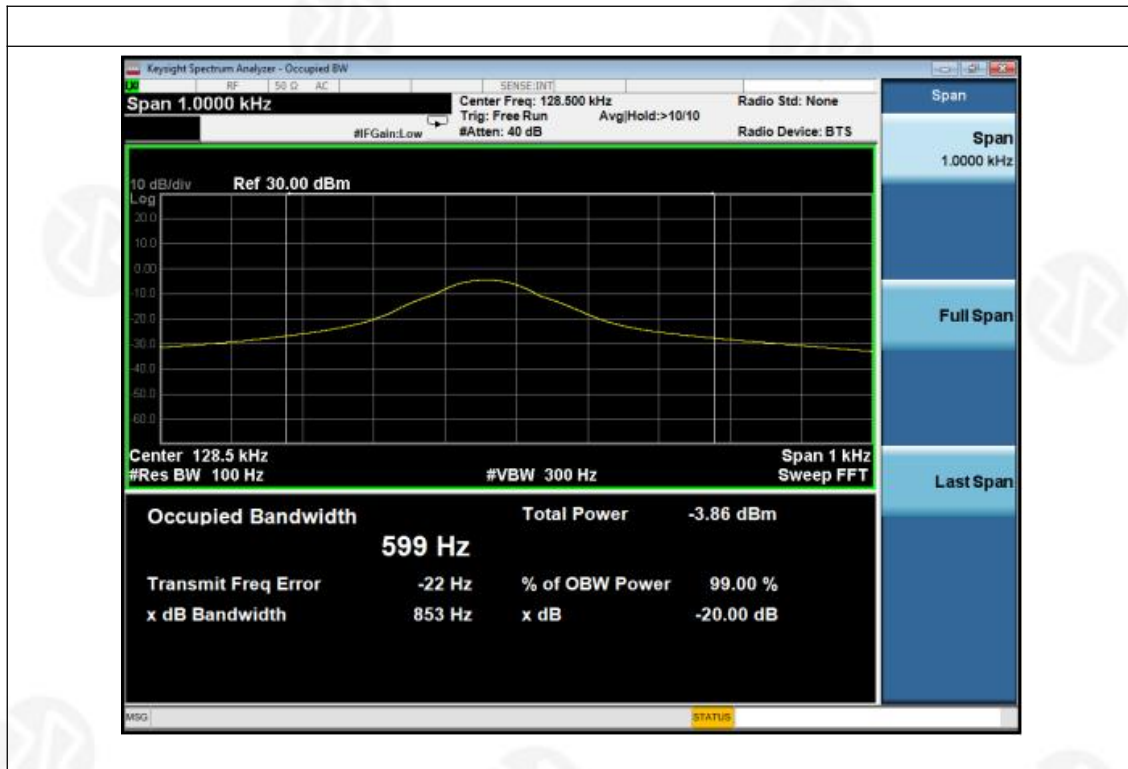
TEST SETUP





| | | | |
|--------------|--------|--------------------|-----|
| Temperature: | 26 °C | Relative Humidity: | 54% |
| Pressure: | 101kPa | | |

| Frequency (KHz) | 20dB bandwidth (Hz) | 99% bandwidth (Hz) | Result |
|-----------------|---------------------|--------------------|--------|
| 128.5 | 853 | 599 | Pass |





7. TEST SETUP PHOTO

Reference to the appendix I for details.

8. EUT CONSTRUCTIONAL DETAILS

Reference to the appendix II for details.

******* END OF REPORT *******