

说明书尺寸:80 X 90mm

MINISO

PRODUCT MANUAL

使用说明书

WIRELESS BLUETOOTH HEADSET

无线蓝牙耳机

MODEL:M-01

使用產品前請仔細閱讀本使用說明書，並請妥善保管。
PLEASE READ THIS MANUAL CAREFULLY BEFORE USING THE
PRODUCT AND KEEP IT IN A SAFE PLACE.

尊敬的客户

非常感谢您使用“MINISO-M-01”蓝牙耳机，使用前请仔细阅读本说明书，正确操作使用，更好发挥产品优越性能。MINISO蓝牙耳机外观设计时尚绚丽，小巧便携，音质纯美，多功能一体化设计，全系列拥有外观设计专利，系统上采用行业领先电声技术，使您在居家使用，户外旅行，商务工作中随时随地享受卓越效果，为您的笔记本电脑，数码音乐播放器等视听产品提供超值完美音质体验，带您聆听美妙音乐，感受健康快乐生活！

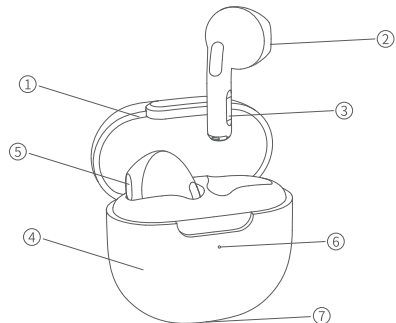
注意事项

- 1.请合理控制使用耳机的音量和时间，以免损伤听力；
- 2.请勿在潜在危险环境中使用耳机，以确保安全；
- 3.尽量避免在驾驶途中使用耳机聆听音乐、拨打或接听电话，以免分散注意力造成危险；
- 4.请将耳机置于儿童无法接触的地方，避免儿童使用不当造成危险；
- 5.避免将耳机存储或使用于温度低于-20°或高于45°C的环境，否则会缩短耳机和电池寿命；
- 6.请勿自行拆开、修理和改造本产品；
- 7.本产品电池不可更换。请按照当地法规处置或交由专业机构回收，请勿随意丢弃，请勿投入火中；
- 8.耳机长时间不使用时，请每隔3个月给耳机充电一次，以延长耳机电池使用寿命；
- 9.禁止将电池暴露在如日照、火烧等高温环境下；
- 10.充电器输出电压和电流不大于5V/1A，如因充电器的输出电压和电流超过限定值，可能会对本产品造成严重损害，产品保修将同时失效。
- 11.请正确处置废弃电子产品，不可将电子电气设备、部件、电池与其它生活垃圾一起丢弃；
- 12.请在安全的环境下充电，在给充电仓充电时，电量充满后请尽快将充电线拔出，避免长时间充电对电池造成损坏。

产品参数

蓝牙版本:V5.3
蓝牙配对名:MINISO-M-01
充电时间:0.5h
音乐时间:4.5h
充电接口:Type-C
蓝牙频率:2.4GHz
额定输入:5V=1A
传输距离:10m
耳机电池容量:25mAh
充电仓电池容量:200mAh

产品示意图



- 1.上盖
- 2.右耳机
- 3.功能触摸区
- 4.充电仓
- 5.左耳机
- 6.充电仓LED灯
- 7.Type-C充电口

触摸功能操作介绍

功能	充电盒操作
开机	把耳机取出充电盒
关机	把耳机放入充电盒
配对模式	与手机自动配对
	耳机操作
播放/暂停	单击多功能触摸键
下一曲	右耳三触摸
上一曲	左耳三触摸
应答/挂断电话	在来电时，单击TOUCH接听/通话过程中单击TOUCH挂断
音量加	右耳长触摸
音量减	左耳长触摸
启用Siri	任意耳机双触摸
电源指示灯	充电仓充电状态下橙灯闪烁、充满电橙灯常亮、耳机充电状态下充电仓绿灯常亮、耳机充满电充电仓绿灯灭、未充电状态及配对状态下不亮灯。

功能操作介绍

开机/关机

自动开机:当您打开充电仓取出耳机时，耳机会自动开机。
自动关机:当您把耳机放入并合上充电仓时，耳机会自动关机。
自动关机:主机三分钟内没连接设备，三分钟后自动关机
注:耳机不能手动强制关机

音乐

音乐播放时主副机均可进行如下操作:
音乐暂停/播放:播放时。单击多功能触摸键。
上一曲:左耳三触摸
下一曲:右耳三触摸

首次使用时

- 1.请将耳机和手机的距离控制在1米范围内。
- 2.打开充电仓取出耳机，耳机会自动开机，并进入配对状态，左右耳会自动进行配对。
- 3.打开手机蓝牙功能，点击搜索设备，当手机找到设备“MINISO-M-01”后，直接点击连接。
- 4.如果配对失败，请重复上述操作。
- 5.如果配对成功后，后续手机与本耳机使用时，在手机蓝牙功能开启状态下，打开充电仓取出耳机，耳机会自动连接，放回底座并盖上充电仓上盖时，耳机则会断开连接。

所有配件

产品 x 1;说明书 x 1;Type-C充电线 x 1

故障排除

1.蓝牙耳机不能与手机配对

答:请检查耳机是否处于配对或回连模式，以及检查手机蓝牙搜索功能是否已打开;并检查设备上的蓝牙菜单并删除/取消耳机，按说明书将耳机重新连接。

2.蓝牙耳机启动不了

答:请检查耳机的电量。

3.蓝牙耳机能否更换电池

答:不可以，本耳机使用不可拆式聚合物锂电池。

4.蓝牙耳机与手机在10米断开连接

答:由于蓝牙是一种无线技术，因此对耳机与已连接设备间的物体很敏感，请检查在连接范围内是否有金属或其他影响连接对象。

5.耳机连接计算机后，耳机听不到声音

答:请检查计算机输出声道是否已设为蓝牙音频装置以及计算机的蓝牙是否支持A2DP协议，并检查计算机/手机的音量

6.蓝牙耳机与手机连接后，可以用耳机控制手机上的应用程序吗?

答:设备应用程序的软件设定或有不用，个别应用程序的功能不支持由耳机控制。

有害物质表

部件名称	有害物质					
	铅(Pb)	汞(Hg)	镉(Cd)	六价铬(Cr6+)	多溴联苯(PBB)	多溴二苯醚(PBDE)
外壳组件	0	0	0	0	0	0
内部电路板	×	0	0	0	0	0
电池	×	0	0	0	0	0
喇叭	0	0	0	0	0	0
耳帽	0	0	0	0	0	0

本表格依据SJ/T 11364的规定编制。
○:表示该有害物质在该部件所有均质材料中的含量均在GB/T 26572规定的限量要求以下
×:表示该有害物质至少在该部件的某一均质材料中的含量超出GB/T 26572规定的限量要求
5:本产品的“环保使用期限”为5年，如右图所示。
本产品所有环保使用期限是指在本信息指规定的使用条件下使用本产品不发生有毒有害物质泄漏的安全年限

Dear Customer

Thank you very much for using the "MINISO-M-01" bluetooth headset. Please read this manual carefully before use, operate it correctly, and give full play to the superior performance of the product. MINISO bluetooth earphones are stylish and beautiful in appearance, compact and portable, with pure sound quality and multi-function integrated design. Enjoy the excellent effect, provide the perfect sound quality experience for your notebook computer, digital music player and other audio-visual products, take you to listen to wonderful music, and feel a healthy and happy life!

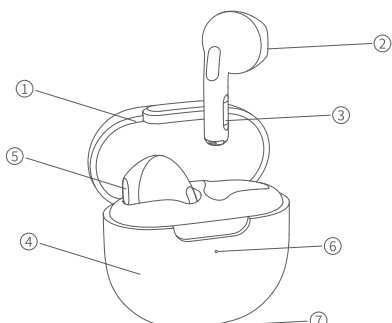
Caution

1. Please reasonably control the volume and time of using headphones to avoid damage to hearing;
2. Do not use the headset in a potentially dangerous environment to ensure safety;
3. Try to avoid using headphones to listen to music, make or answer calls while driving, so as not to cause danger due to distraction;
4. Please keep the earphones out of the reach of children to avoid dangers caused by improper use by children;
5. Avoid storing or using the headset in an environment where the temperature is lower than -20° or higher than 45°C, otherwise it will shorten the life of the headset and battery;
6. Do not disassemble, repair and modify this product by yourself;
7. The battery of this product cannot be replaced. Please dispose of it in accordance with local regulations or hand it over to a professional organization for recycling, do not discard it at will, and do not throw it into fire;
8. When the headset is not used for a long time, please charge the headset every 3 months to prolong the battery life of the headset;
9. It is forbidden to expose the battery to high temperature environment such as sunshine and fire;
10. The output voltage and current of the charger is not more than 5V/1A. If the output voltage and current of the charger exceed the limit value, it may cause serious damage to the product, and the product will be damaged. The product warranty will be void at the same time.
11. Please dispose of waste electronic products correctly, and do not throw away electrical and electronic equipment, components, batteries and other household waste together;
12. Please charge in a safe environment. When charging the charging compartment, please unplug the charging cable as soon as possible after the battery is fully charged to avoid damage to the battery caused by long-term charging.

Parameters

Bluetooth version: V5.3
Bluetooth pairing name: MINISO-M-01
Charging socket: Type-C
Bluetooth frequency: 2.4GHz
Charging time: 0.5h
Music time: 4.5h
Transmission distance: 10m
Headphone battery capacity: 25mAh
Charging compartment battery capacity: 200mAh
Rated input: 5V=1A

Illustration



- 1.cover
- 2.right earphone
- 3.Functional touch area
- 4.charging case
- 5.left earphone
- 6.Charging compartment LED light
- 7.Type-C charging port

Functions & Operation

Function	Charging case operation
boot	Take the earphones out of the charging case
shutdown	Put the earphones in the charging case
pairing mode	Automatically pair with phone
	Headphone Operation
play / Pause	Click the multi-function touch key
next track	Right ear triple touch
previous piece	Left ear triple touch
Answer/hang up call	Click touch to answer/Click touch to hang up
volume up	right ear touch
volume down	Left ear long touch
Enable Siri	Any headset double touch
Power Indicator	The orange light flashes when the charging compartment is charging, the orange light is always on when fully charged, and the green light is steady on when the charging compartment is charging. The green light of the charging compartment of the headset is fully charged, and the light is not on when the headset is not charged or paired.

Functions & Operation

POWER ON/OFF

Auto power on: When you open the charging compartment and take out the headset, the headset will automatically power on.
Auto Power Off: When you put the headset in and close the charging compartment, the headset will automatically power off.
Automatic shutdown: If the host is not connected to the device within three minutes, it will automatically shut down after three minutes
Note: The headset cannot be manually forced to shut down

MUSIC

When the music is playing, the main and sub-machine can perform the following operations:
Music Pause/Play: While playing. Click the multi-function touch key.
Previous song: Left ear triple touch
Next song: Three touches on the right ear

For Initial Use

1. Please keep the distance between the headset and the phone within 1 meter.
2. Open the charging compartment and take out the earphones, the earphones will automatically turn on and enter the pairing state, and the left and right ears will be paired automatically.
3. Turn on the Bluetooth function of the mobile phone, click to search for devices, when the mobile phone finds the device "MINISO-M-01", directly click to connect.
4. If pairing fails, repeat the above operation.
5. If the pairing is successful, when the mobile phone is used with the headset, open the charging compartment and take out the headset when the Bluetooth function of the mobile phone is turned on, the headset will automatically connect, put it back on the base and close the top cover of the charging compartment, the headset will be disconnected, open the connection.

Accessories

Product x 1;Manual x 1; Type-C charging cable x 1

Troubleshooting

1. The Bluetooth headset cannot be paired with the phone

A: Please check whether the headset is in pairing or reconnecting mode, and check whether the Bluetooth search function of the mobile phone is turned on; and check the Bluetooth menu on the device and delete/cancel the headset, and reconnect the headset according to the instructions.

2. The bluetooth headset cannot be activated

A: Please check the power of the headset.

3. Can the battery of the Bluetooth headset be replaced?

A: No, this headset uses a non-removable lithium polymer battery.

4. The bluetooth headset is disconnected from the mobile phone within 10 meters

A: Since Bluetooth is a wireless technology, it is very sensitive to objects between the headset and the connected device, please check if there is any metal or other objects that affect the connection within the connection range.

5. After the headset is connected to the computer, no sound can be heard from the headset

A: Please check whether the output channel of the computer is set as a Bluetooth audio device and whether the Bluetooth of the computer supports the A2DP protocol, and check the volume of the computer/mobile phone

6. After the Bluetooth headset is connected to the mobile phone, can I use the headset to control the applications on the mobile phone?

A: The software settings of the device application may not be used, and the functions of individual applications do not support the control of the headset.

Names and Contents of Toxic or Hazardous Substances or Elements

Part Name	Toxic or Hazardous Substances					
	Lead(Pb)	Mercury (Hg)	Cadmium (Cd)	Hazardous Chromium (Cr6+)	Polybrominated biphenyls (PBB)	Polybrominated diphenylether (PBDE)
Shell	0	0	0	0	0	0
Internal Circuit Board	×	0	0	0	0	0
Battery	×	0	0	0	0	0
Speaker	0	0	0	0	0	0
Ear Tips	0	0	0	0	0	0

This table is prepared in accordance with the provisions of SJ/T 11364.
○: Indicates that this toxic or hazardous substance contained in all of the homogeneous materials for this part is below the limit requirement of GB/T 26572.
×: Indicates that this toxic or hazardous substance contained in at least one of the homogeneous materials used for this part is above the limit requirement of GB/T 26572.
5: This symbol means the electronic product contains some hazardous substances, it is safe to use under the time limit for the usage, proper disposal and recycling are suggested when exceeded the time limit for the usage.

FCC Warning

This device complies with Part 15 of the FCC Rules. Operation is subject to the following two conditions

- (1) this device may not cause harmful interference, and
- (2) this device must accept any interference received, including interference that may cause undesired operation. Changes or modifications not expressly approved by the party responsible for compliance could void the user's authority to operate the equipment.

Note 1: This equipment has been tested and found to comply with the limits for a Class B digital device, pursuant to part 15 of the FCC Rules. These limits are designed to provide reasonable protection against harmful interference in a residential installation. This equipment generates, uses and can radiate radio frequency energy and, if not installed and used in accordance with the instructions, may cause harmful interference to radio communications. However, there is no guarantee that interference will not occur in a particular installation. If this equipment does cause harmful interference to radio or television reception, which can be determined by turning the equipment off and on, the user is encouraged to try to correct the interference by one or more of the following measures:

- Reorient or relocate the receiving antenna.
- Increase the separation between the equipment and receiver.
- Connect the equipment into an outlet on a circuit different from that to which the receiver is connected.
- Consult the dealer or an experienced radio/TV technician for help.

Note 2: 1.Changes or modifications to this unit not expressly approved by the party responsible for compliance could void the user's authority to operate the equipment.

2. The device has been evaluated to meet general RF exposure requirement. The device can be used in portable exposure condition without restriction.