

TEST REPORT

Product Name	: True wireless Bluetooth
Brand Mark	: Lenovo, thinkplus
Model No.	: LP40
Extension Model	: Lenovo K3; K3 plus; Lenovo M1; TH10; Lenovo GM2; Lenovo GM3; Lenovo GM5; Lenovo GM6; LP1 pro; Lenovo LP1S; thinkplus LP2; LP3 pro; Lenovo LP5; Lenovo LP6; Lenovo LP7; LP11; LP12; TH20; TH30; LP3; LP8; Lenovo LP50; LP40 pro; LP60; LP70; Lenovo LP80; PD1X; Lenovo SH1; HE05X; thinkplus X3; thinkplus X4; Lenovo X5; Lenovo BH1; Lenovo BH2; BH3; BH4
FCC ID	: 2A8SE-22090001
Report Number	: BLA-EMC-202209-A4902
Date of Sample Receipt	: 2022/9/22
Date of Test	: 2022/9/22 to 2022/9/27
Date of Issue	: 2022/9/27
Test Standard	: 47 CFR Part 15, Subpart C 15.247
Test Result	: Pass

Prepared for:

Lenovo (Beijing) Co. LTD

Building 2, Building 2, No.6, Xindi West Road, Haidong District, Beijing

Prepared by:

BlueAsia of Technical Services(Shenzhen) Co.,Ltd.

**Building C, No. 107, Shihuan Road, Shiyuan Sub-District, Baoan District,
Shenzhen, Guangdong Province, China**

TEL: +86-755-23059481



Compiled by:

Charlie

Review by:

Sueels

Approved by:

Bluezhong

Date:

2022/9/27



BlueAsia

REPORT REVISE RECORD

Version No.	Date	Description
00	2022/9/27	Original

BlueAsia

TABLE OF CONTENTS

1	TEST SUMMARY	6
2	GENERAL INFORMATION	7
3	GENERAL DESCRIPTION OF E.U.T.	7
4	TEST ENVIRONMENT	8
5	TEST MODE	8
6	MEASUREMENT UNCERTAINTY	8
7	DESCRIPTION OF SUPPORT UNIT	9
8	LABORATORY LOCATION	9
9	TEST INSTRUMENTS LIST	10
10	ANTENNA REQUIREMENT	14
10.1	CONCLUSION	14
11	CONDUCTED SPURIOUS EMISSIONS	15
11.1	LIMITS	15
11.2	BLOCK DIAGRAM OF TEST SETUP	15
11.3	TEST DATA	16
12	DWELL TIME	17
12.1	LIMITS	17
12.2	BLOCK DIAGRAM OF TEST SETUP	17
12.3	TEST DATA	18
13	HOPPING CHANNEL NUMBER	19
13.1	LIMITS	19
13.2	BLOCK DIAGRAM OF TEST SETUP	19
13.3	TEST DATA	19
14	CARRIER FREQUENCIES SEPARATION	20
14.1	LIMITS	20
14.2	BLOCK DIAGRAM OF TEST SETUP	20
14.3	TEST DATA	20
15	20DB BANDWIDTH	21
15.1	BLOCK DIAGRAM OF TEST SETUP	21

15.2	TEST DATA	21
16	CONDUCTED PEAK OUTPUT POWER	22
16.1	LIMITS	22
16.2	BLOCK DIAGRAM OF TEST SETUP	22
16.3	TEST DATA	23
17	CONDUCTED EMISSIONS AT AC POWER LINE (150KHZ-30MHZ)	24
17.1	LIMITS	24
17.2	BLOCK DIAGRAM OF TEST SETUP	24
17.3	PROCEDURE	24
17.4	TEST DATA	26
18	RADIATED SPURIOUS EMISSIONS	28
18.1	LIMITS	28
18.2	BLOCK DIAGRAM OF TEST SETUP	29
18.3	PROCEDURE	29
18.4	TEST DATA	31
19	RADIATED EMISSIONS WHICH FALL IN THE RESTRICTED BANDS	39
19.1	LIMITS	39
19.2	BLOCK DIAGRAM OF TEST SETUP	40
19.3	PROCEDURE	40
19.4	TEST DATA	42
20	CONDUCTED BAND EDGES MEASUREMENT	46
20.1	LIMITS	46
20.2	BLOCK DIAGRAM OF TEST SETUP	46
20.3	TEST DATA	47
21	APPENDIX	48
	APPENDIX A: PHOTOGRAPHS OF TEST SETUP	97

1 TEST SUMMARY

Test item	Test Requirement	Test Method	Class/Severity	Result
Antenna Requirement	47 CFR Part 15, Subpart C 15.247	N/A	47 CFR Part 15, Subpart C 15.203 & 15.247(c)	Pass
Conducted Spurious Emissions	47 CFR Part 15, Subpart C 15.247	ANSI C63.10 (2013) Section 7.8.6 & Section 11.11	47 CFR Part 15, Subpart C 15.247(d)	Pass
Dwell Time	47 CFR Part 15, Subpart C 15.247	ANSI C63.10 (2013) Section 7.8.4	47 CFR Part 15, Subpart C 15.247a(1)(iii)	Pass
Hopping Channel Number	47 CFR Part 15, Subpart C 15.247	ANSI C63.10 (2013) Section 7.8.3	47 CFR Part 15, Subpart C 15.247a(1)(iii)	Pass
Carrier Frequencies Separation	47 CFR Part 15, Subpart C 15.247	ANSI C63.10 (2013) Section 7.8.2	47 CFR Part 15, Subpart C 15.247a(1)	Pass
20dB Bandwidth	47 CFR Part 15, Subpart C 15.247	ANSI C63.10 (2013) Section 7.8.7	47 CFR Part 15, Subpart C 15.247(a)(1)	Pass
Conducted Peak Output Power	47 CFR Part 15, Subpart C 15.247	ANSI C63.10 (2013) Section 7.8.5	47 CFR Part 15, Subpart C 15.247(b)(3)	Pass
Conducted Emissions at AC Power Line (150kHz-30MHz)	47 CFR Part 15, Subpart C 15.247	ANSI C63.10 (2013) Section 6.2	47 CFR Part 15, Subpart C 15.207	Pass
Radiated Spurious Emissions	47 CFR Part 15, Subpart C 15.247	ANSI C63.10 (2013) Section 6.4,6.5,6.6	47 CFR Part 15, Subpart C 15.209 & 15.247(d)	Pass
Radiated Emissions which fall in the restricted bands	47 CFR Part 15, Subpart C 15.247	ANSI C63.10 (2013) Section 6.10.5	47 CFR Part 15, Subpart C 15.209 & 15.247(d)	Pass
Conducted Band Edges Measurement	47 CFR Part 15, Subpart C 15.247	ANSI C63.10 (2013) Section 7.8.8 & Section 11.13.3.2	47 CFR Part 15, Subpart C 15.247(d)	Pass

2 GENERAL INFORMATION

Applicant	Lenovo (Beijing) Co. LTD
Address	Building 2, Building 2, No.6, Xindi West Road, Haidong District, Beijing
Manufacturer	Lenovo (Beijing) Co. LTD
Address	201-H2-6, 2nd Floor, Building 2, No. 6 Shangdi West Road, Haiding District, Beijing
Factory	Lenovo (Beijing) Co. LTD
Address	201-H2-6, 2nd Floor, Building 2, No. 6 Shangdi West Road, Haiding District, Beijing
Product Name	True wireless Bluetooth
Test Model No.	LP40
Extension Model	Lenovo K3; K3 plus; Lenovo M1; TH10; Lenovo GM2; Lenovo GM3; Lenovo GM5; Lenovo GM6; LP1 pro; Lenovo LP1S; thinkplus LP2; LP3 pro; Lenovo LP5; Lenovo LP6; Lenovo LP7; LP11; LP12; TH20; TH30; LP3; LP8; Lenovo LP50; LP40 pro; LP60; LP70; Lenovo LP80; PD1X; Lenovo SH1; HE05X; thinkplus X3; thinkplus X4; Lenovo X5; Lenovo BH1; Lenovo BH2; BH3; BH4
Remark	All above models are identical in the same PCB layout, interior structure and electrical circuits. The differences are model name for commercial purpose.

3 GENERAL DESCRIPTION OF E.U.T.

Hardware Version	XRX-V23-1
Software Version	XRX-SDK-V04
Operation Frequency:	2402MHz-2480MHz
Modulation Type:	GFSK, pi/4DQPSK, 8DPSK
Channel Spacing:	1MHz
Number of Channels:	79
Antenna Type:	Chip Antenna
Antenna Gain:	3dBi

4 TEST ENVIRONMENT

Environment	Temperature	Voltage
Normal	25°C	3.7Vdc

5 TEST MODE

TEST MODE	TEST MODE DESCRIPTION
TX	Keep the EUT in continuously transmitting mode with modulation. (hopping and non hopping mode all have been tested, non hopping mode is worse case for RE)
Remark: Full battery is used during all test except ac conducted emission, DH1, DH3, DH5 all have been tested, during the test, GFSK, Pi/4QPSK, 8DPSK modulation were all pre-scanned Only the 8DPSK of the worst mode would be recorded in this report.	

6 MEASUREMENT UNCERTAINTY

Parameter	Expanded Uncertainty (Confidence of 95%)
Radiated Emission(9kHz-30MHz)	±4.34dB
Radiated Emission(30Mz-1000MHz)	±4.24dB
Radiated Emission(1GHz-18GHz)	±4.68dB
AC Power Line Conducted Emission(150kHz-30MHz)	±3.45dB

7 DESCRIPTION OF SUPPORT UNIT

Device Type	Manufacturer	Model Name	Serial No.	Remark
AC Adapter	UGREEN	CD112	N/A	N/A

8 LABORATORY LOCATION

All tests were performed at:
BlueAsia of Technical Services(Shenzhen) Co., Ltd.
Building C, No. 107, Shihuan Road, Shiyuan Sub-District, Baoan District, Shenzhen, Guangdong Province,
China
Telephone: TEL: +86-755-28682673 FAX: +86-755-28682673
No tests were sub-contracted.

9 TEST INSTRUMENTS LIST

Test Equipment Of Conducted Spurious Emissions					
Equipment	Manufacturer	Model	S/N	Cal.Date	Cal.Due
Spectrum	R&S	FSP40	100817	24/9/2022	23/9/2022
Spectrum	Agilent	N9020A	MY49100060	24/9/2022	23/9/2023
Signal Generator	Agilent	N5182A	MY49060650	24/9/2022	23/9/2023
Signal Generator	Agilent	E8257D	MY44320250	24/9/2022	23/9/2023

Test Equipment Of Dwell Time					
Equipment	Manufacturer	Model	S/N	Cal.Date	Cal.Due
Spectrum	R&S	FSP40	100817	24/9/2022	23/9/2023
Spectrum	Agilent	N9020A	MY49100060	24/9/2022	23/9/2023
Signal Generator	Agilent	N5182A	MY49060650	24/9/2022	23/9/2023
Signal Generator	Agilent	E8257D	MY44320250	24/9/2022	23/9/2023

Test Equipment Of Hopping Channel Number					
Equipment	Manufacturer	Model	S/N	Cal.Date	Cal.Due
Spectrum	R&S	FSP40	100817	24/9/2022	23/9/2023
Spectrum	Agilent	N9020A	MY49100060	24/9/2022	23/9/2023
Signal Generator	Agilent	N5182A	MY49060650	24/9/2022	23/9/2023
Signal Generator	Agilent	E8257D	MY44320250	24/9/2022	23/9/2023

Test Equipment Of Carrier Frequencies Separation					
Equipment	Manufacturer	Model	S/N	Cal.Date	Cal.Due

Spectrum	R&S	FSP40	100817	24/9/2022	23/9/2023
Spectrum	Agilent	N9020A	MY49100060	24/9/2022	23/9/2023
Signal Generator	Agilent	N5182A	MY49060650	24/9/2022	23/9/2023
Signal Generator	Agilent	E8257D	MY44320250	24/9/2022	23/9/2023

Test Equipment Of 20dB Bandwidth

Equipment	Manufacturer	Model	S/N	Cal.Date	Cal.Due
Spectrum	R&S	FSP40	100817	24/9/2022	23/9/2023
Spectrum	Agilent	N9020A	MY49100060	24/9/2022	23/9/2023
Signal Generator	Agilent	N5182A	MY49060650	24/9/2022	23/9/2023
Signal Generator	Agilent	E8257D	MY44320250	24/9/2022	23/9/2023

Test Equipment Of Conducted Peak Output Power

Equipment	Manufacturer	Model	S/N	Cal.Date	Cal.Due
Spectrum	R&S	FSP40	100817	24/9/2022	23/9/2023
Spectrum	Agilent	N9020A	MY49100060	24/9/2022	23/9/2023
Signal Generator	Agilent	N5182A	MY49060650	24/9/2022	23/9/2023
Signal Generator	Agilent	E8257D	MY44320250	24/9/2022	23/9/2023

Test Equipment Of Conducted Emissions at AC Power Line (150kHz-30MHz)

Equipment	Manufacturer	Model	S/N	Cal.Date	Cal.Due
Shield room	SKET	833	N/A	25/11/2020	24/11/2023
Receiver	R&S	ESPI3	101082	24/9/2022	23/9/2023

LISN	R&S	ENV216	3560.6550.15	24/9/2022	23/9/2023
LISN	AT	AT166-2	AKK1806000003	26/9/2022	25/9/2023
EMI software	EZ	EZ-EMC	N/A	N/A	N/A

Test Equipment Of Radiated Spurious Emissions

Equipment	Manufacturer	Model	S/N	Cal.Date	Cal.Due
Chamber	SKET	966	N/A	10/11/2020	9/11/2023
Spectrum	R&S	FSP40	100817	24/9/2022	23/9/2023
Receiver	R&S	ESR7	101199	24/9/2022	23/9/2023
broadband Antenna	Schwarzbeck	VULB9168	00836 P:00227	26/9/2022	25/9/2023
Horn Antenna	Schwarzbeck	9120D	01892 P:00331	26/9/2022	25/9/2023
Amplifier	SKET	LNPA-0118-45	N/A	24/9/2022	23/9/2023
EMI software	EZ	EZ-EMC	N/A	N/A	N/A
Loop antenna	SCHNARZBECK	FMZB1519B	00102	26/9/2022	25/9/2023

Test Equipment Of Radiated Emissions which fall in the restricted bands

Equipment	Manufacturer	Model	S/N	Cal.Date	Cal.Due
Chamber	SKET	966	N/A	10/11/2020	9/11/2023
Spectrum	R&S	FSP40	100817	24/9/2022	23/9/2023
Receiver	R&S	ESR7	101199	24/9/2022	23/9/2023
broadband Antenna	Schwarzbeck	VULB9168	00836 P:00227	26/9/2022	25/9/2023
Horn Antenna	Schwarzbeck	9120D	01892 P:00331	26/9/2022	25/9/2023

Amplifier	SKET	LNPA-0118-45	N/A	24/9/2022	23/9/2023
EMI software	EZ	EZ-EMC	N/A	N/A	N/A
Loop antenna	SCHNARZBECK	FMZB1519B	00102	26/9/2022	25/9/2023

Test Equipment Of Conducted Band Edges Measurement

Equipment	Manufacturer	Model	S/N	Cal.Date	Cal.Due
Spectrum	R&S	FSP40	100817	24/9/2022	23/9/2023
Spectrum	Agilent	N9020A	MY49100060	24/9/2022	23/9/2023
Signal Generator	Agilent	N5182A	MY49060650	24/9/2022	23/9/2023
Signal Generator	Agilent	E8257D	MY44320250	24/9/2022	23/9/2023

10 ANTENNA REQUIREMENT

Test Standard	47 CFR Part 15, Subpart C 15.247
Test Method	N/A

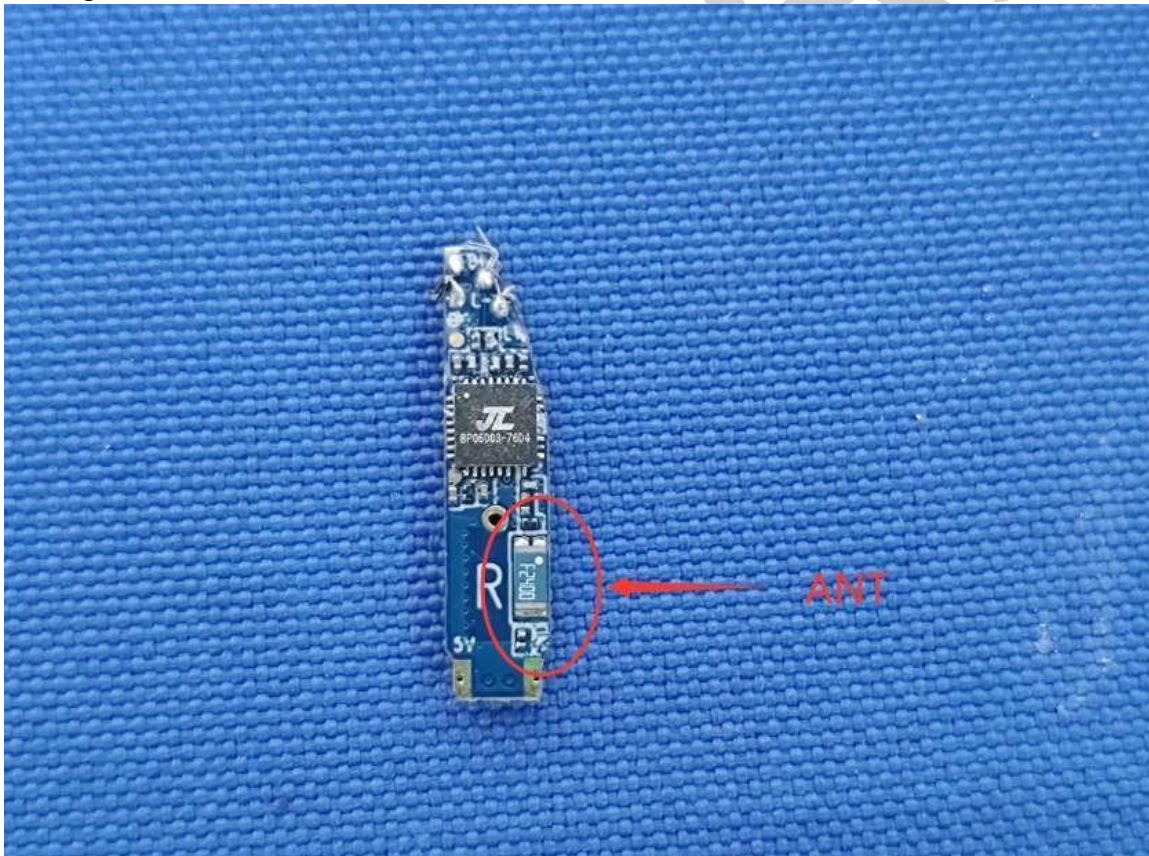
10.1 CONCLUSION

Standard Requirement:

An intentional radiator shall be designed to ensure that no antenna other than that furnished by the responsible party shall be used with the device. The use of an antenna that uses a unique coupling to the intentional radiator, the manufacturer may design the unit permanently attached antenna or of an so that a broken antenna can be replaced by the user, but the use of a standard antenna jack or electrical connector is prohibited.

EUT Antenna:

The antenna is integrated on the main PCB and no consideration of replacement. The best case gain of the antenna is 3dBi.



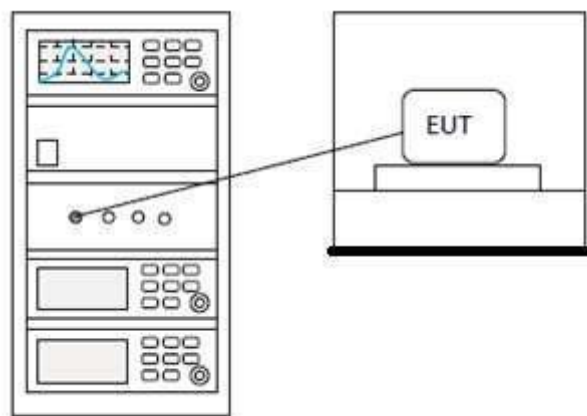
11 CONDUCTED SPURIOUS EMISSIONS

Test Standard	47 CFR Part 15, Subpart C 15.247
Test Method	ANSI C63.10 (2013) Section 7.8.6 & Section 11.11
Test Mode (Pre-Scan)	TX
Test Mode (Final Test)	TX
Tester	Charlie
Temperature	24°C
Humidity	52%

11.1 LIMITS

Limit:	In any 100 kHz bandwidth outside the frequency band in which the spread spectrum or digitally modulated intentional radiator is operating, the radio frequency power that is produced by the intentional radiator shall be at least 20 dB below that in the 100 kHz bandwidth within the band that contains the highest level of the desired power, based on either an RF conducted or a radiated measurement, provided the transmitter demonstrates compliance with the peak conducted power limits. If the transmitter complies with the conducted power limits based on the use of RMS averaging over a time interval, as permitted under paragraph (b)(3) of this section, the attenuation required under this paragraph shall be 30 dB instead of 20 dB. Attenuation below the general limits specified in §15.209(a) is not required. In addition, radiated emissions which fall in the restricted bands, as defined in §15.205(a), must also comply with the radiated emission limits specified in §15.209(a) (see §15.205(c)).
---------------	--

11.2 BLOCK DIAGRAM OF TEST SETUP



11.3 TEST DATA

Pass: Please Refer To Appendix: Appendix1 For Details

BlueAsia

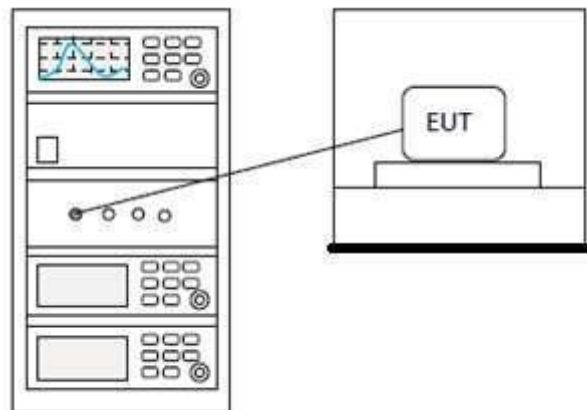
12 DWELL TIME

Test Standard	47 CFR Part 15, Subpart C 15.247
Test Method	ANSI C63.10 (2013) Section 7.8.4
Test Mode (Pre-Scan)	TX
Test Mode (Final Test)	TX
Tester	Charlie
Temperature	24°C
Humidity	52%

12.1 LIMITS

Frequency(MHz)	Limit
902-928	0.4S within a 20S period(20dB bandwidth<250kHz)
	0.4S within a 10S period(20dB bandwidth≥250kHz)
2400-2483.5	0.4S within a period of 0.4S multiplied by the number of hopping channels
5725-5850	0.4S within a 30S period

12.2 BLOCK DIAGRAM OF TEST SETUP



12.3 TEST DATA

Pass: Please Refer To Appendix: Appendix1 For Details

BlueAsia

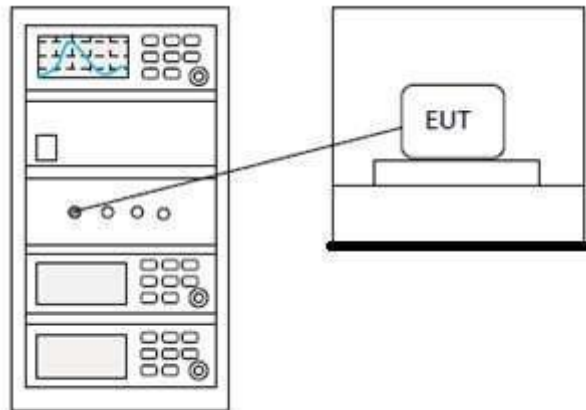
13 HOPPING CHANNEL NUMBER

Test Standard	47 CFR Part 15, Subpart C 15.247
Test Method	ANSI C63.10 (2013) Section 7.8.3
Test Mode (Pre-Scan)	TX
Test Mode (Final Test)	TX
Tester	Charlie
Temperature	24°C
Humidity	52%

13.1 LIMITS

Frequency range(MHz)	Number of hopping channels (minimum)
902-928	50 for 20dB bandwidth <250kHz
	25 for 20dB bandwidth ≥250kHz
2400-2483.5	15
5725-5850	75

13.2 BLOCK DIAGRAM OF TEST SETUP



13.3 TEST DATA

Pass: Please Refer To Appendix: Appendix1 For Details

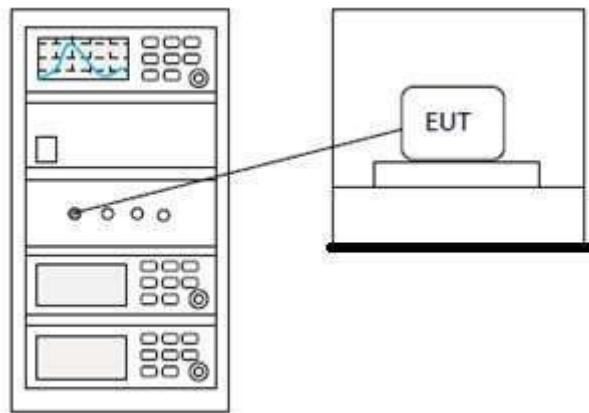
14 CARRIER FREQUENCIES SEPARATION

Test Standard	47 CFR Part 15, Subpart C 15.247
Test Method	ANSI C63.10 (2013) Section 7.8.2
Test Mode (Pre-Scan)	TX
Test Mode (Final Test)	TX
Tester	Charlie
Temperature	24°C
Humidity	52%

14.1 LIMITS

Limit:	2/3 of the 20dB bandwidth base on the transmission power is less than 0.125W
---------------	--

14.2 BLOCK DIAGRAM OF TEST SETUP



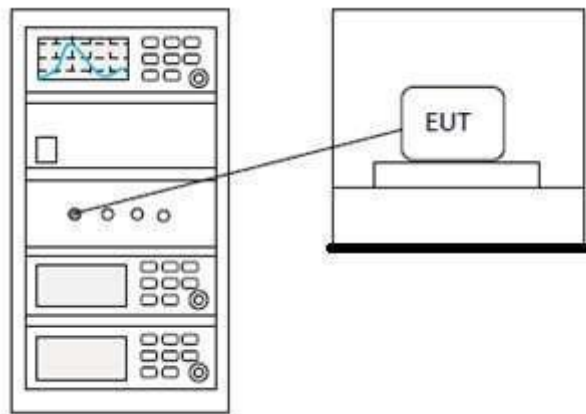
14.3 TEST DATA

Pass: Please Refer To Appendix: Appendix1 For Details
--

15 20DB BANDWIDTH

Test Standard	47 CFR Part 15, Subpart C 15.247
Test Method	ANSI C63.10 (2013) Section 7.8.7
Test Mode (Pre-Scan)	TX
Test Mode (Final Test)	TX
Tester	Charlie
Temperature	24°C
Humidity	52%

15.1 BLOCK DIAGRAM OF TEST SETUP



15.2 TEST DATA

Pass: Please Refer To Appendix: Appendix1 For Details

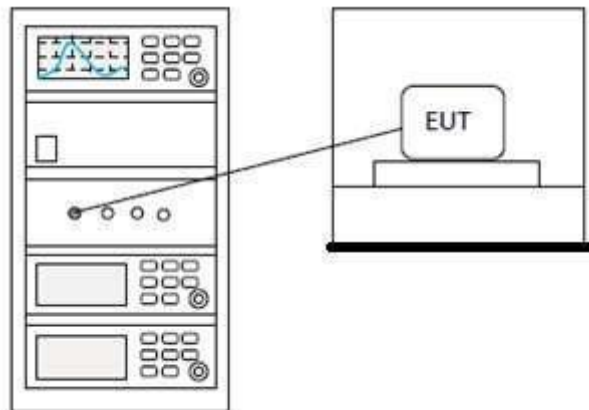
16 CONDUCTED PEAK OUTPUT POWER

Test Standard	47 CFR Part 15, Subpart C 15.247
Test Method	ANSI C63.10 (2013) Section 7.8.5
Test Mode (Pre-Scan)	TX
Test Mode (Final Test)	TX
Tester	Charlie
Temperature	24°C
Humidity	52%

16.1 LIMITS

Frequency range(MHz)	Output power of the intentional radiator(watt)
902-928	1 for ≥ 50 hopping channels
	0.25 for $25 \leq$ hopping channels < 50
	1 for digital modulation
2400-2483.5	1 for ≥ 75 non-overlapping hopping channels
	0.125 for all other frequency hopping systems
	1 for digital modulation
5725-5850	1 for frequency hopping systems and digital modulation

16.2 BLOCK DIAGRAM OF TEST SETUP



16.3 TEST DATA

Pass: Please Refer To Appendix: Appendix1 For Details

BlueAsia

17 CONDUCTED EMISSIONS AT AC POWER LINE (150KHZ-30MHZ)

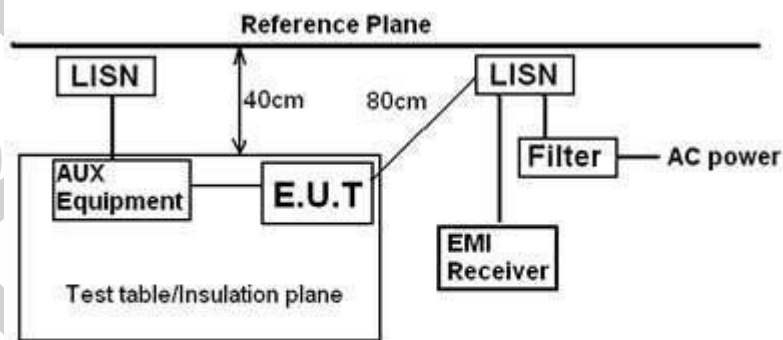
Test Standard	47 CFR Part 15, Subpart C 15.247
Test Method	ANSI C63.10 (2013) Section 6.2
Test Mode (Pre-Scan)	BT mode
Test Mode (Final Test)	TX
Tester	Charlie
Temperature	25°C
Humidity	58%

17.1 LIMITS

Frequency of emission(MHz)	Conducted limit(dBμV)	
	Quasi-peak	Average
0.15-0.5	66 to 56*	56 to 46*
0.5-5	56	46
5-30	60	50

*Decreases with the logarithm of the frequency.

17.2 BLOCK DIAGRAM OF TEST SETUP



Remark:
 E.U.T: Equipment Under Test
 LISN: Line Impedance Stabilization Network
 Test table height=0.8m

17.3 PROCEDURE

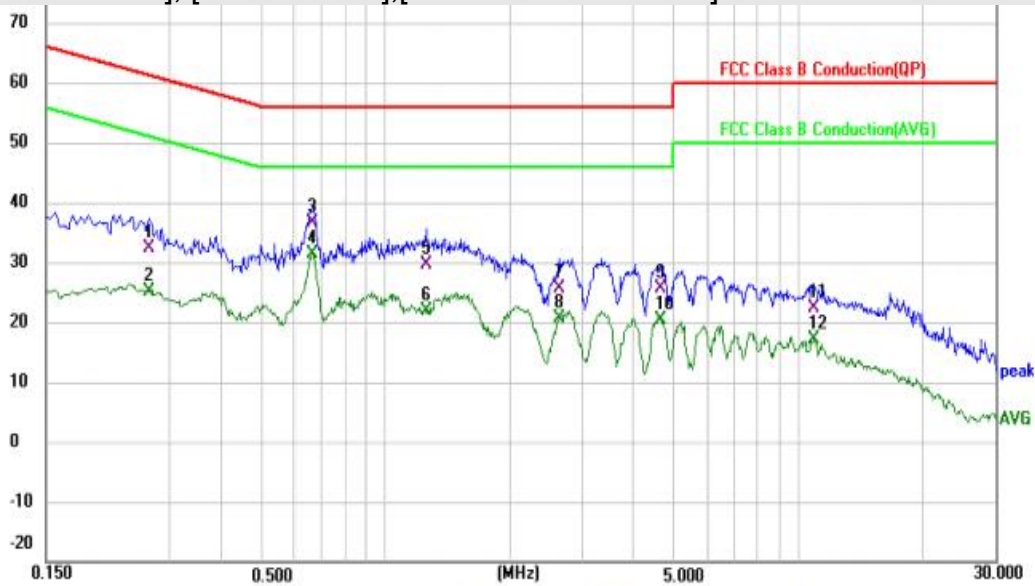
- 1) The mains terminal disturbance voltage test was conducted in a shielded room.
- 2) The EUT was connected to AC power source through a LISN 1 (Line Impedance Stabilization Network) which provides a 50ohm/50H + 5ohm linear impedance. The power cables of all other units of the EUT were connected to a second LISN 2, which was bonded to the ground reference plane in the same way as the LISN 1 for the unit being measured. A multiple socket outlet strip was used to connect multiple power cables to a single LISN provided the rating of the LISN was not exceeded.

- 3) The tabletop EUT was placed upon a non-metallic table 0.8m above the ground reference plane. And for floor-standing arrangement, the EUT was placed on the horizontal ground reference plane,
 - 4) The test was performed with a vertical ground reference plane. The rear of the EUT shall be 0.4 m from the vertical ground reference plane. The vertical ground reference plane was bonded to the horizontal ground reference plane. The LISN 1 was placed 0.8 m from the boundary of the unit under test and bonded to a ground reference plane for LISNs mounted on top of the ground reference plane. This distance was between the closest points of the LISN 1 and the EUT. All other units of the EUT and associated equipment was at least 0.8 m from the LISN 2.
 - 5) In order to find the maximum emission, the relative positions of equipment and all of the interface cables must be changed according to ANSI C63.10 on conducted measurement.
- Remark: LISN=Read Level+ Cable Loss+ LISN Factor

BlueAsia

17.4 TEST DATA

[TestMode: BT mode]; [Line: Neutral];[Power:AC120V/60Hz]

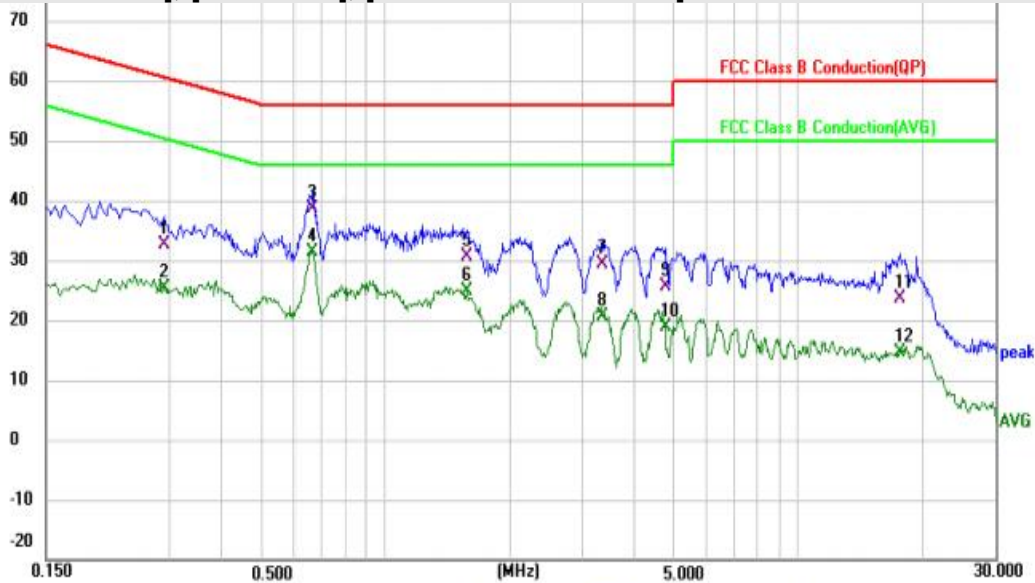


Site: Phase: **N** Temperature: (C)
 Limit: FCC Class B Conduction(QP) Power: Humidity: %RH
 EUT: Bluetooth headset
 M/N: LP40
 Mode: TX mode
 Note:

No.	Mk.	Freq. MHz	Reading Level dBuV	Correct Factor dB	Measure- ment dBuV	Limit dB	Over dB	Detector	Comment
1		0.2660	21.96	10.30	32.26	61.24	-28.98	QP	
2		0.2660	14.81	10.30	25.11	51.24	-26.13	AVG	
3		0.6660	26.70	9.82	36.52	56.00	-19.48	QP	
4	*	0.6660	21.64	9.82	31.46	46.00	-14.54	AVG	
5		1.2540	19.76	9.85	29.61	56.00	-26.39	QP	
6		1.2540	12.01	9.85	21.86	46.00	-24.14	AVG	
7		2.6300	15.86	9.89	25.75	56.00	-30.25	QP	
8		2.6300	10.82	9.89	20.71	46.00	-25.29	AVG	
9		4.6340	15.58	9.94	25.52	56.00	-30.48	QP	
10		4.6340	10.34	9.94	20.28	46.00	-25.72	AVG	
11		10.9140	12.09	10.18	22.27	60.00	-37.73	QP	
12		10.9140	6.97	10.18	17.15	50.00	-32.85	AVG	

Test Result: Pass

[TestMode: BT mode]; [Line: Line]; [Power:AC120V/60Hz]



Site: _____ Phase: **L1** Temperature: _____ (C)
 Limit: FCC Class B Conduction(QP) Power: _____ Humidity: %RH
 EUT: Bluetooth headset
 M/N: LP40
 Mode: TX mode
 Note:

No.	Mk.	Freq.	Reading Level	Correct Factor	Measurement	Limit	Over	Detector	Comment
		MHz	dBμV	dB	dBμV	dBμV	dB		
1		0.2900	22.72	9.85	32.57	60.52	-27.95	QP	
2		0.2900	15.64	9.85	25.49	50.52	-25.03	AVG	
3		0.6660	28.67	9.89	38.56	56.00	-17.44	QP	
4	*	0.6660	21.59	9.89	31.48	46.00	-14.52	AVG	
5		1.5740	20.75	9.93	30.68	56.00	-25.32	QP	
6		1.5740	14.85	9.93	24.78	46.00	-21.22	AVG	
7		3.3620	19.45	9.97	29.42	56.00	-26.58	QP	
8		3.3620	10.58	9.97	20.55	46.00	-25.45	AVG	
9		4.7700	15.67	10.01	25.68	56.00	-30.32	QP	
10		4.7700	8.94	10.01	18.95	46.00	-27.05	AVG	
11		17.6060	13.18	10.40	23.58	60.00	-36.42	QP	
12		17.6060	4.20	10.40	14.60	50.00	-35.40	AVG	

Test Result: Pass

18 RADIATED SPURIOUS EMISSIONS

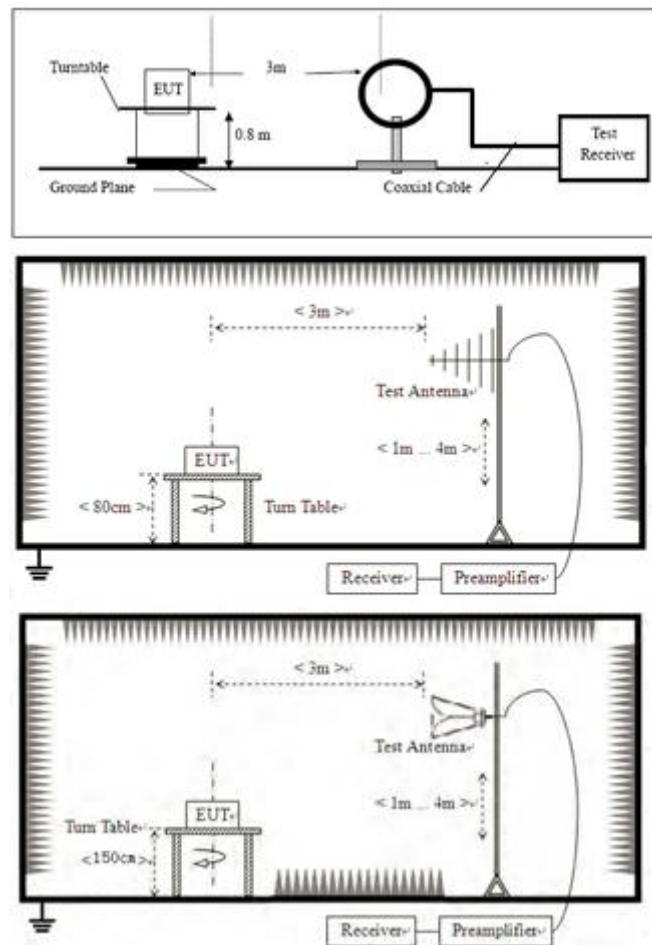
Test Standard	47 CFR Part 15, Subpart C 15.247
Test Method	ANSI C63.10 (2013) Section 6.4,6.5,6.6
Test Mode (Pre-Scan)	TX
Test Mode (Final Test)	TX
Tester	Charlie
Temperature	25°C
Humidity	60%

18.1 LIMITS

Frequency(MHz)	Field strength(microvolts/meter)	Measurement distance(meters)
0.009-0.490	2400/F(kHz)	300
0.490-1.705	24000/F(kHz)	30
1.705-30.0	30	30
30-88	100	3
88-216	150	3
216-960	200	3
Above 960	500	3

Remark: The emission limits shown in the above table are based on measurements employing a CISPR quasi-peak detector except for the frequency bands 9-90kHz, 110-490kHz and above 1000 MHz. Radiated emission limits in these three bands are based on measurements employing an average detector, the peak field strength of any emission shall not exceed the maximum permitted average limits specified above by more than 20 dB under any condition of modulation.

18.2 BLOCK DIAGRAM OF TEST SETUP



18.3 PROCEDURE

- For below 1GHz, the EUT was placed on the top of a rotating table 0.8 meters above the ground at a 3 or 10 meter semi-anechoic chamber. The table was rotated 360 degrees to determine the position of the highest radiation.
- For above 1GHz, the EUT was placed on the top of a rotating table 1.5 meters above the ground at a 3 meter fully-anechoic chamber. The table was rotated 360 degrees to determine the position of the highest radiation.
- The EUT was set 3 or 10 meters away from the interference-receiving antenna, which was mounted on the top of a variable-height antenna tower.
- The antenna height is varied from one meter to four meters above the ground to determine the maximum value of the field strength. Both horizontal and vertical polarizations of the antenna are set to make the measurement.
- For each suspected emission, the EUT was arranged to its worst case and then the antenna was tuned to heights from 1 meter to 4 meters (for the test frequency of below 30MHz, the antenna was tuned to heights 1 meter) and the rotatable table was turned from 0 degrees to 360 degrees to find the maximum reading.
- The test-receiver system was set to Peak Detect Function and Specified Bandwidth with Maximum Hold Mode.
- If the emission level of the EUT in peak mode was 10dB lower than the limit specified, then testing could be stopped and the peak values of the EUT would be reported. Otherwise the emissions that did not have 10dB margin would be re-tested one by one using peak, quasi-peak or average method as specified and then reported in a data sheet.

- h. Test the EUT in the lowest channel, the middle channel, the Highest channel.
- i. The radiation measurements are performed in X, Y, Z axis positioning for Transmitting mode, and found the X axis positioning which it is the worst case.
- j. Repeat above procedures until all frequencies measured was complete.

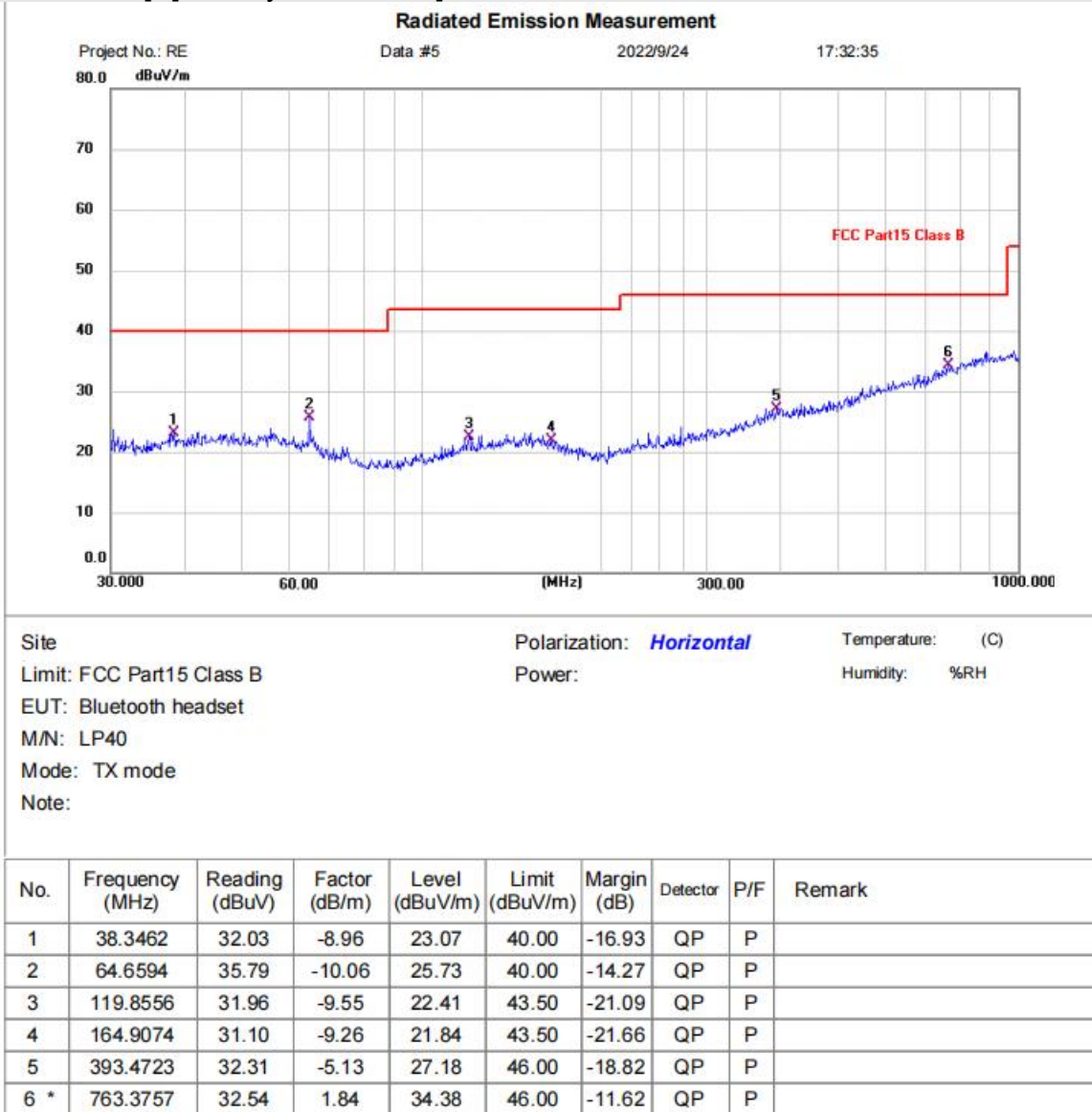
Remark:

- 1) For emission below 1GHz, through pre-scan found the worst case is the lowest channel. Only the worst case is recorded in the report.
- 2) The field strength is calculated by adding the Antenna Factor, Cable Factor & Preamplifier. The basic equation with a sample calculation is as follows:
Final Test Level = Receiver Reading + Antenna Factor + Cable Factor - Preamplifier Factor
- 3) Scan from 9kHz to 25GHz, the disturbance above 18GHz and below 30MHz was very low. The points marked on above plots are the highest emissions could be found when testing, so only above points had been displayed. The amplitude of spurious emissions from the radiator which are attenuated more than 20dB below the limit need not be reported.
- 4) For frequencies above 1GHz, the field strength limits are based on average limits. However, the peak field strength of any emission shall not exceed the maximum permitted average limits specified above by more than 20 dB under any condition of modulation. For the emissions whose peak level is lower than the average limit, only the peak measurement is shown in the report.

18.4 TEST DATA

Below 1GHz:

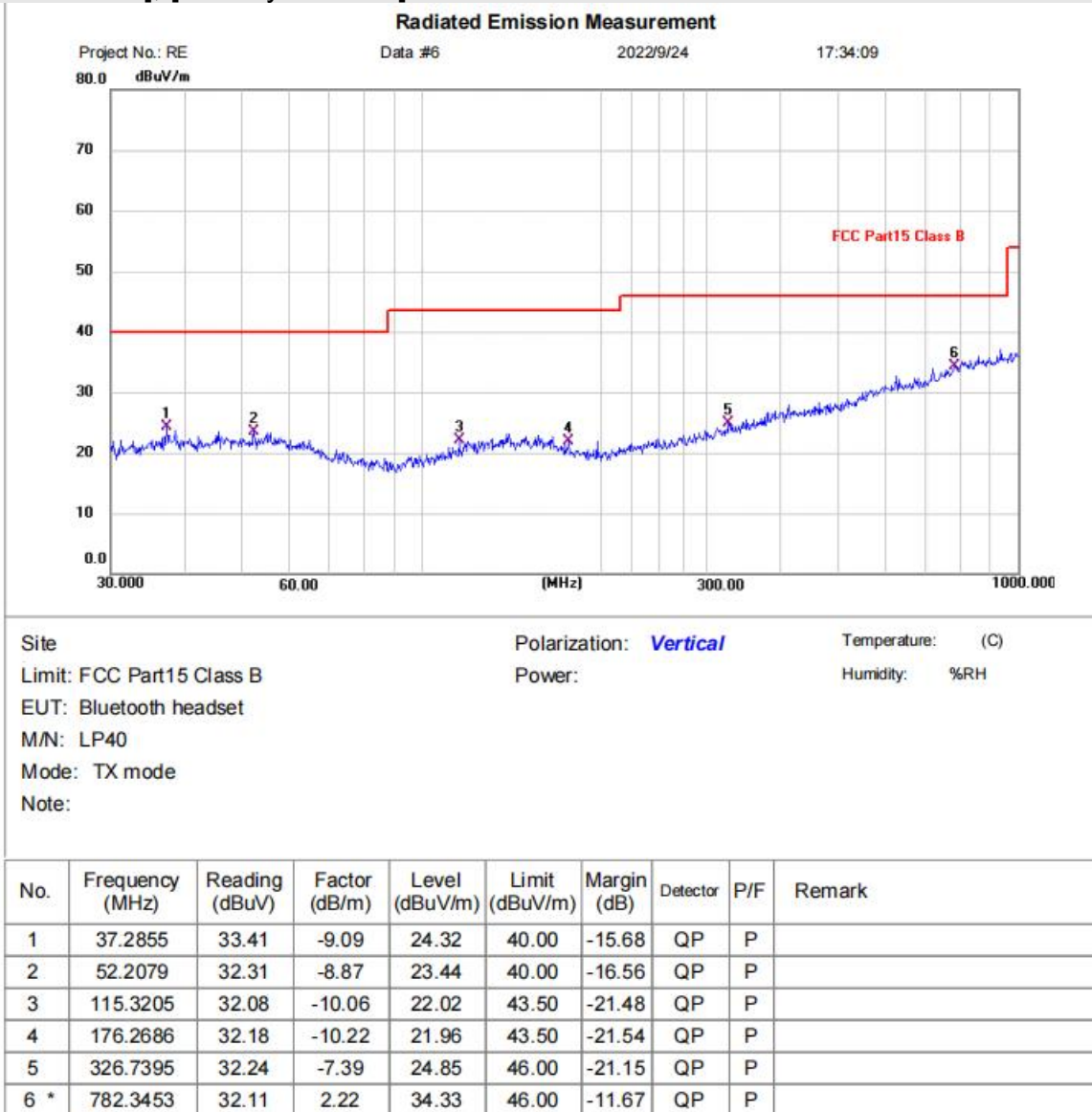
[TestMode: TX]; [Polarity: Horizontal]



*:Maximum data x:Over limit !:over margin

Test Result: Pass

[TestMode: TX]; [Polarity: Vertical]

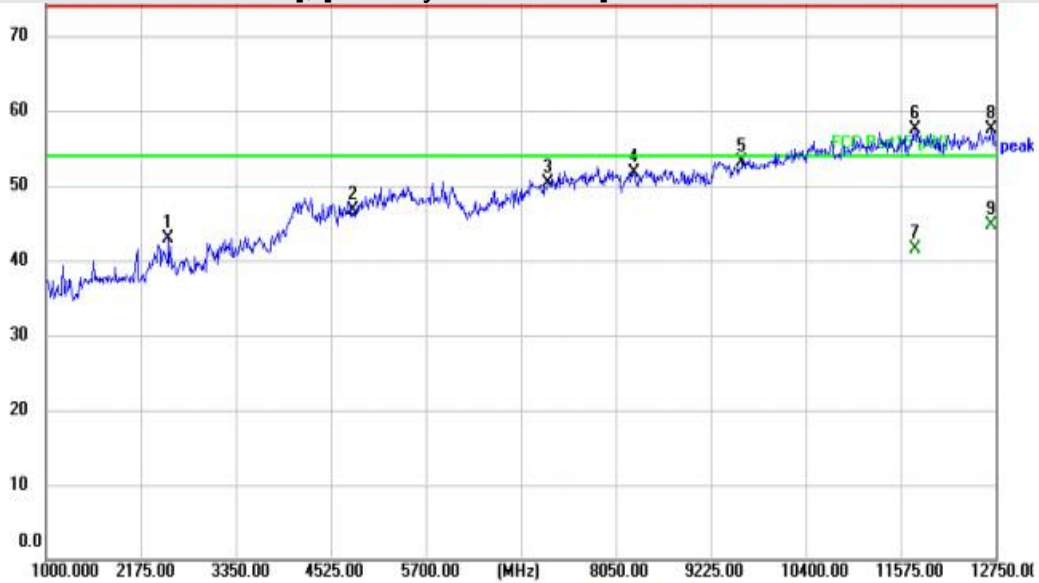


*:Maximum data x:Over limit !:over margin

Test Result: Pass

Above 1GHz:

[TestMode: TX lowest channel]; [Polarity: Horizontal]

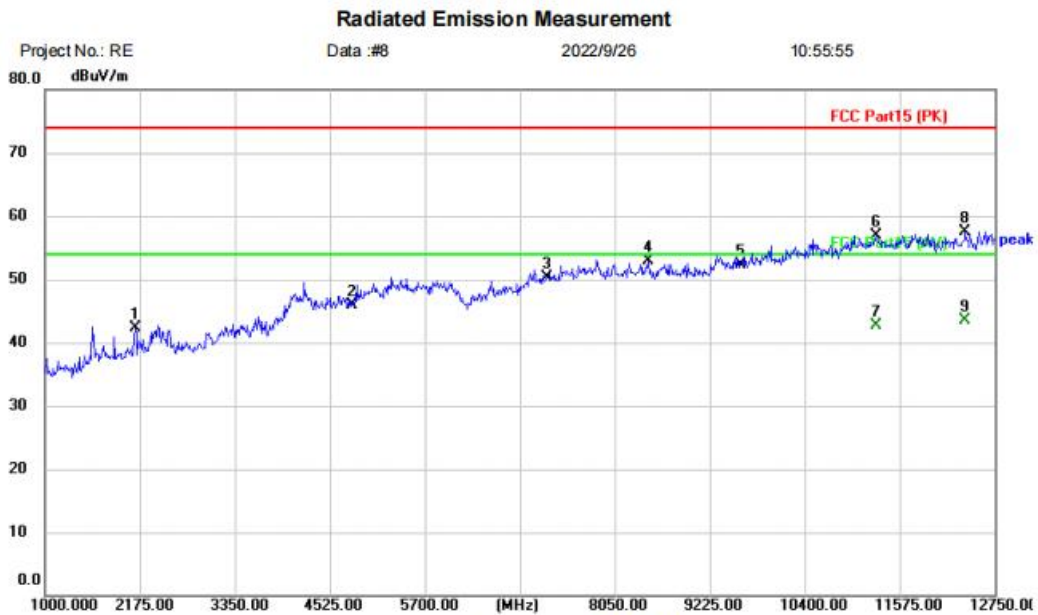


Site	Polarization: <i>Horizontal</i>	Temperature: (C)
Limit: FCC Part15 (PK)	Power:	Humidity: %RH
EUT: Bluetooth headset		
M/N: LP40		
Mode: TX-L		
Note:		

No.	Mk.	Freq.	Reading Level	Correct Factor	Measurement	Limit	Over	Detector	Comment
		MHz	dBuV	dB/m	dBuV/m	dBuV/m	dB		
1		2515.750	45.30	-2.34	42.96	74.00	-31.04	peak	
2		4804.000	42.65	4.05	46.70	74.00	-27.30	peak	
3		7206.000	42.39	7.93	50.32	74.00	-23.68	peak	
4		8273.250	42.76	9.03	51.79	74.00	-22.21	peak	
5		9608.000	42.29	10.90	53.19	74.00	-20.81	peak	
6		11751.250	43.73	13.79	57.52	74.00	-16.48	peak	
7		11751.250	27.80	13.79	41.59	54.00	-12.41	AVG	
8		12691.250	43.73	13.86	57.59	74.00	-16.41	peak	
9	*	12691.250	30.83	13.86	44.69	54.00	-9.31	AVG	

Test Result: Pass

[TestMode: TX lowest channel]; [Polarity: Vertical]



Site: Polarization: **Vertical** Temperature: (C)
 Limit: FCC Part15 (PK) Power: Humidity: %RH
 EUT: Bluetooth headset
 M/N: LP40
 Mode: TX-L
 Note:

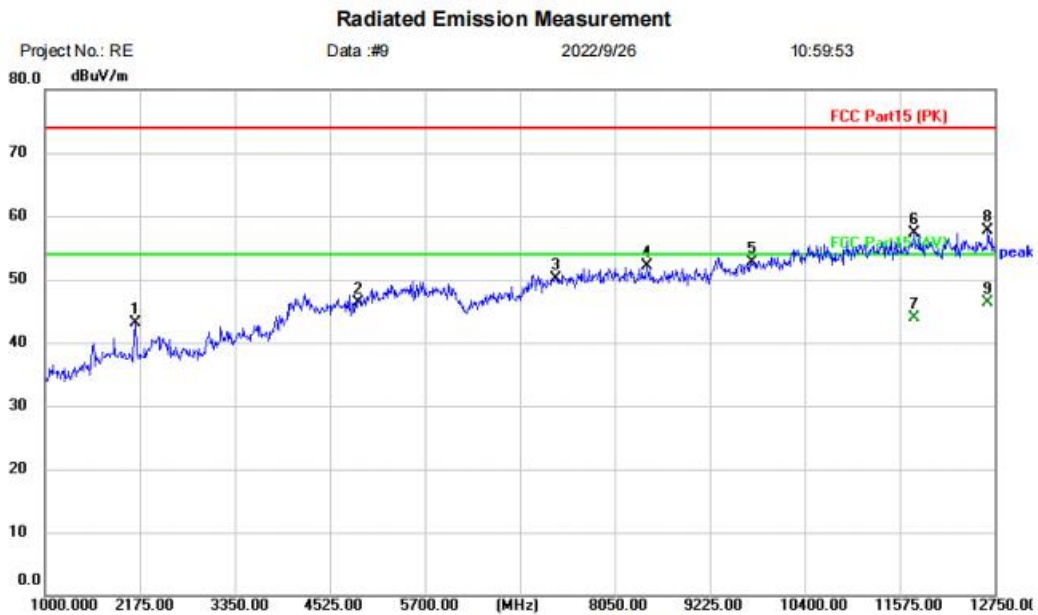
No.	Mk.	Freq. MHz	Reading Level dBuV	Correct Factor dB/m	Measure- ment dBuV/m	Limit dBuV/m	Over dB	Detector	Comment
1		2116.250	46.26	-3.94	42.32	74.00	-31.68	peak	
2		4804.000	41.86	4.05	45.91	74.00	-28.09	peak	
3		7206.000	42.28	7.93	50.21	74.00	-23.79	peak	
4		8461.250	43.80	9.11	52.91	74.00	-21.09	peak	
5		9608.000	41.32	10.90	52.22	74.00	-21.78	peak	
6		11281.250	43.34	13.58	56.92	74.00	-17.08	peak	
7		11281.250	29.18	13.58	42.76	54.00	-11.24	AVG	
8		12385.750	43.52	13.89	57.41	74.00	-16.59	peak	
9	*	12385.750	29.58	13.89	43.47	54.00	-10.53	AVG	

*:Maximum data x:Over limit !:over margin

(Reference Only)

Test Result: Pass

[TestMode: TX middle channel]; [Polarity: Horizontal]



Site: Polarization: **Horizontal** Temperature: (C)
 Limit: FCC Part15 (PK) Power: Humidity: %RH
 EUT: Bluetooth headset
 M/N: LP40
 Mode: TX-M
 Note:

No.	Mk.	Freq. MHz	Reading Level dBuV	Correct Factor dB/m	Measure- ment dBuV/m	Limit dBuV/m	Over dB	Detector	Comment
1		2116.250	47.01	-3.94	43.07	74.00	-30.93	peak	
2		4882.000	41.89	4.37	46.26	74.00	-27.74	peak	
3		7323.000	41.83	8.21	50.04	74.00	-23.96	peak	
4		8449.500	42.96	9.10	52.06	74.00	-21.94	peak	
5		9764.000	41.42	11.30	52.72	74.00	-21.28	peak	
6		11751.250	43.46	13.79	57.25	74.00	-16.75	peak	
7		11751.250	30.05	13.79	43.84	54.00	-10.16	AVG	
8		12667.750	43.76	13.87	57.63	74.00	-16.37	peak	
9	*	12667.750	32.34	13.87	46.21	54.00	-7.79	AVG	

*:Maximum data x:Over limit !:over margin

(Reference Only)

Test Result: Pass