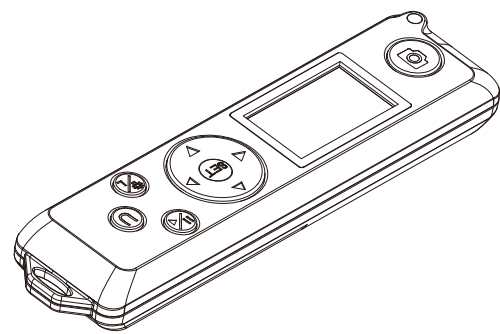


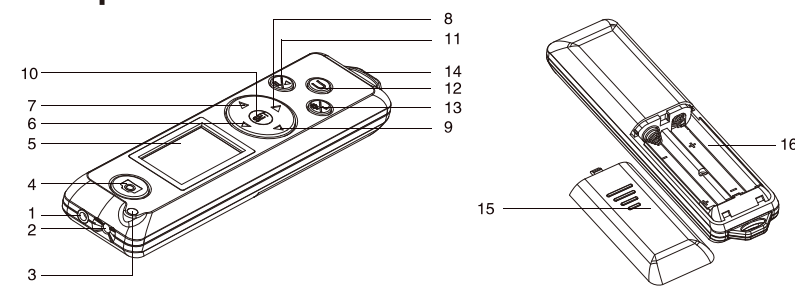
2.4G Multi function remote controller RC-L Instruction Manual



Safety tips:

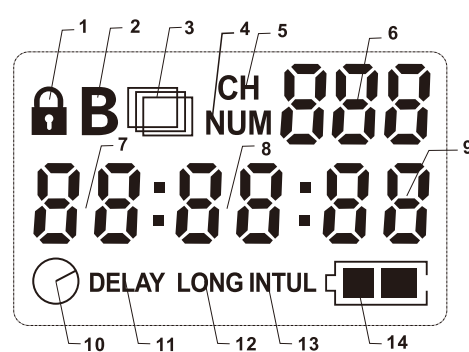
To prevent any damage to the product or to your personal injury, please read the caution carefully.

1. The product structure



Serial Number	Designation	Description
1	Connecting interface	Connect with the camera, used as the timing remote controller
2	Infrared transmitting tube	Transmit the infrared signal
3	Indicator lamp	Shows the 2.4G wireless status. Green for focus, red for shoot
4	Mechanical shutter	Half press for focus, full press for take pictures
5	Display Panel	Display remote control setting, power, time and other information
6	Left arrow operation	Move to the left to select options
7	Upward arrow operation	Move upward to select options or increase the parameter values
8	Right arrow operation	Move to the right to select options
9	Downward arrow operation	Move downward to select options or decrease the parameter values
10	SET button	Enter or exit the current option
11	Start/Stop button	Press on the timing interface to start timing, press again to stop timing.
12	Infrared remote control	Press the infrared transmitting button to control the camera to take pictures
13	Black light/Lock	Short press to light the backlight, long press to lock the button
14	Sling buckle	Used to assemble slings.
15	Battery chamber cover	Battery compartments cover
16	Battery compartments	Assemble the battery

2. The display panel



Serial Number	Designation	Description
1	Lock icon	When the punctuation is bright, the buttons on the remote control are locked.
2	B shutter icon	When the punctuation is bright, the remote control is in B shutter lock state.
3	Continuous shooting icon	This icon will be displayed when the mechanical shutter is pressed.
4	NUM icon	When the punctuation is bright, the number displayed after the icon is the number of shots.
5	CH icon	When the punctuation is bright, the number displayed after the icon is the number of remote control channels.
6	Shoot number/channel number	When the number in front is NUM, it means that the number of shots is currently set, the maximum value is 999. When the number before the number is CH, it means that the number of remote control channels is currently set, the maximum value is 99.
7	Parmater-Hours	This value is the maximum "hour hand" value of the timer or clock "23". The maximum timer value is "99".
8	Parmater-Minutes	This value is the maximum "minute hand" value of the timer or clock "59".
9	Parmater-seconds	This value is the maximum "second hand" value of the timer or clock "59".
10	Clock icon	In the setting state, when the icon flashes, it means that the clock value can be set.
11	DELAY icon	In the setting state, when the icon flashes, it means that the shooting delay value can be set. In the timer program running state, when the icon flashes, it indicates that it is in the countdown state of shooting delay.
12	LONG icon	In the setting state, when the icon flashes, it means that the exposure time can be set. In the timer program running state, when the icon flashes, it means it is in the exposure countdown state.
13	INTUL icon	In the setting state, when the icon flashes, it means that the shooting interval can be set. In the timer program running state, when the icon flashes, it means it is in the state of counting down between shooting intervals.
14	Battery icon	This icon is used to display the current remaining power of the remote control. When the icon flashes, it indicates that the battery is with low power.

3. Key function

1. Screen backlight / lock button

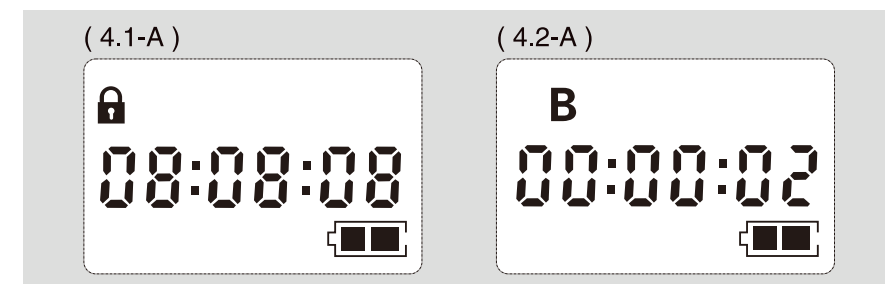
Display panel backlight switch

In the power-on state, short press the screen backlight/lock button once, the screen backlight will light up.

After the screen backlight is on, the backlight will automatically turn off when there is no key operation for 10 seconds.

Lock button

In the power-on state, long press the screen backlight/lock button for 3 seconds, the screen lit icon (figure 4.1-A), all the buttons on the remote control all locked at this time. Key lock state, long press the lock button for 5 seconds can remove key lock, at this time the icon disappears from the screen.



2. Focus/shoot button

When the remote control is turned on, and the remote control is wired to the camera or wirelessly connected to the handle is good., Press the button lightly, the camera will focus, then complete press the button, the camera will shoot. Long press the button for 5 seconds, will enter the shuttle B mode, the panel will display an icon B and B shutter timing. Press the B button again, exit B shutter mode icon on the screen. Return to clock timer.

3. Start / stop buttons

Start

In setting up good timing sequence parameters, press the button, timing program began to run.

Stop

In the process of timing program is running, press the button, timing applications will stop running. Stop running time program, press button again, timing program will run from the beginning again.

4. Infrared shooting button

When the camera's shooting mode to remote mode, press the button on the remote control, remote control will launch the infrared signal, remote camera photograph directly. When button pressed, the indicator light on the remote control is green.

On market this infrared cameras can apply to the nikon, Canon, SONY, Olympus, pentax brand with an infrared camera, such as SLR, micro single camera.

5. SET Key

When the key is not locked, press the SET key to enter the corresponding setting options. When the parameter value flashes, press the SET key to exit the setting.

6. Menu Key

In setting status, use the left and right arrows to switch the parameters. In setting status, use the up and down arrows to increase or decrease the parameters.

4. Function description

1. Clock setting

When use this product for the first time, 12:00:00 is display on the panel. Please press the SET key to adjust the clock. When the Clock icon blinks, press the up or down key to adjust. When the clock flashes, press the left or right key to enter the minute setting. Press the left or right key again to enter the clock setting. After setting, press the SET key to exit.

2. Remote control channel settings

In the boot interface, press the up button to enter the channel setting interface, press the SET button, the ones place of the value after CH flashes, press the up and down buttons to adjust the value, and press the left and right buttons to move between the ones and tens Switch, press SET to exit the setting.

3. The remote control channel is matched with our RC series handle

After the remote control is turned on, set the channel value of the remote control to the channel value you want. The RC series handles of our company are installed with batteries, and then when the handle function switch is ON, press the focus on the remote control and the shutter button once. At this time, the remote control and the handle are paired successfully. If you want to configure multiple handles for a single channel, just continue to power on the RC series handles that need to be paired, turn on the handle function switch, and press the focus and shutter buttons once.

If you want to use the remote control to control multiple handles separately, you only need to pair one handle, change the remote control channel, and then pair the other handle to complete multiple channels to match multiple cameras. If you want to control the handle of the corresponding channel, you only need to adjust the channel of the remote control to the channel when the handle is paired.

4. Use of connector socket

Prepare the required cable, insert one end of the 2.5mm audio plug of the cable into the cable socket of the remote control, and then insert the other end of the cable into the corresponding camera shutter cable interface. Use as a wired timer shutter release.

5. Setting and use of timing interface

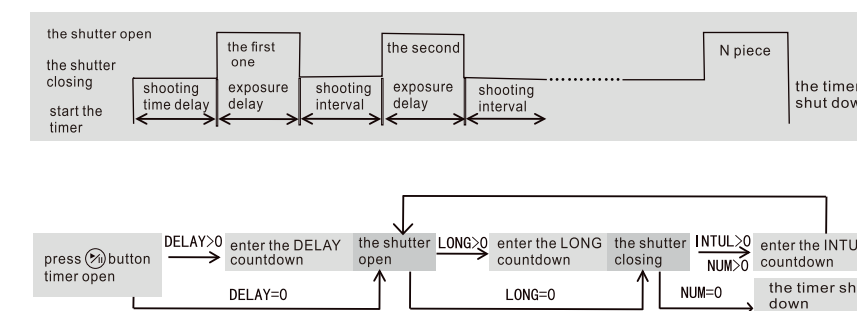
In the clock interface, press the down key once or press the up key twice to enter the timing interface. At this time, the DELAY icon is blinking. Press the left and right to choose between the LONG / INTUL / NUM options. When any option icon is flashing, press the SET key to enter the parameter setting. Press the left and right keys to switch between various parameters. Press the up and down keys to adjust the parameter value. After setting, press the SET key to exit.

5. The timer parameters and timing

1. Timing parameter

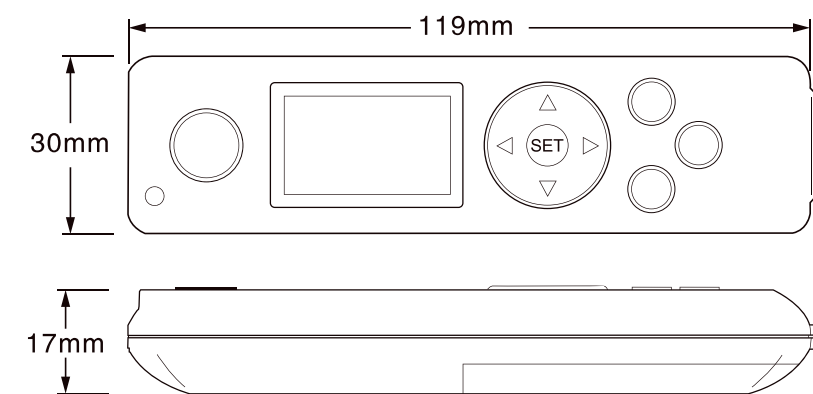
Options	Instructions	Parameter
DELAY	shooting time delay	00:00:00 to 99:59:59 (increased by 1 second)
LONG	exposure delay	00:00:00 to 99:59:59 (increased by 1 second)
INTUL	shooting interval	00:00:00 to 99:59:59 (increased by 1 second)
CH	2.4G channel	CH00-CH99 (as increment by 1)
NUM	shoot number	NUM001-NUM998 (as increment by 1) ---(Unlimited)

2. Timing working process



6. Product size

Measuring unit: mm Tolerance: ± 1.0mm
L=119 W=30 H=17



7. Technical specifications

Serial Number	Project	Specifications
1	Scope of application	This product can be applied to all SLR camera handles of our RC series. Wired connection and infrared remote control mode can be applied to Nikon, Canon, Sony, Pentax, Olympus and other brand cameras with infrared camera function.
2	Input voltage	3V
3	Battery type	Two 1.5V AAA batteries
4	Control model	2.4G wireless remote control (only valid for RC series handle of the company, with timer function) Connection line connection (only valid for camera, with timer function) Infrared remote control (only valid for camera, no timer function)
5	Control function	Mechanical shutter, B shutter, shooting delay, exposure delay, shooting interval, number of shots, number of cycles, remote control channel, clock, etc
6	Display mode	1.28" LCD screen, led shooting indicator (red and green)
7	Wireless frequency	2432MHz
8	Power	0dBm
9	Remote control distance	About 40 meters
10	Channel ID	CH0-CH99
11	Body material	70%ABS+30%PC, ABS
12	Net weight	About 30g (without battery)
13	Working environment temperature	0°C - 40°C
14	Storage temperature	-10°C - 50°C
15	Relative humidity	20% - 90%

8. Caution

1. Please use the specified battery only, otherwise the product may not be turned on or damaged.
2. This product has no waterproof function.
3. Please do not drop, strike the product.
4. When the battery icon blinks, replace the battery with a new one.
5. The connector of the product is used to connect the camera shutter cable port to use as a shutter cable. It is forbidden to insert any plug other than the camera cable into the connector, otherwise the product will be damaged.

FCC Warning

This device complies with part 15 of the FCC Rules. Operation is subject to the following two conditions: (1) This device may not cause harmful interference, and (2) this device must accept any interference received, including interference that may cause undesired operation.

Any Changes or modifications not expressly approved by the party responsible for compliance could void the user's authority to operate the equipment.

This equipment has been tested and found to comply with the limits for a Class B digital device, pursuant to part 15 of the FCC Rules. These limits are designed to provide reasonable protection against harmful interference in a residential installation. This equipment generates uses and can radiate radio frequency energy and, if not installed and used in accordance with the instructions, may cause harmful interference to radio communications. However, there is no guarantee that interference will not occur in a particular installation. If this equipment does cause harmful interference to radio or television reception, which can be determined by turning the equipment off and on, the user is encouraged to try to correct the interference by one or more of the following measures:

- Reorient or relocate the receiving antenna.
 - Increase the separation between the equipment and receiver.
 - Connect the equipment into an outlet on a circuit different from that to which the receiver is connected.
 - Consult the dealer or an experienced radio/TV technician for help.
- The device has been evaluated to meet general RF exposure requirement. The device can be used in portable exposure condition without restriction.