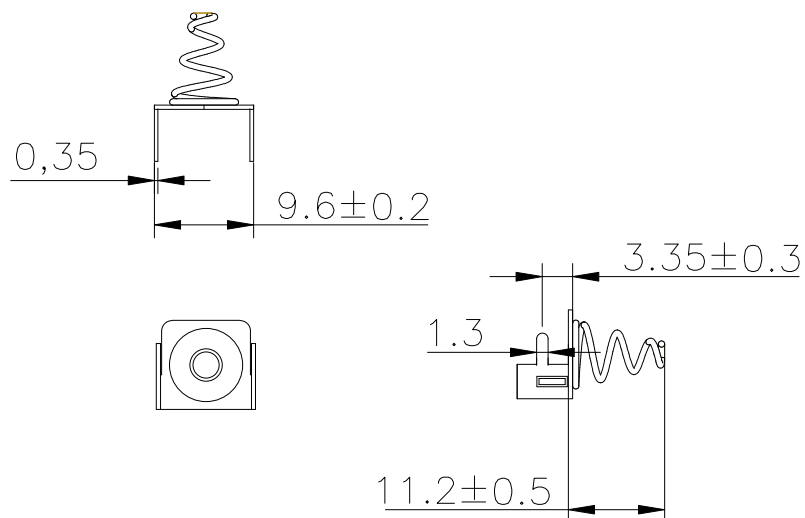


Antenna Description

1、 Antenna Description

Antenna board :	monopole antenna
model :	TX-BU13SE
Transmit power:	10mw
Frequency Range:	470-960MHz
Modulation:	FM
Antenna Manufacturer :	calendar

2、 Antenna view

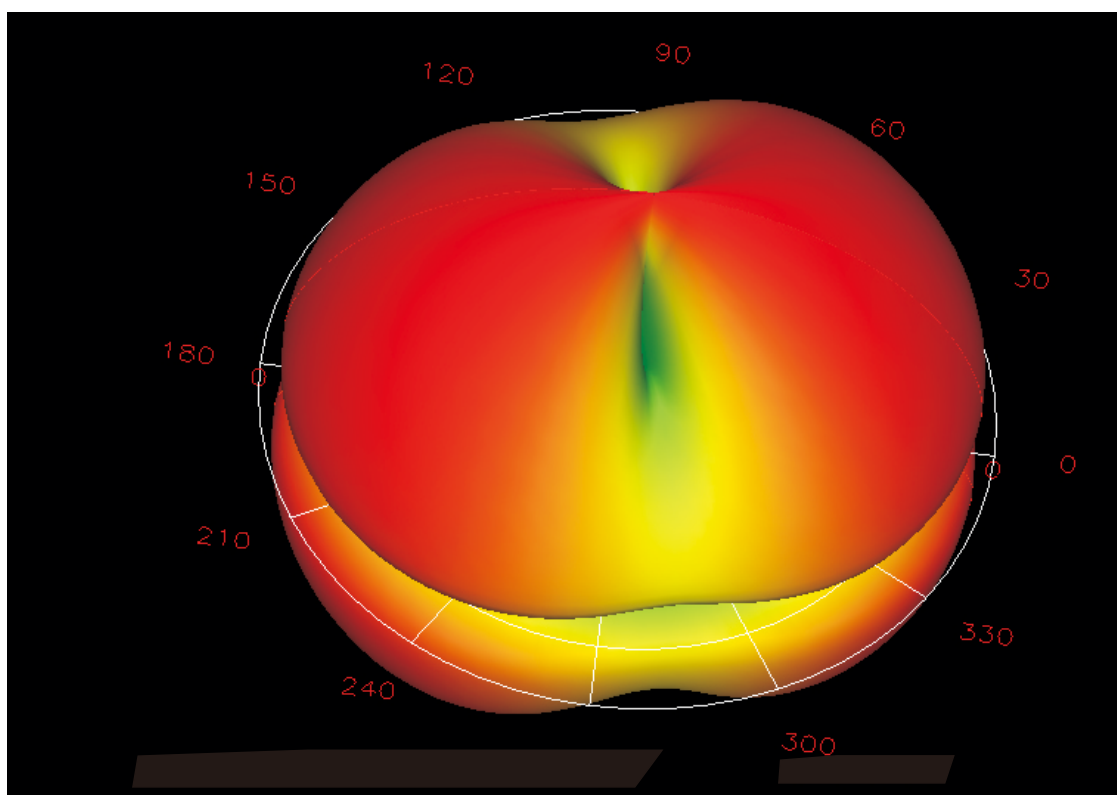


Antenna pictures

3、 Antenna Radiation Pattern :

Radiation Pattern@470-960MHz

angle	0	45	90	135	180	235	270	315
Attenuation value	- 15	- 5	- 8	- 9	- 20	- 23	- 15	- 10



Antenna gain: 3dbi

Antenna impedance: 50 ohms