

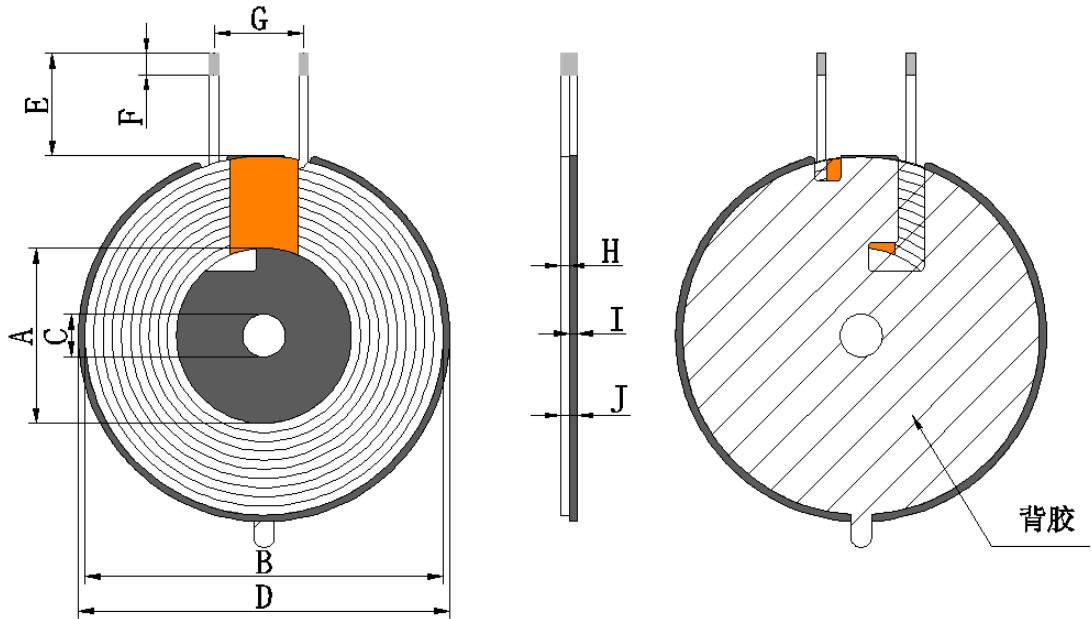
Antenna Specifications

1. Model number: 20.5*42*0.08*105P*10TS*10mm

2. Manufacture: DONGGUAN KIMCHEN INDUSTRY INTL LIMITED

Address: No. 2, Xisha Road, Shijie Town, Dongguan, Guangdong, China

3.



A	B	C	D	E	F	G	H	I	J
20.5±0.5	42±1	5.0±0.5	43.5±0.5	10±1	3±1	1.0±0.2	1.25MAX	1.0±0.1	2.8max

4. Product parameters

Antenna Gain: 0dBi

Line diameter: 0.08*105P

Number of turns: 10

