

Monster Airmars X1
无线游戏鼠标
使用说明书

产品参数

- 按键数 ----- 6 键
- 传输距离 ----- 10 米
- DPI ----- 800/1600/2400/4800/6400/8000
- 模式 ----- 2.4G+BT+有线
- 按键寿命 ----- 800 万次
- 灯效 ----- RGB

包装清单

	鼠标 x1		说明书 x1
	2.4G 接收器 x1		充电底座 x1
	Type-C 充电线 x1		

注意事项

1. 除说明书有特殊标示的操作方式以外, 请勿尝试拆卸或更换产品内的任何零件。
2. 请勿将产品放入水或其他任何液体中, 此产品非防水设计。
3. 如果有任何液体不小心进入产品内时, 请立即断开连接并移开此产品。
4. 为避免触电, 请在安装或卸载产品时, 确保手上没有沾水。
5. 请勿将此产品放置于热源附近或直接暴露在火源附近。
6. 请勿将本产品放置在有强大电磁力的环境中, 否则会导致产品故障。

产品介绍

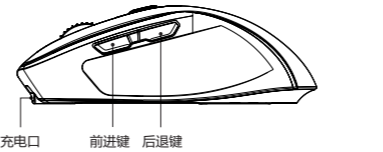
鼠标尺寸: 121.09 x 71.6 x 40.2mm

左键 中键 右键 中键指示灯 光电 IC 孔

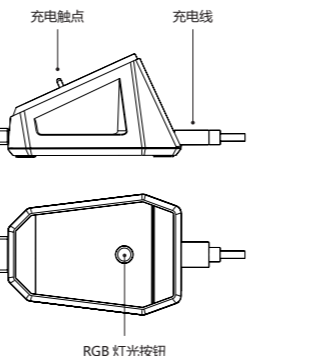
DPI 切换键 DPI 指示灯 灯光切换键 2.4G 接收器

模式切换键
上: 2.4G模式
中: 关闭
下: 蓝牙模式

产品介绍

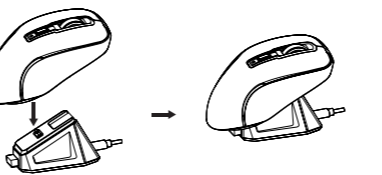


充电底座尺寸: 76 x 40.29 x 48.82mm



鼠标底座充电说明

充电底座线连接充电头, 随后将鼠标放置底座上, 即可进行充电。



系统支持

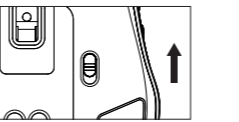
鼠标支持与安装了 Windows 8 及以上版本的 Windows OS, Mac OS 10.10 及以上操作系统与 Google Chrome OS 的电脑配对。

连接模式

- **有线模式:**
 1. 将Type-C线连接至鼠标, USB线连接至计算机, 计算机将自动识别并配置鼠标;
 2. 配置完成后, 鼠标即可使用。
 3. 插入USB线自动切换至有线模式。
- **2.4G模式:**
 1. 取下鼠标盖, 取出2.4G接收器, 并将鼠标模式切换键向上切换至2.4G模式。
 2. 将接收器插入电脑, 此时可以正常使用。

2.4G强配对模式:

同时按下左、中、右按键3-5秒, DPI 指示灯快速闪烁黄色, 此时将接收器插入, LOGO灯光正常循环表示已成功连接。

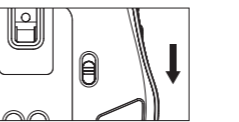


蓝牙模式:

1. 将鼠标模式切换键向下切换至蓝牙模式, 此时DPI指示灯快速闪烁蓝色, 表示鼠标进入蓝牙配对状态。
2. 在电脑上打开蓝牙并连接蓝牙设备“ Airmars X1 ”, LOGO灯光正常循环表示已成功连接。

蓝牙强配对模式:

同时按下左、中、右按键3-5秒, DPI 指示灯快速闪烁蓝色, 此时搜索“Airmars X1”并连接, 成功连接后LOGO灯光正常循环。



中键指示灯说明

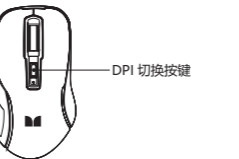
低电压提示	红灯闪烁
鼠标充电中	红灯常亮
鼠标充满电	绿灯常亮

鼠标 RGB 灯效:

鼠标配置 8 种灯光效果
【1. 七彩流光 (默认)】 【2. 变色呼吸】 【3. 单色常亮】 【4. 霓虹】 【5. 拖尾】
【6. 七彩常亮】 【7. 七彩跳动】 【8. 关闭灯光】

DPI 功能说明

6 种 DPI 等级指示灯
按下 DPI 循环按钮, 可以切换鼠标 DPI 级别;
800 红色、1600 蓝色、2400 绿色、4800 粉色、6400 黄色、8000 青色。



Name of the Parts 部件名称	Hazardous Substances 有害物质					
	Pb 铅	Hg 汞	Cd 镉	Cr(VI) 六价铬	PBB 多溴联苯	PBDE 多溴二苯醚
Housing 外壳	0	0	0	0	0	0
PCBA 电路板组件	X	0	0	0	0	0
Accessories 电源线, 连接线	X	0	0	0	0	0

This table is compiled according to SJ/T 11364.
本表格依据SJ/T 11364的规定编制。

0: Indicates that this hazardous substance contained in all of the homogeneous materials for this part is below the limit requirement in GB/T 26572

0: 表示该有害物质在该部件所有均质材料中的含量均在 GB/T 26572 标准规定的限量要求以下。

X: Indicates that this hazardous substance contained in at least one of the homogeneous materials used for this part is the limit requirement in GB/T 26572.

X: 表示该有害物质至少在该部件的某一均质材料中含量超过 GB/T 26572 标准规定的限量要求。



This logo refers to the period (10 years) during which the hazardous substances in electronic and electrical products will not leak or mutate so that the use of these [substances] will not result in any severe environmental pollution, any bodily injury or damage to any assets.

这标志标识的期间 (10年) 是电子电气产品中有有害物质在正常使用的条件下不会发生外泄或突变, 电子电气产品用户使用该电子电气产品不会对环境造成严重污染或对其人身、财产造成严重损害的期限。

保修卡

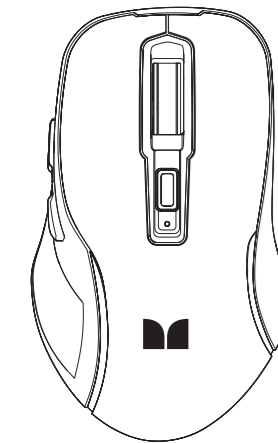
尊敬的客户, 本保修卡是您将来申请保修的凭证, 请您配合销售商填写并妥善保管备用!

用户信息		
用户姓名		电子邮件
联系电话		邮政编码
通讯地址		
产品信息		
产品名称		产品型号
产品条码/编号/批号		

销售商信息

名称	
地址	
联系电话	邮政编码
销售日期	发票号码
备注	





Monster Airmars X1
Wireless gaming mouse
user's manual

Product Parameter

- Number of buttons----- 6
- Transmission distance----- 10M
- DPI-----800/1600/2400/4800/6400/8000
- Mode----- 2.4G+BT+Wired
- Button life ----- 8 million times
- Lighting-----RGB

Packing List

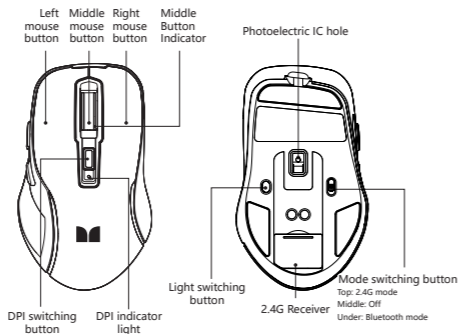
	Mouse x 1		Instruction manual x1
	2.4G Receiver x 1		Charging base x1
	Type-C charging cable x1		

Kindly reminder

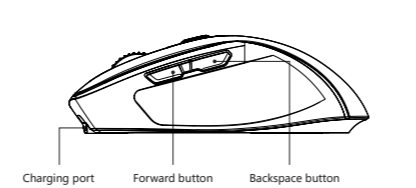
- 1.Do not attempt to disassemble or replace any parts of the product except for those operations specifically indicated in the instruction manual.
- 2.Do not put the product into water or any other liquid, this product is not waterproof design.
- 3.If any liquid accidentally enters the product, please disconnect and remove the product immediately.
- 4.To avoid electric shock, please make sure there is no water on your hands when installing or uninstalling the product.
- 5.Do not place this product near a heat source or expose it directly to a fire source.
- 6.Do not place this product in an environment with strong electromagnetic force, as this may cause the product to malfunction.

Product Introduction

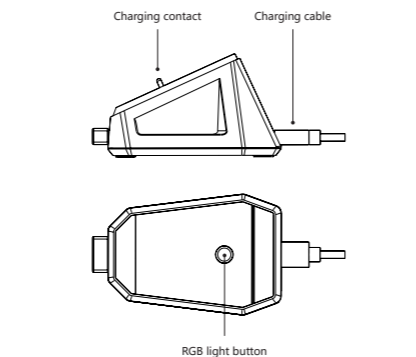
Mouse Size: 121.09 x 71.6 x 40.2mm



Product Introduction

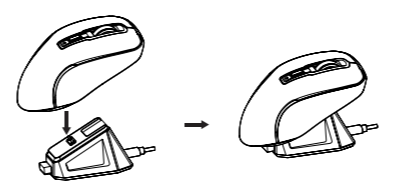


Charging base Size: 76 x 40.29 x 48.82mm



Mouse Dock Charging Instructions

The charging dock cable connects to the charging head, followed by placing the mouse on the dock for charging.



System Support

The mouse supports pairing with computers with Windows OS 8 and above, Mac OS 10.10 and above and Google Chrome OS installed.

Connection mode

- Wired mode:**
 - 1.Connect the Type-C cable to the mouse and the USB cable to the computer, the computer will automatically recognise and configure the mouse;
 2. After the configuration is complete, the mouse is ready to use.
 3. Plug in the USB cable to automatically switch to wired mode.
- 2.4G mode:**
 1. Remove the mouse cover, take out the 2.4G receiver, and switch the mouse mode switch up to 2.4G mode.
 2. Insert the receiver into the computer, it can be used normally at this time.

- 2.4G Strong pairing mode:** Press the left, center and right buttons at the same time for 3-5 seconds, the DPI light flashes yellow rapidly, at this time, plug the receiver in, LOGO light cycles normally indicating a successful connection.



Bluetooth mode:

1. Switch the mouse mode switch down to Bluetooth mode, at this time the DPI indicator light flashes blue rapidly, indicating that the mouse enters the Bluetooth pairing state.
2. Open Bluetooth on the computer and connect the Bluetooth device "Airmars X1" , LOGO light normal cycle that has been successfully connected.

- Bluetooth strong pairing mode:** Press the left, center and right buttons at the same time for 3-5 seconds, the DPI indicator will flash blue rapidly, then search for "Airmars X1" and connect it, the LOGO light will cycle normally after successful connection.



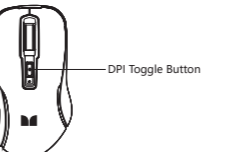
Middle Button Indicator Description

Low Voltage Indication	Red light flashing
Mouse charging	Red light always on
Mouse fully charged	Green light always on

- Mouse Eight Effect:** Mouse configuration 8 kinds of lighting effects [1. Colorful Streaming (default)] [2. Color Changing Breathing] [3. Monochrome Always Bright] [4. Neon] [5. Drag Tail] [6. Colorful Always Bright] [7. Colorful Jumping] [8. Turn Off Lights]

DPI Function Description

6 DPI level indicators
Press the DPI cycle button to switch the mouse DPI level;
800 Red, 1600 Blue, 2400 Green, 4800 Pink, 6400 Yellow, 8000 Cyan.



Name of the Parts	Hazardous Substances					
	Pb	Hg	Cd	Cr(VI)	PBB	PBDE
Housing	O	O	O	O	O	O
PCBA	X	O	O	O	O	O
Accessories	X	O	O	O	O	O

This table is compiled according to SJ/T 11364.

O: Indicates that this hazardous substance contained in all of the homogeneous materials for this part is below the limit requirement in GB/T 26572

X: Indicates that this hazardous substance contained in at least one of the homogeneous materials used for this part is the limit requirement in GB/T 26572.

Environment Friendly Use Period (EFUP)

This logo refers to the period (10 years) during which the hazardous substances in electronic and electrical products will not Leakor mutate so that the use of these [substances] will not result in any severe environmental pollution, any bodily injury or damage to any assets.

Warranty Card

Dear user, this warranty card is your certificate for applying for warranty in the future, please cooperate with the seller to fill it out and keep it in a safe place for future use!

User Information		
Username		E-mail
Contact Number		Postal code
Mailing Address		
Product Information		
Product Name		Product number
Product barcode/number/lot number		

Vendor information		
Name		
Address		
Contact Number	Postal code	
Sale Date	Invoice number	
Remark		



FCC Warning:

This equipment has been tested and found to comply with the limits for a Class B digital device, pursuant to part 15 of the FCC Rules. These limits are designed to provide reasonable protection against harmful interference in a residential installation. This equipment generates, uses and can radiate radio frequency energy and, if not installed and used in accordance with the instructions, may cause harmful interference to radio communications. However, there is no guarantee that interference will not occur in a particular installation. If this equipment does cause harmful interference to radio or television reception, which can be determined by turning the equipment off and on, the user is encouraged to try to correct the interference by one or more of the following measures:

- Reorient or relocate the receiving antenna.
- Increase the separation between the equipment and receiver.
- Connect the equipment into an outlet on a circuit different from that to which the receiver is connected.
- Consult the dealer or an experienced radio/TV technician for help.

Caution: Any changes or modifications to this device not explicitly approved by manufacturer could void your authority to operate this equipment.

This device complies with part 15 of the FCC Rules. Operation is subject to the following two conditions:

(1) This device may not cause harmful interference, and (2) this device must accept any interference received, including interference that may cause undesired operation.

This equipment complies with FCC radiation exposure limits set forth for an uncontrolled environment. This equipment should be installed and operated with minimum distance 0cm between the radiator and your body.