

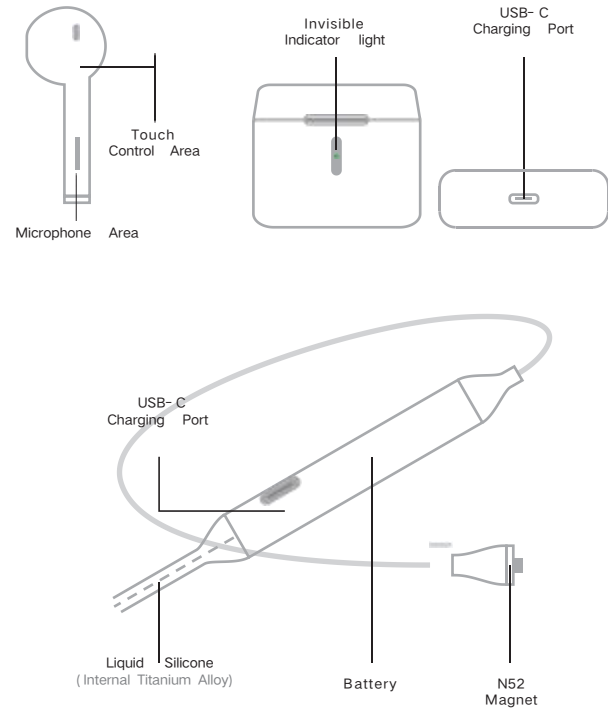
GUIDE FOR MIVOX F2



MIVOX F2 USER GUIDE

Thanks for choosing MIVOX F2, the wireless earphone with magnetic charging neck cord. In order to have a better user experience, please read this user guide before you start your journey with MIVOX F2.

Please follow the directions to avoid damages of the earphones.



ENGLISH

EARBUDS TOUCH CONTROL GUIDE

Function	Operation	Function	Operation
Turn On/Turn Off	Long Hold 8 sec	Switch to Last Song	Triple Click
Switch ANC Mode	Hold 3 sec	Switch to Next Song	Double Click
Play/Stop Songs	Single Click	Calling Reject	Double Click

PRODUCT PARAMETER

Model	MIVOX F2	Battery Type	Level A Pure Cobalt
CPU	BT8892E	Frequency Range	20Hz-20KHz
Battery	Earbud: 30mAh/each	Mic Sensitivity	-42±1 dB
	Neck Band: 150mAh	Bluetooth	Bluetooth V5.0
	Case: 350mAh	Bluetooth Range	>15M
Fully Charged Time	Earphone: 20min	ANC	±20 dB
	Neck Band: 40min	Bluetooth Protocol	A2DP, AVRCP, HFP, HSP
	Case: 70min	Play Time	30 Hours / Earbud
Case Size	57.5X47.5X22.5mm	Waterproof Level	IPX4
Band Length	750mm	Warranty Time	1 Year

LED INDICATION

Charing Case	Power the Charging Case	In Charging: orange light flash
		Half Charged: white light flash
		Fully Charged: green light on
Power Earbuds with the Case	Put the earbuds in the case, the orange/green light will flash for 10 seconds	Orange light flash 3S: low power
		White light flash 3S: power half full
		Green light flash 3S: enough power
Checking the Charging Case's Power without the Earbuds		In charging: red light breath
		Fullled charged: red light on
		In charging: green light on
Charging Neck Cord	Power Earbuds with Neck Cord	Fullled charged: green light off

STORAGE AND MAINTENANCE

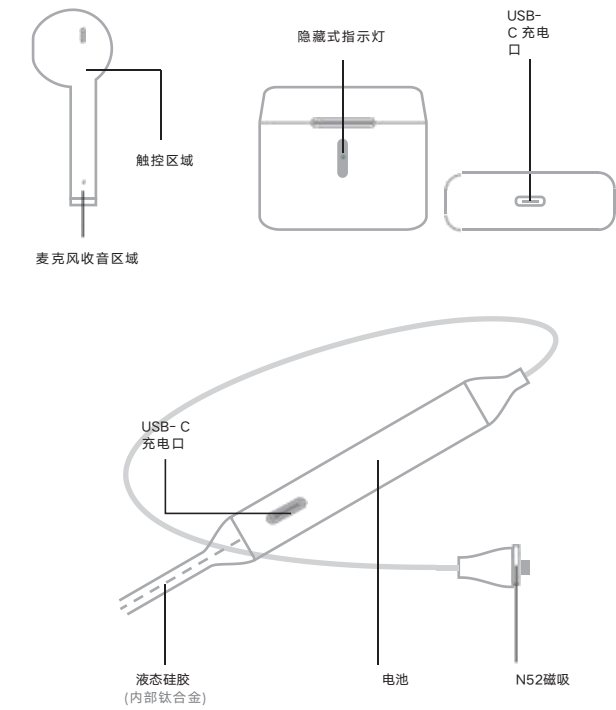
- The headset should be stored in a cool and dry place. The working temperature should be -10°C—45°C. Working in an environment that is too cold, too hot, or humid may shorten the battery life.
- Listening to music at a high volume may damage your hearing and the sound may be distorted. Please choose a suitable volume to listen to music and make calls.
- Using earphones for a long time may cause discomfort to the ears and risk of hearing damage.
- The connection between the neckline and the earplugs is a magnet and a nickel-plated patch. Please try to keep it dry and wipe it dry after exercise to prevent being rusted.
- Before charging, please make sure the charging port is dry, so as not to damage the earphone circuit.
- If you haven't use the earphone for a long time, please charge it first before using.

www.mivox99.com Manufacturer: Shenzhen Diangua
Email: service@mivox99.com Innovation Technology Co., Ltd MIVO INC (CO. USA)

简体中文

MIVOX F2 使用说明书

感谢您选购 MIVOX F2 挂脖磁吸充电式无线蓝牙耳机，为了更好的用户体验，建议您在 使用之前，阅读本说明书，并按照说明书上的方法使用耳机，避免可能造成的不良体验及产品损坏。



耳塞触摸按键操作

功能	操作	功能	操作
开机/关机	左右耳长按8秒	切换上曲	三击
切换降噪模式	按住3秒	切换下曲	双击
播放/暂停歌曲	单击	拒接电话	双击

耳机规格

型号	MIVOX F2	电池类型	A品纯钴酸锂电池
主控芯片	BT8892E	频响范围	20Hz-20KHz
电池	耳机: 30mAh/each	麦克风敏感度	-42±1 dB
	挂脖线: 150mAh	降噪等级	±20 dB
	充电仓: 350mAh	蓝牙版本	Bluetooth V5.2
充电时间	耳机: 20min	蓝牙传输距离	>15米
	挂脖线: 40min	蓝牙协议	A2DP, AVRCP, HFP, HSP
	充电仓: 70min	播放时间	30 小时 / 单耳
充电仓尺寸	57.5X47.5X22.5mm	防水等级	IPX4
挂脖线长度	750mm	保修期	1 年

LED指示灯

充电仓	给充电仓供电	充电中: 橙灯闪烁
		充半满: 白等闪烁
		充满电: 绿灯常亮
充电仓	充电仓给耳机供电	耳机放入关盖, 橙灯/绿灯闪烁10秒
		开/关充电仓盖 (不放入耳机), 可查看充电仓电量
		橙灯闪烁3S: 电量低 白灯闪烁3S: 电量半满 绿灯闪烁3S: 电量充足
挂脖线	给挂脖线充电	充电中: 红灯呼吸
		充满电: 红灯常亮
		充电中: 绿灯常亮
挂脖线	挂脖线给耳机充电	充满电: 绿灯熄灭

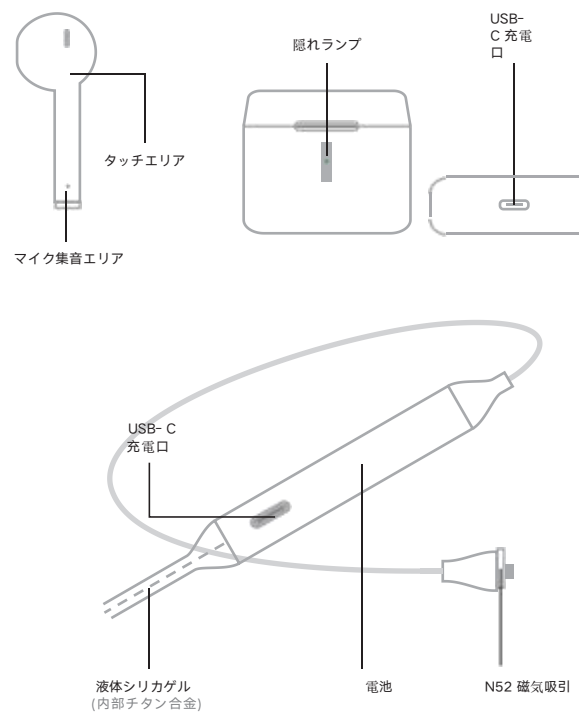
存储和维护

- 耳机应当存放在阴凉干燥处。工作温度应在-10°C—45°C。工作在过冷、过热、过度潮湿的环境可能会缩短电池的寿命。
- 过高的音量听音乐可能会损伤您的听力，声音也可能失真，请选择合适的音量听音乐和打电话。
- 长时间使用耳机会使耳朵感到不适并存在损伤听力的风险。
- 挂脖线与耳塞的连接处为磁铁和镀镍贴片，请尽量保持干燥并在运动使用后擦干，可防止生锈。
- 充电前请确保充电口干燥，以免充电口残留水迹导致耳机电路损伤。
- 长时间不使用后，在使用前请先充电。

www.mivox99.com 生产厂商: 深圳市点瓜创新科技有限公司 MIVO INC (CO. USA)
Email: service@mivox99.com

MIVOX F2取扱説明書

MIVOX F2首掛け磁気吸引式ワイヤレスBluetoothイヤホンを選択してご購入いただきありがとうございます。より良いユーザー体験を得るために、使用前に、本説明書を読んで、説明書の方法に従ってイヤホンを使用することをお勧めします。不良体験や製品の破損を避けることをお勧めします。



日本語

耳栓タッチボタン操作

功能	操作	功能	操作
开机/关机 電源オン/電源オフ	左右耳长按8秒 左/右イヤホンを8秒長押しする	切换上曲 前の曲	三击 三回クリック
切换降噪模式 ノイズリダクションモードを切り替	按住3秒 左/右イヤホンを3秒長押しする	切换下曲 次の曲	双击 ダブルクリック
播放/暂停歌曲 再生/一時停止音楽	单击 ワンクリック	拒接电话 電話切る	双击 ダブルクリック

イヤホン仕様

型番	MIVOX F2	バッテリーの種類	A製品純コバルト電池
マスターチップ	BT8892E	周波数範囲:	20Hz-20KHz
電池容量	イヤホン: 30mAh/のみ	マイクの感度	-42±1 dB
	首掛けコード: 150mAh	Bluetoothバージョン	Bluetooth V5.2
充電時間充電ボックスサイズ	充電ボックス: 20分	Bluetoothプロトコル	A2DP, AVRCP, HFP, HSP
	充電ボックス: 40分	再生時間	30時間(片耳)
	運動コード: 70分	防水レベル	IPX4
充電ボックスサイズ	57.5X47.5X22.5mm	保証	1 年
首掛けコードの長さ	750mm		

This device complies with part 15 of the FCC Rules. Operation is subject to the following two conditions: (1) this device may not cause harmful interference, and (2) this device must accept any interference received, including interference that may cause undesired operation. Any changes or modifications not expressly approved by the party responsible for compliance could void the user's authority to operate the equipment.

NOTE: This equipment has been tested and found to comply with the limits for a Class B digital device, pursuant to Part 15 of the FCC Rules. These limits are designed to provide reasonable protection against harmful interference in a residential installation. This equipment generates, uses and can radiate radio frequency energy and, if not installed and used in accordance with the instructions, may cause harmful interference to radio communications. However, there is no guarantee that interference will not occur in a particular installation.

If this equipment does cause harmful interference to radio or television reception, which can be determined by turning the equipment off and on, the user is encouraged to try to correct the interference by one or more of the following measures:

- Reorient or relocate the receiving antenna.
 - Increase the separation between the equipment and receiver.
 - Connect the equipment into an outlet on a circuit different from that to which the receiver is connected.
 - Consult the dealer or an experienced radio/TV technician for help.
- The device has been evaluated to meet general RF exposure requirement. The device can be used in portable exposure condition without restriction

www.mivox99.com
Email: service@mivox99.com

MIVO INC (CO.