

FST200 Label & Label Location

Label:

Battery Version

FST200-00HA

SN: ST221XXXXXXXX

EUI: FF0XXXXXXXXXXXXXX

FCC ID: 2A8OE-FST200

Xiamen Four-Faith Communication Technology Co., Ltd

www.fourfaith.com



DC Power Version:

FST200-00HC

SN: ST223XXXXXXXX

EUI: FF0XXXXXXXXXXXXXX

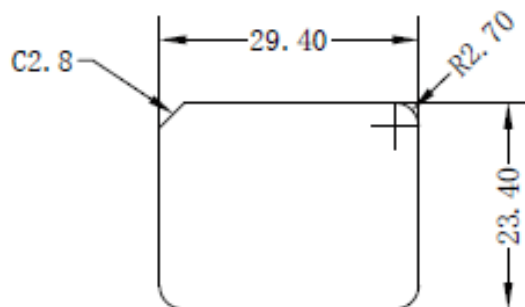
FCC ID: 2A8OE-FST200

Xiamen Four-Faith Communication Technology Co., Ltd

www.fourfaith.com

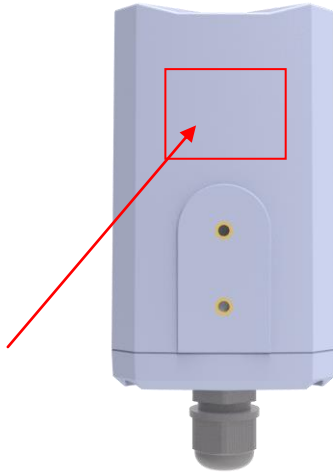


Label Size:



Label location:

Battery Version:



DC Power Version:

