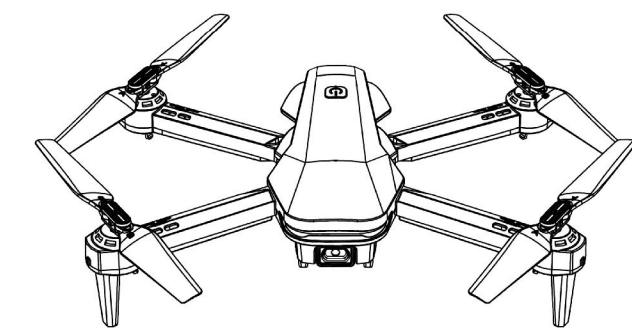


INSTRUCTIONS FOR USE



FOLDABLE PORTABLE

CATALOGUE

- Disclaimer & Warning 1 - 3
- Parts List 4
- Drone/Remote Controller Introduction 5
- Installation Guide 6 - 9
- 1. Propellers 6
- 2. Camera 7
- 3. Phone Holder 8
- 4. Drone Battery 9
- 5. Remote Control Battery 9
- Battery Charging Guide 11 - 14
- Flight Operation Instruction 11 - 12
- 1. Pre-flight Settings 11
- 2. One-Key Take-off/Landing/Emergency Landing 12
- 3. Manual Landing 14
- 4. Flight Control 14
- Product Function Analysis 15 - 19
- 1. Forward/Backward Fine-Tuning 15
- 2. Fly Left/Fly Right Fine-Tuning 16
- 3. Speed Switch 16
- 4. Circle Fly 17
- 5. 360° Flip 17
- 6. Headless Mode 18 - 19
- APP Installation and Operation 20
- Basic Parameter Information 21

TSRC

WARNING NOTE

In order to ensure the requirements of the electromagnetic environment of aviation radio stations (stations), the use of various model remote controls is prohibited in the area with the center point of the airport runway as the center of the circle and the radius of 5,000 meters. During the period of radio control orders issued by relevant state departments, the use of model remote control shall be stopped as required.

DISCLAIMER AND SAFETY GUIDELINES

In order to make it more convenient and safe for you to use this product, please read all contents of this manual carefully before using this product, and keep this manual for future reference.

DISCLAIMER AND SAFETY GUIDELINES

1. In order to protect the legitimate rights and interests of users, please be sure to carefully read the instructions, disclaimers and safety instructions provided by us before using this product.
 2. This product is not suitable for use by persons under the age of 14. Persons under the age of 14 must use under the supervision and guidance of adults with UAV flying experience.
 3. Once you start to use this product, you shall be deemed to have read, understood, recognized and accepted all terms and contents of the instructions, disclaimers and safety instructions of this product.
 4. In the process of using this product, please be sure to strictly abide by and implement the requirements including but not limited to the instructions and safety instructions. For all personal injuries, accidents, property losses, legal disputes, and other adverse events causing conflicts of interest caused by violations of the use behavior or force majeure factors indicated in the safety instructions, the user shall bear the relevant responsibilities and losses, and our company and the agent shall not be liable for any.
 5. Users use this product directly or indirectly for any violation of legal provisions, our company and the agent will not be responsible.

TSRC

SAFETY GUIDELINES

1. This product is not suitable for use by persons under the age of 14 and others who do not have full capacity for civil conduct.
 2. This product has high-speed rotating propeller and powerful flight power, which has certain risks during operation. Do not approach and touch the product while it is in operation.
 3. When using this product, please stay away from airports, railways, highways, high-rise buildings, power lines and other dangerous environments.
 4. When using this product, please stay away from mobile phone base stations, high-power transmitting equipment and other high electromagnetic interference environment.
 5. When using this product, please stay away from all kinds of named aircraft.
 6. Do not use this product in rain, thunder, dust, fog, snow, wind, low temperature and other harsh environment.
 7. This product is not waterproof design, do not operate this product near the water.
 8. When operating this product, please always maintain a safe distance of about 10 meters between the drone and people or animals.
 9. Please keep the drone within the operator's visual range at all times.
 10. Do not hover or fly this product over the crowd, do not frighten others for fun.
 11. Do not operate this product near places where children play.
 12. Do not use this product to chase vehicles or affect the normal operation of vehicles.
 13. In non-emergency situations, do not turn off the motor when the product is flying in the air.
 14. This product can not be used in the case of tobacco and alcohol, fatigue, taking drugs, physical discomfort, etc.
 15. Please check this product before each use, including but not limited to the solidity of parts, cracks and wear of the body and propeller, battery power, the effectiveness of the indicator light, etc. If any exception is found, stop using it immediately and replace the corresponding parts.
 16. The abnormal working status of the drone may have an accident, do not start the propeller or reluctantly fly.

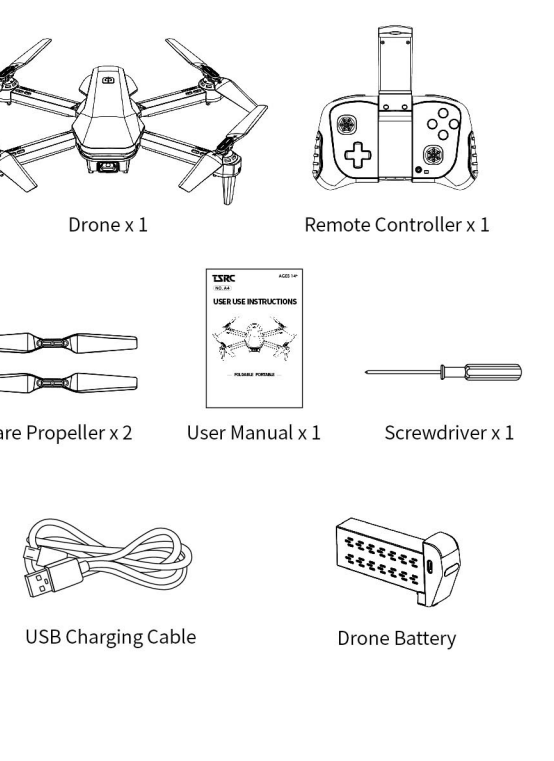
TSRC

SAFETY GUIDELINES

17. Do not attempt to block any moving parts in the operation of this product.
 18. Do not modify this product, or use this product for purposes other than the original design.
 19. Do not operate this product in the no-fly zone of laws and regulations.
 20. Due to the variety of materials used in the aircraft, high temperature will damage the internal structure of the drone, and lead to unpredictable consequences, so please keep the drone equipment away from heat sources and avoid exposing the drone to direct sunlight for a long time.
 21. Please follow the product instructions to operate.
 22. Please use the original parts for maintenance and replacement.
 23. Lend to other personnel for operation, please ensure that the operator understands and complies with this safety notice.
 24. Do not mix different types of batteries.
 25. Do not use expanded, leaked or damaged batteries.
 26. Do not be near flammable materials (such as carpets, solid wood furniture and wood floors, etc.) when the battery is charging.
 27. Please use the original configuration of the charging cable charging, do not use other brands and damaged charging cable charging.
 28. Please keep a safe distance from the high-speed rotating propeller, so as to avoid the risk of strangling and cutting.
 29. Do not use the model near the ear! Misuse can lead to hearing damage.
 30. The aircraft should be used as far away from other electrical equipment and magnetic objects as possible, they may cause interference with each other.
 31. Please do not short circuit, squeeze the battery, so as to avoid explosion.
 32. The motor is a heating part, do not touch, so as to avoid the risk of burns.

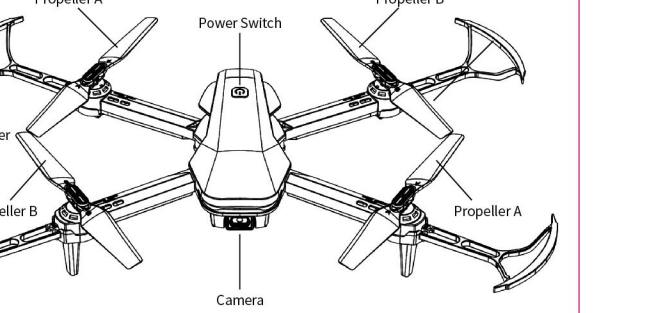
TSRC

PARTS LIST

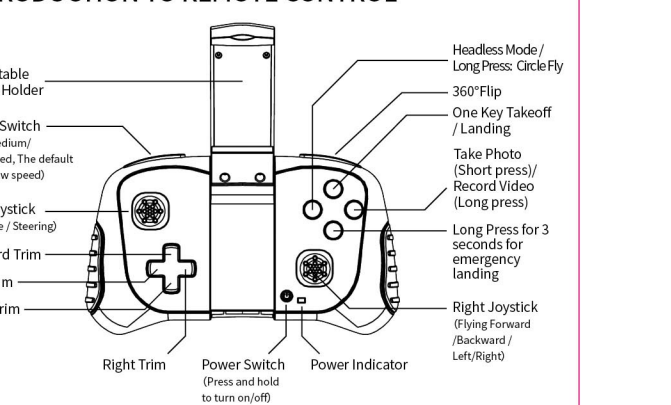


TSRC

INTRODUCTION TO DRONE

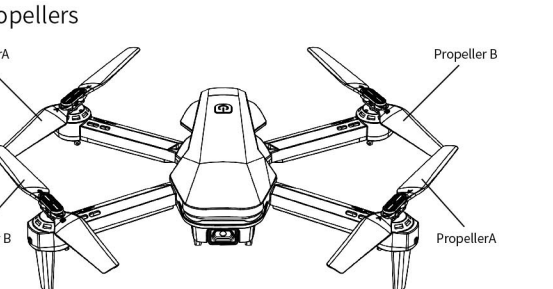


INTRODUCTION TO REMOTE CONTROL

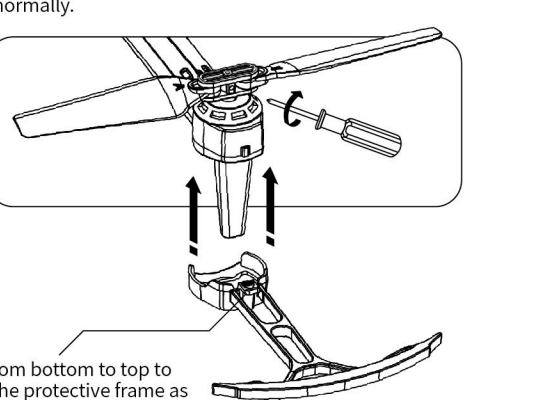


TSRC

INSTALLATION GUIDE

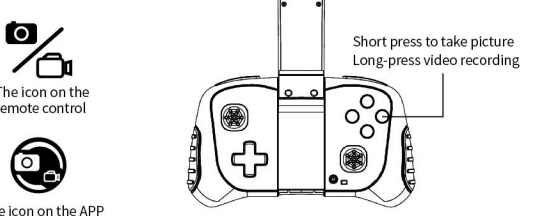


Please follow the diagram to ensure that all propellers are installed in the correct orientation, if the installation is wrong, the aircraft will not fly normally.



TSRC

Camera

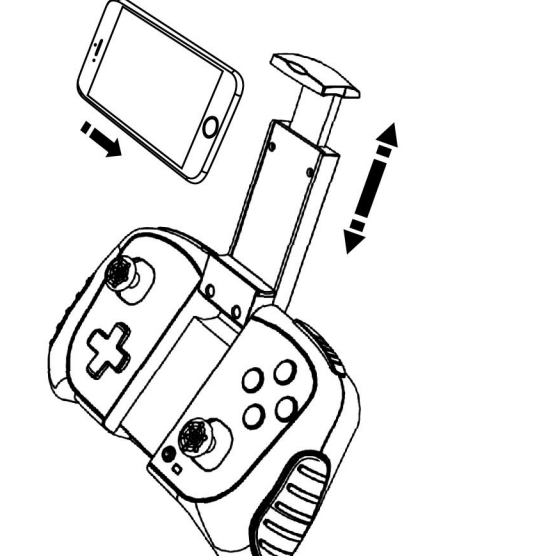


1. Tap the "Camera" button on the remote control, or click the "Camera" button on the APP interface. When you hear the sound prompt, the APP makes a "click" sound, indicating that the camera takes a photo.
 2. Long press the "Camera" button on the remote control, or click the "Camera" button on the APP, hear the sound prompt, and the APP will display the recording timing, indicating that the camera is recording.
 3. Long press "Camera" on the remote control again or click "Camera" on the APP to stop recording and save the video to the APP. (Please do not take pictures when recording)

Attention:
 When using the "TSRC" APP, the original pictures and videos captured by the camera will be compressed and saved to the phone.

TSRC

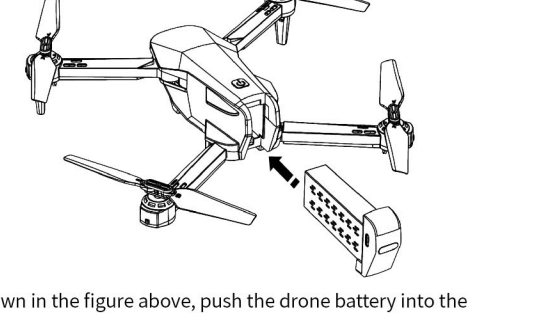
Phone Holder



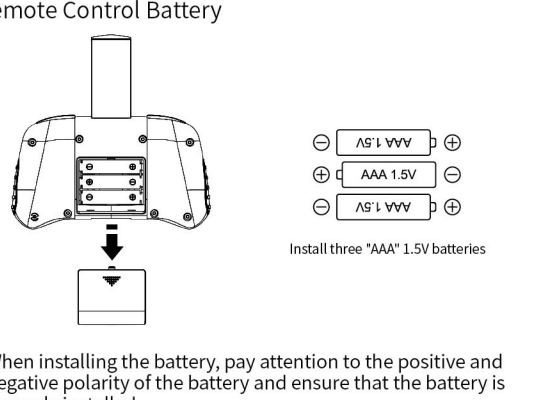
As shown in the figure above, the mobile phone is fixed on the mobile phone bracket of the remote control, and the length of the remote control bracket can be stretched and adjusted according to the size of the mobile phone until the mobile phone can be securely fixed on the bracket.

TSRC

Drone Battery



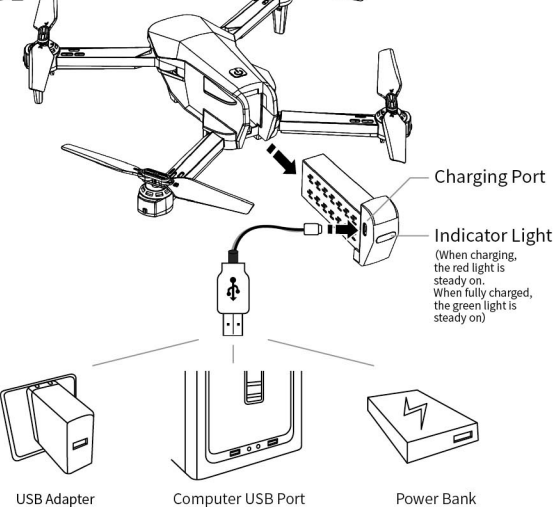
As shown in the figure above, push the drone battery into the battery compartment at the rear of the fuselage.



When installing the battery, pay attention to the positive and negative polarity of the battery and ensure that the battery is properly installed.

TSRC

BATTERY CHARGING GUIDE

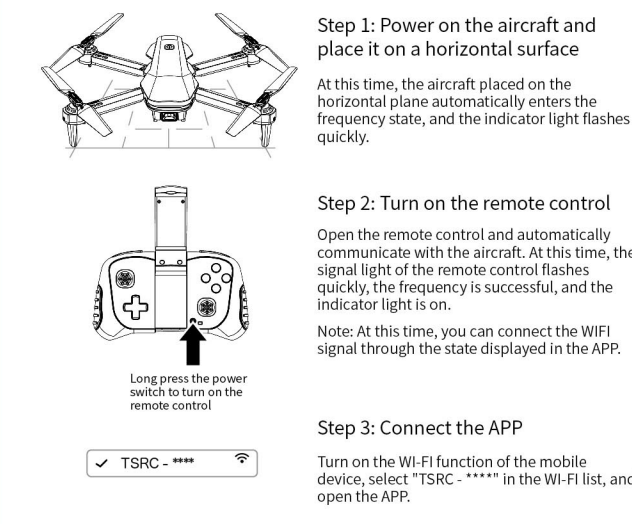


1. As shown in the figure above, connect the USB charging cable to the charging port of the drone. The USB charging cable can be connected to a power bank, a computer USB port or a USB charging adapter (5V/1.5-2.0A) for charging.
 2. When the battery is charging, the indicator light on the battery is red; when the battery is fully charged, the indicator is steady green.
 3. The charging time of the aircraft battery is about 2 hours (depending on the charging power source).
 Notice:
 When the drone is in low power, the APP and remote control will prompt "beep", "beep" and "beep". At this time, please stop flying as soon as possible and charge the battery of the drone. Before charging, please read the relevant prompt content of safety instructions to avoid unnecessary losses!

TSRC

FLIGHT OPERATION INSTRUCTION

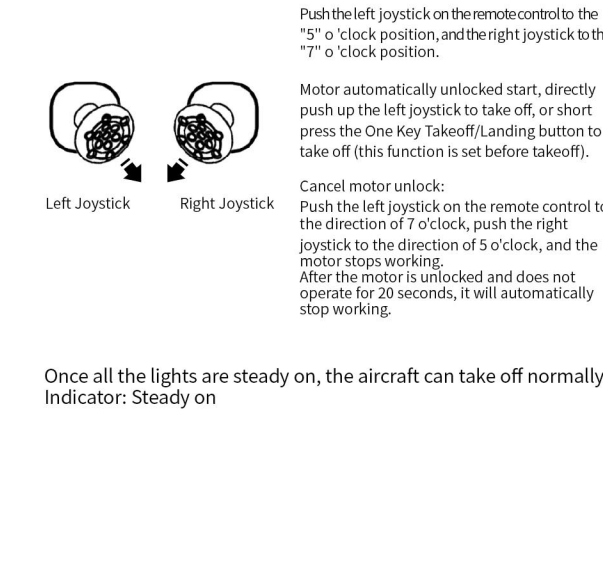
Pre-flight Settings



Step 1: Power on the aircraft and place it on a horizontal surface. At this time, the aircraft placed on the horizontal plane automatically enters the frequency state, and the indicator light flashes quickly.
 Step 2: Turn on the remote control. Open the remote control and automatically communicate with the aircraft. At this time, the signal light of the remote control flashes quickly, the frequency is successful, and the indicator light is on.
 Step 3: Connect the APP. Turn on the Wi-Fi function of the mobile device, select "TSRC" in the Wi-Fi list, and open the APP.
 Step 4: Compass calibration. Push the left joystick of the remote control to the "9 o'clock" position, and the right joystick to the "3 o'clock" position. Display status on APP, enter compass calibration.

TSRC

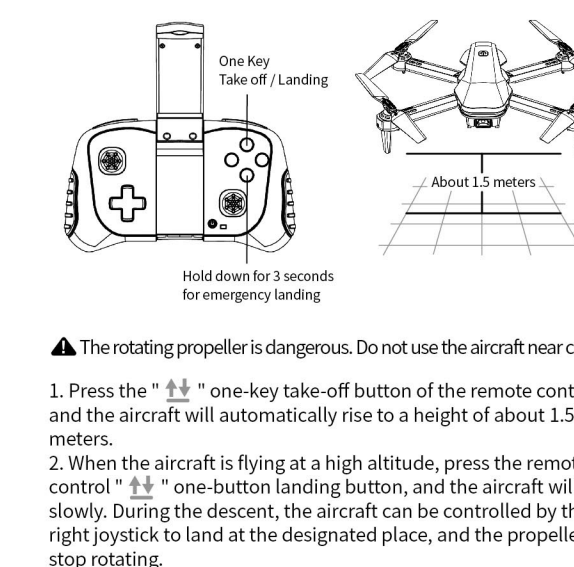
One-Key Take-off/Landing/Emergency Landing



Once all the lights are steady on, the aircraft can take off normally. Indicator: Steady on.
 Note: At this time, you can connect the WIFI signal through the state displayed in the APP.

TSRC

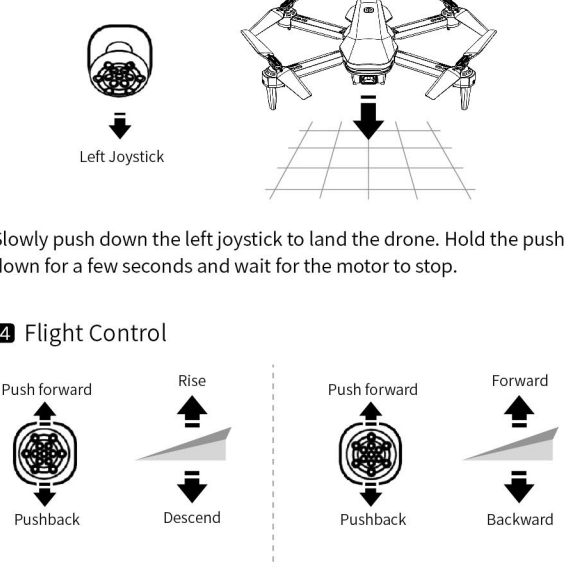
One-Key Take-off/Landing/Emergency Landing



The rotating propeller is dangerous. Do not use the aircraft near crowds.
 1. Press the "One-Key Take-off/Landing" button on the remote control, and the aircraft will automatically rise to a height of about 1.5 meters.
 2. When the aircraft is flying at a high altitude, press the remote control "One-Key Take-off/Landing" button, and the aircraft will land slowly. During the descent, the aircraft can be controlled by the right joystick to land at the designated place, and the propeller will stop rotating.
 3. Long press the "Emergency Stop" button of the remote control for 3 seconds to enter the emergency landing mode.
 Use the emergency stop function only in critical situations, thus reducing loss and damage.

TSRC

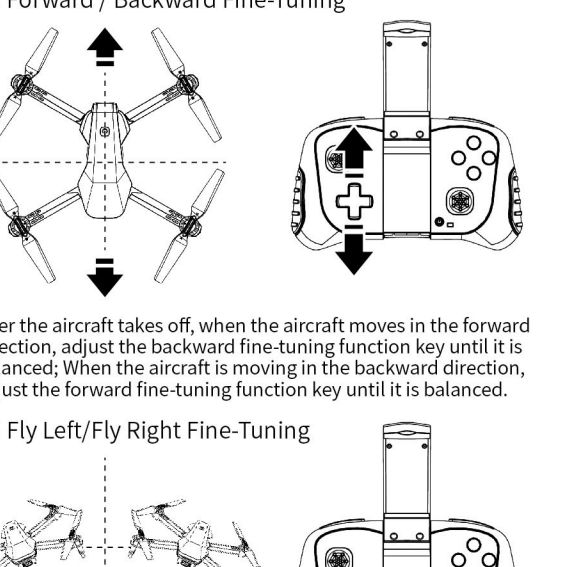
Manual Landing



Slowly push down the left joystick to land the drone. Hold the stop button for a few seconds and wait for the motor to stop.

TSRC

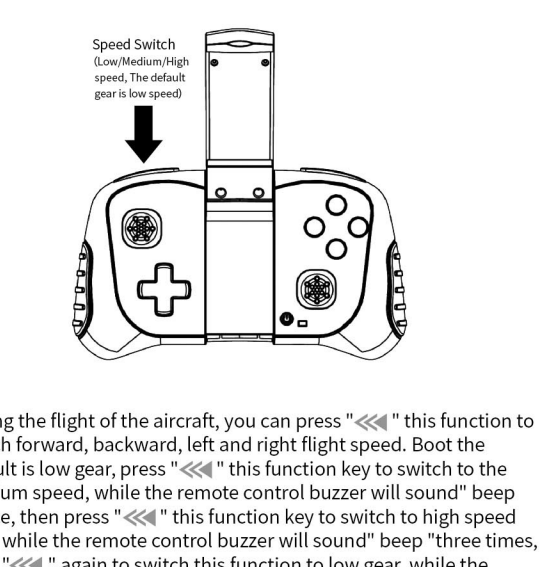
Product Function Analysis



After the aircraft takes off, when the aircraft moves in the forward direction, adjust the backward fine-tuning function key until it is balanced; When the aircraft is moving in the backward direction, adjust the forward fine-tuning function key until it is balanced.
 After the aircraft takes off, when the aircraft shifts in the left direction, adjust the right fine-tuning function key until it is balanced; When the aircraft is moving in the right direction, adjust the left fine-tuning function key until it is balanced.

TSRC

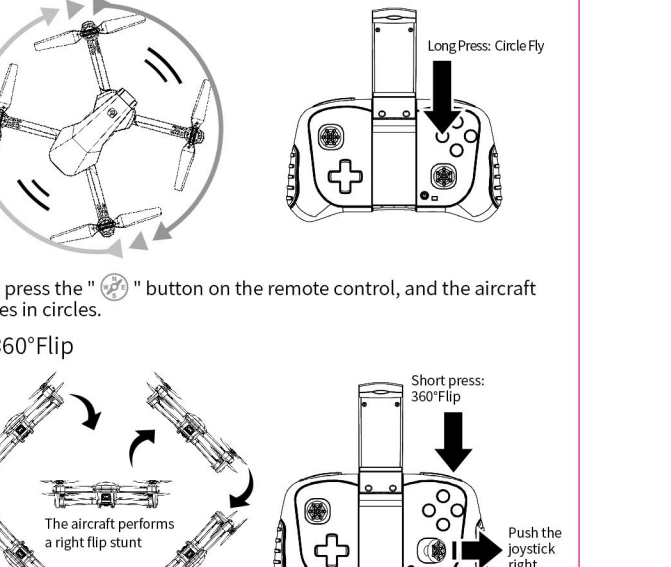
Speed Switch



During the flight of the aircraft, you can press "Speed Switch" function to switch forward, backward, left and right flight speed. Boot the default is low gear, press "Speed Switch" this function key to switch to the medium speed, while the remote control buzzer will sound "beep" twice, then press "Speed Switch" this function key to switch to high speed gear, while the remote control buzzer will sound "beep" three times. Click "Speed Switch" again to switch this function to low gear, while the remote control buzzer beeps "beep".
 Tip: The default gear is low speed.

TSRC

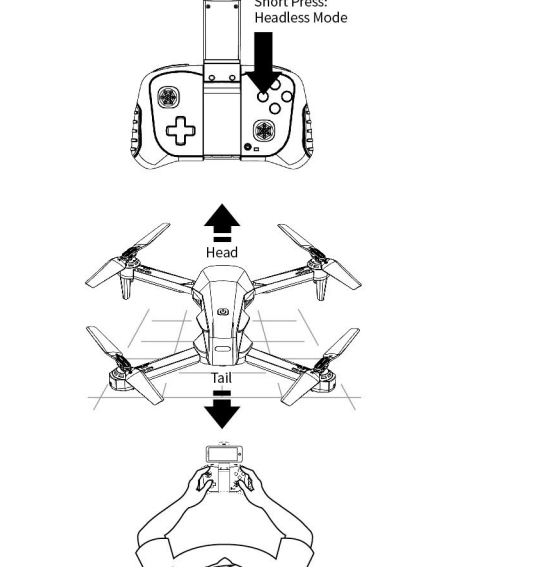
Circle Fly



Long press the "Circle Fly" button on the remote control, and the aircraft will perform a circle fly.
 360° Flip: Press the "360° Flip" button, the buzzer on the remote control will make a "beep beep" sound, then push the right joystick to the right, as shown in the figure, the aircraft will perform the corresponding right roll action with the right direction of the push (The same goes for the front, back, left, and right directions), and the sound disappears at the same time, and it enters the normal mode.

TSRC

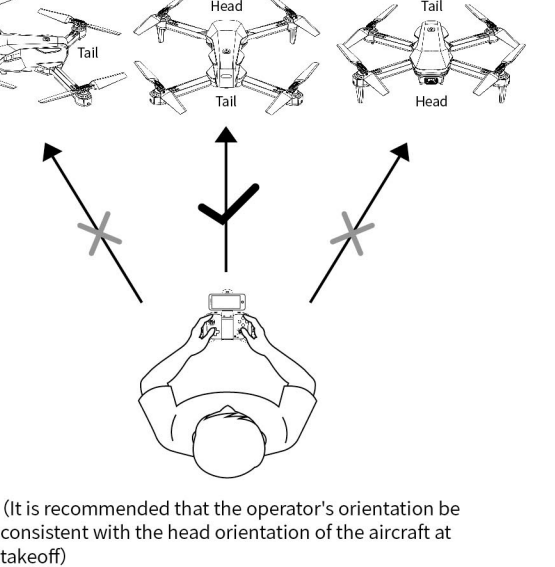
Headless Mode



After frequency and level calibration, short press the "Headless Mode" button on the remote control, and the aircraft enters the "headless mode". After entering headless mode, the indicator light of the aircraft flashes. Press the "Headless Mode" button again to exit the "Headless mode".

TSRC

Headless Mode



In headless mode, the forward direction of the aircraft is determined by the head direction of the aircraft when it takes off. We recommend that the orientation of the operator be consistent with the orientation of the aircraft take-off head. When the operator pushes the direction joystick forward, the drone will fly forward; if the operator pushes the direction joystick backward, the drone will fly towards the operator; If the operator moves the direction joystick left/right, the drone moves left and right relative to the operator.

TSRC

APP INSTALLATION AND OPERATION



Applicable mobile system version: IOS 7.0 or later / Android 4.4 or later.
 Wi-Fi Connection: First turn on the aircraft, then turn on the smartphone, and enter the phone's Settings screen to start the search for available Wi-Fi networks. If you are using an iPhone, select "Settings" -> WLAN; If you are using Android, select Settings -> Wireless and Networking -> Wi-Fi. Select the Wi-Fi signal named "TSRC" and connect. After the Wi-Fi signal is successfully connected, the connection between the aircraft and the phone will be automatically established. At this point, exit the Settings menu and enter the installed "TSRC" APP application. In the APP operation interface, you can see the current status of the aircraft and perform corresponding operations.

TSRC

BASIC PARAMETER INFORMATION

AIRCRAFT MODEL: A4 WEIGHT: 150g MOTOR MODEL: B10 OPERATING TEMPERATURE: 0°C to 40°C	AIRCRAFT BATTERY CAPACITY: 1200mAh VOLTAGE: 3.7V BATTERY TYPE: Lithium battery POWER: 4000 CHARGING TIME: about 120 minutes (Depends on the charging power supply and the remaining battery power) CHARGING TEMPERATURE: 5°C - 40°C
REMOTE CONTROL Operating frequency: 2.4GHz Battery type: AA/1.5V battery Operating temperature: 0°C to 40°C	USB CHARGING CABLE VOLTAGE: 5V/1.5-2.0A RATED POWER: <10W

TSRC

NOTE: This equipment has been tested and found to comply with the limits for a Class B digital device, pursuant to part 15 of the FCC Rules. These limits are designed to provide reasonable protection against harmful interference in a residential installation. This equipment generates, uses and can radiate radio frequency energy and, if not installed and used in accordance with the instructions, may cause harmful interference to radio communications. However, there is no guarantee that interference will not occur in a particular installation. If this equipment does cause harmful interference to radio or television reception, which can be determined by turning the equipment off and on, the user is encouraged to try to correct the interference by one or more of the following measures:

- Reorient or relocate the receiving antenna.
 - Increase the separation between the equipment and receiver.
 - Connect the equipment into an outlet on a circuit different from that to which the receiver is connected.
 - Consult the dealer or an experienced radio/TV technician for help.
- Changes or modifications not expressly approved by the party responsible for compliance could void the user's authority to operate the equipment.