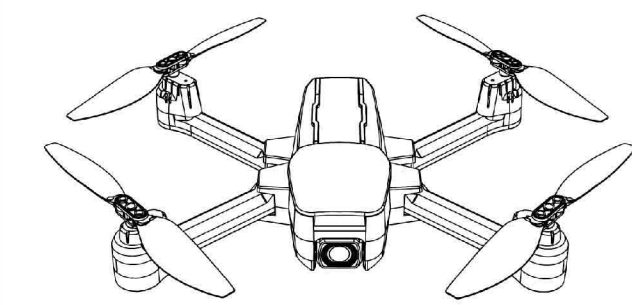


USER USE INSTRUCTIONS



FOLDABLE PORTABLE

CONTENTS

Disclaimer of warranties and safety must be known 1-3
 Components column table 4
 Introduction to Flyer / Remote Controller 5
 Pretend to be a guide 6-9
 1. Spin the paddle 6
 2. Photography 7
 3. Mobile phone support 8
 4. The flying machine battery 9
 5. Remote control battery 9
 Battery charging instructions 10
 Flying exercises are guided 11-14
 1. Placement before flying 11-12
 2. One key to fly / drop / tight drop 13
 3. Hand movements fall 14
 4. Flight control 14
 Product function analysis 15-19
 1. Forward / Backward Fine-tuning 15
 2. Fly left / Fly right fine-tune 16
 3. Speed cut 17
 4. Circle in place 17
 5. Ring around flying 17
 6. Headless 18-19
 A P P Installation and operation 20
 Basic parameter information 21

TSRC

▲ A WARNING DESCRIPTION

In order to ensure the requirements of people under the age of 14 and others who are not competent for the full capacity of civil air soldiers. This product has a high-speed rotating propeller and a strong flying force, which is used in operation. There is a certain degree of danger. Do not approach and touch the product while it is being transported. When using this product, please stay away from the customs department, the mode should be stopped as required remote instrument.

DISCLAIMER OF WARRANTIES AND SAFETY MUST BE KNOWN

To make your use of this product more expeditious and safe, please be do so before using it carefully read all the contents of this handbook and keep it for later reading.

DISCLAIMER OF WARRANTIES AND SAFETY MUST BE KNOWN

1. In order to protect the legitimate rights of users, please read carefully before using this product we attach an instruction manual, disclaimer and safety instructions provided by this product.
 2. This product is not suitable for use by people under 14 weeks of age, and must be used by people under 14 weeks of age if it is used under the guidance of adult supervisors with or without man-machine flight experience.
 3. Once you start using this product, and deemed that you have read, understood, recognized and accepted this product full text and content of the explanatory note, disclaimer and safety must be known.
 4. In the process of using this product, please strictly abide by and implement the included but unlimited in the Explanatory book and in Safety, you must know the requirements. For violations of security, it is necessary to know the use of the instructions. Acts or acts may not be resistant to all human injuries, accidents, loss of property, and legal corrections caused by factors. The user is responsible for the conflict and other undesirable matters that create a conflict of interests. Ren and loss, our company and the agent do not live up to any of your responsibilities.
 5. The user uses the product to produce hundreds of or indirect occurrences in violation of the provisions of the law, our company and the agency are not responsible for any responsibility.

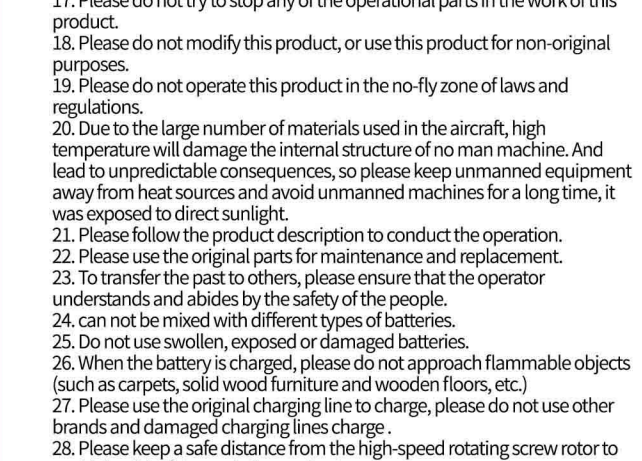
TSRC

SAFETY MUST BE KNOWN

1. This product is not suitable for people under the age of 14 and others who are not competent for the full capacity of civil air soldiers.
 2. This product has a high-speed rotating propeller and a strong flying force, which is used in operation. There is a certain degree of danger. Do not approach and touch the product while it is being transported.
 3. When using this product, please stay away from the airport, railway, high-speed bus, high rise building, power line, etc dangerous environment.
 4. When using this product, please stay away from the mobile phone base station, high magnetic interference such as high power transmission equipment the environment.
 5. When using this product, please stay away from various manned flyers.
 6. Please do not use it in bad environments such as rain, lightning, sand, fog, snow, wind, and low temperature this product.
 7. This product is not a water-proof design, please do not attach this product to the water area.
 8. When operating this product, please always maintain the left and right of 10 meters between main machine and human or animal safe distance away.
 9. Please always keep no manned machine flying within the scope of the operator's vision.
 10. Do not hover or loop over the crowd of people, please do not take pleasure in frightening others.
 11. Please do not make this product in the field where a few children play.
 12. Please do not use this product to pursue the normal operation of traffic tools or influence communication tools.
 13. In non-urgent situations, please do not turn off the power-off machine when the machine is flying in the air.
 14. This product should not be used under conditions such as tobacco and alcohol, fatigue, taking medicines, and physical discomfort. Please inspect this product before each use, including but not limited to the firmness of spare parts.
 15. Solidify, cracks and wear on the body and propeller, battery capacity, effectiveness of the indicator light, etc when you find abnormalities, stop using them immediately and swap them.
 16. Abnormal work conditions of no human machine may be unexpected, do not start spinning strong flying line.

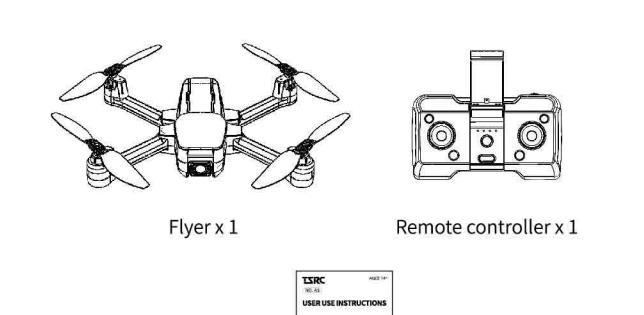
TSRC

INCLUDED IN PACKAGE

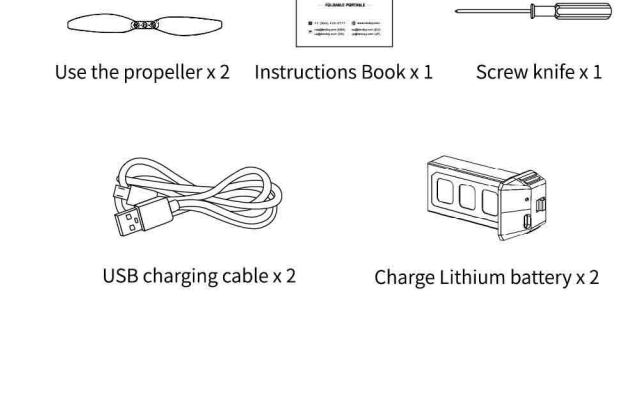


TSRC

INTRODUCTION TO FLYERS



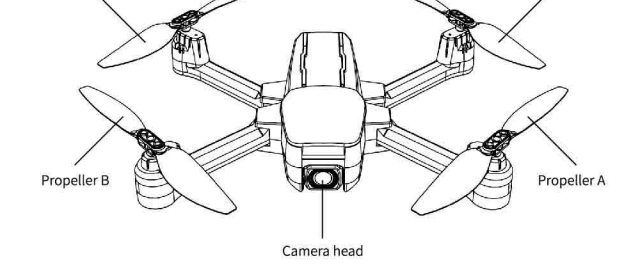
REMOTE CONTROLLER INTRODUCTION



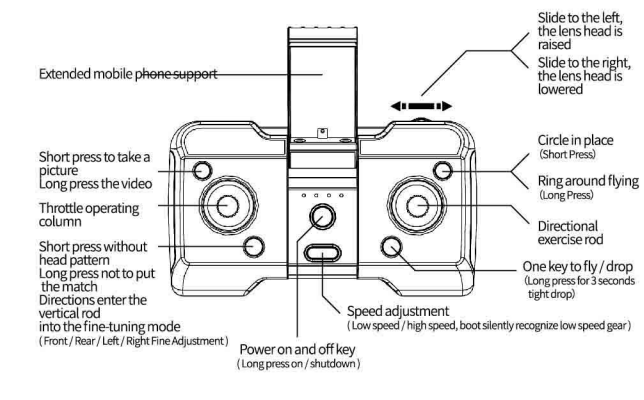
TSRC

FLIGHT INFORMATION

1 Propeller

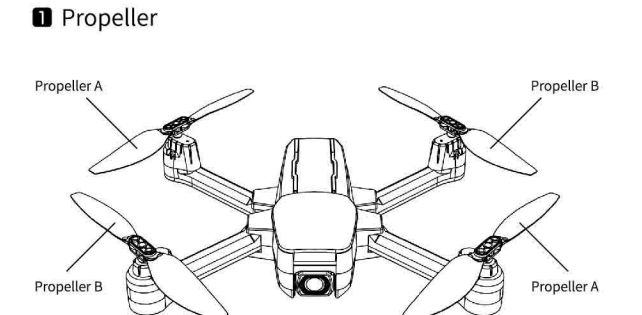


Please, according to the diagram, ensure that all the propellers are installed in the correct position, and if the installation is wrong, the flyer will not be able to fly normally.



TSRC

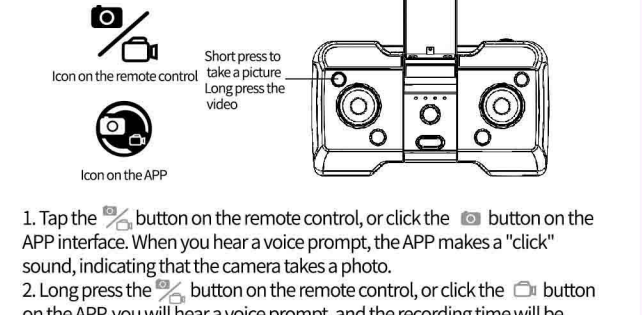
Camera head



1. Tap the button on the remote control, or click the button on the APP interface. When you hear a voice prompt, the APP makes a "click" sound, indicating that the camera takes a photo.
 2. Long press the button on the remote control, or click the button on the APP, you will hear a voice prompt, and the recording time will be displayed on the APP, indicating that the camera is recording.
 3. Long press on the remote control again or click on the APP to stop recording and save the video to the APP and TF card.
 Notes:
 When using the "TSRC" APP, the camera captures the original image and video are compacted and saved on the phone.
 4. The original pictures and videos captured by the camera will be saved on the TF card.
 Tap the TF card on the camera to remove the TF card. After loading the TF card into the mobile phone, connect the card reader to the USB port on the computer to read the data on the TF card. You can click the button on the APP to read the captured pictures and videos.

TSRC

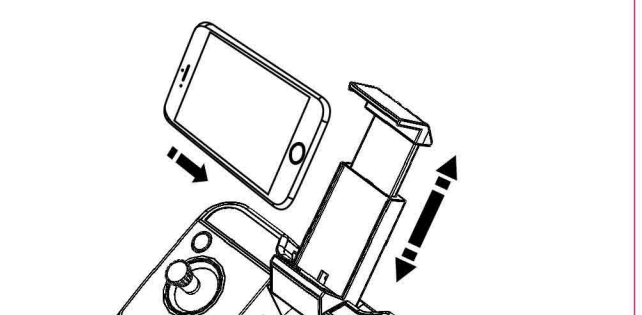
Mobile phone support



As shown in the figure above, the mobile phone is fixed on the mobile phone support frame of the remote machine, which can be based on the size of the mobile phone stretch the length of the support on the remote control to the point where the phone can be securely fixed to the support.

TSRC

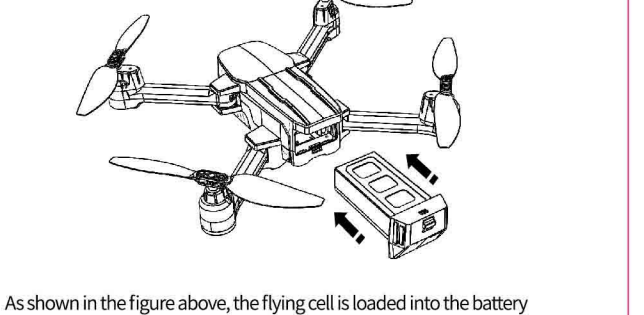
Installation battery



When installing the battery, please pay attention to the positive and negative polarity of the battery, and please ensure the correct installation of the battery.

TSRC

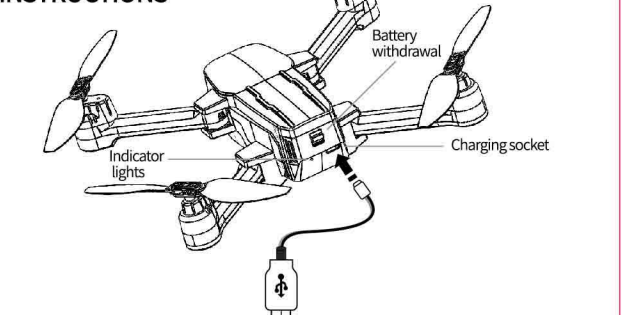
Remote control battery



When installing the battery, please pay attention to the positive and negative polarity of the battery, and please ensure the correct installation of the battery.

TSRC

BATTERY CHARGING INSTRUCTIONS



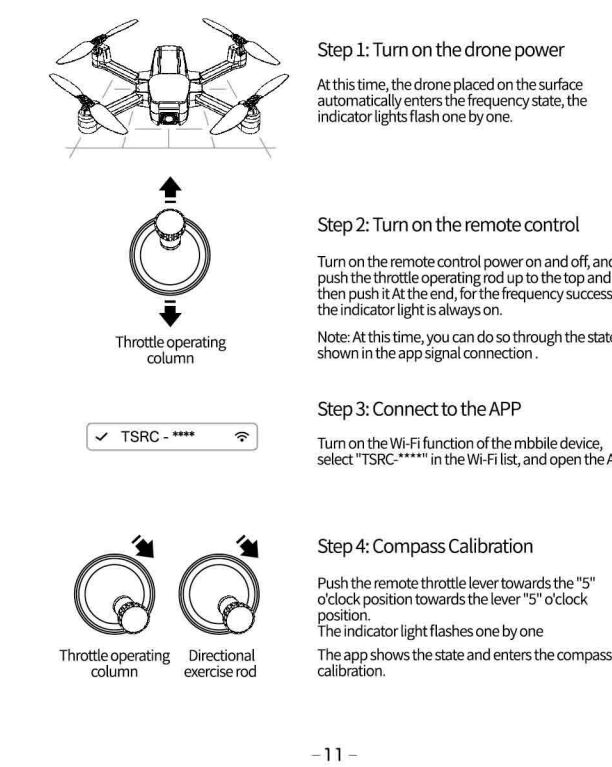
As shown in the figure above, the USB charging cable and the charging socket of the flying machine can be connected together. Connect to the charger, USB connector, or USB charging adapter (required).
 1. As shown in the figure above, the USB charging cable and the charging socket of the flying machine can be connected together. Connect to the charger, USB connector, or USB charging adapter (required).
 2. When the battery is charged, the indicator light on the battery is red; when the battery is full, the indicator light is always on.
 3. The charging time of the flying machine battery is about 3 hours, depending on the charging source.

Note:
 When the drone is at low power, the APP mentions "drop", "drop", "drop", please stop the flight as soon as possible, and charge the drone cell. Before charging, please read the relevant provisions that you need to know about safety!

TSRC

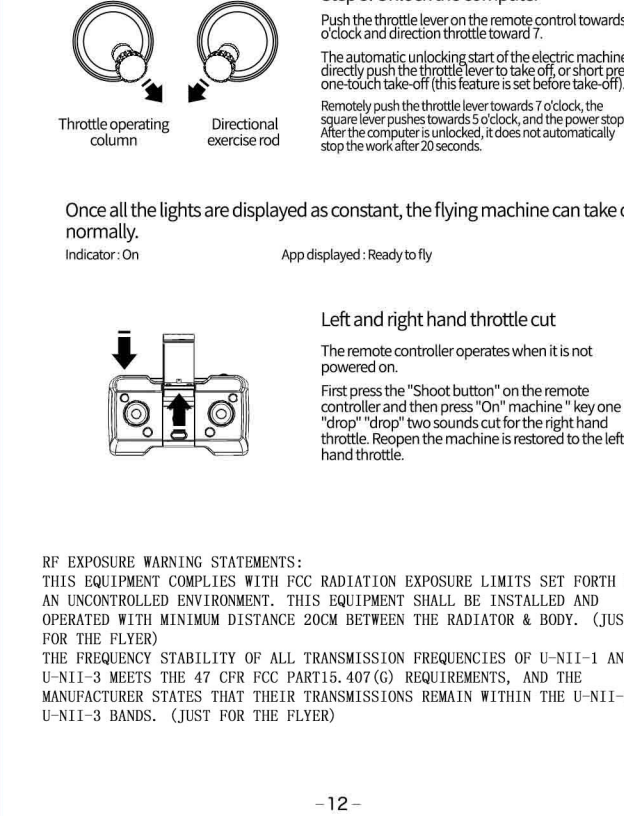
FLYING EXERCISES ARE GUIDED

1 Pre-flight settings



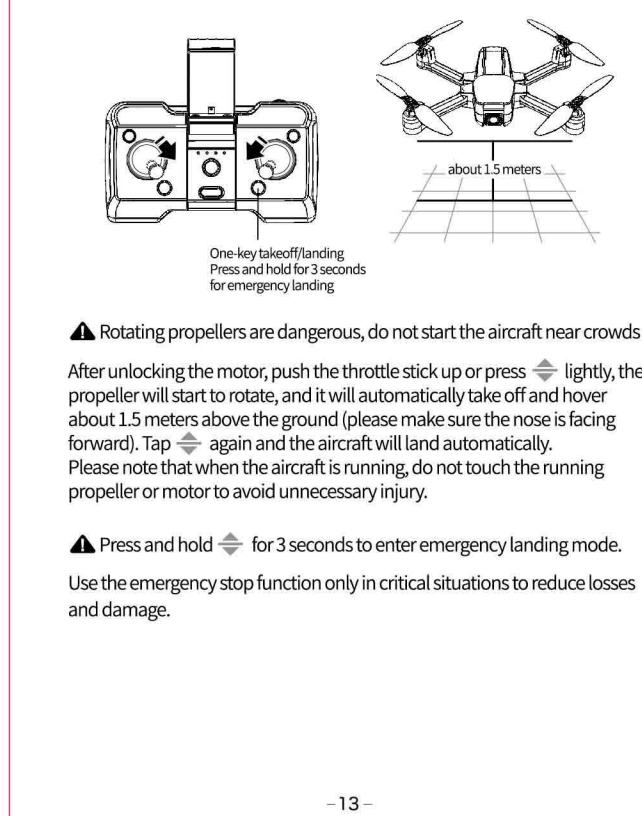
TSRC

2 One-key takeoff/landing/emergency landing



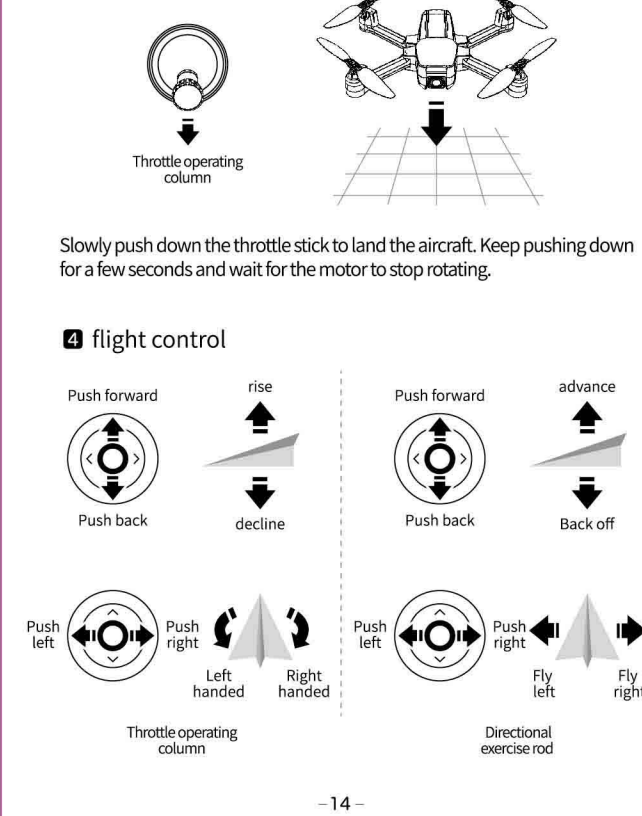
TSRC

3 Manual landing



TSRC

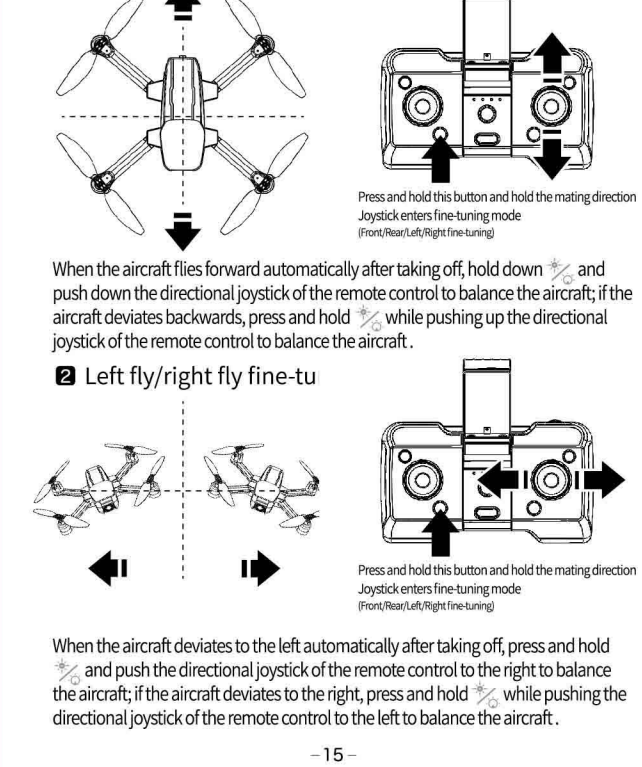
4 flight control



TSRC

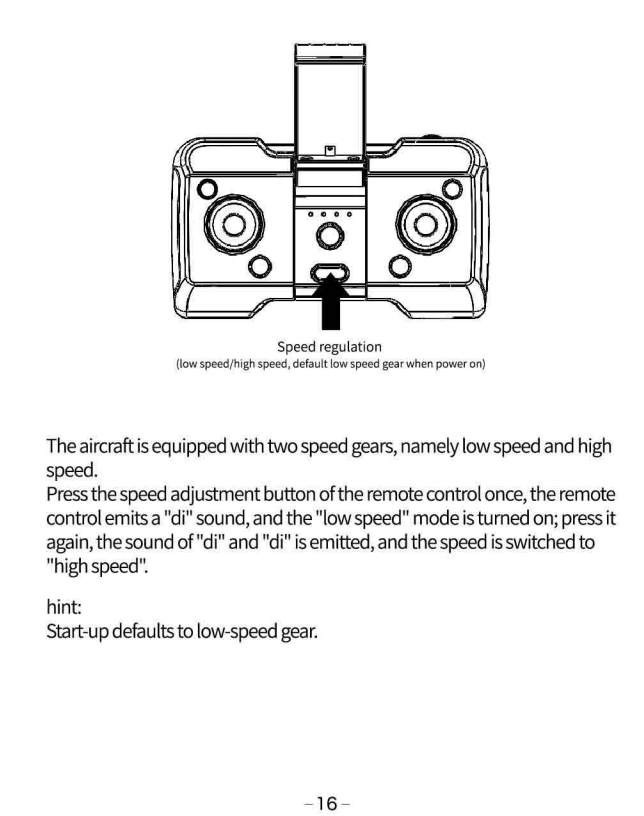
PRODUCT FUNCTION ANALYSIS

1 Forward/backward fine-tuning



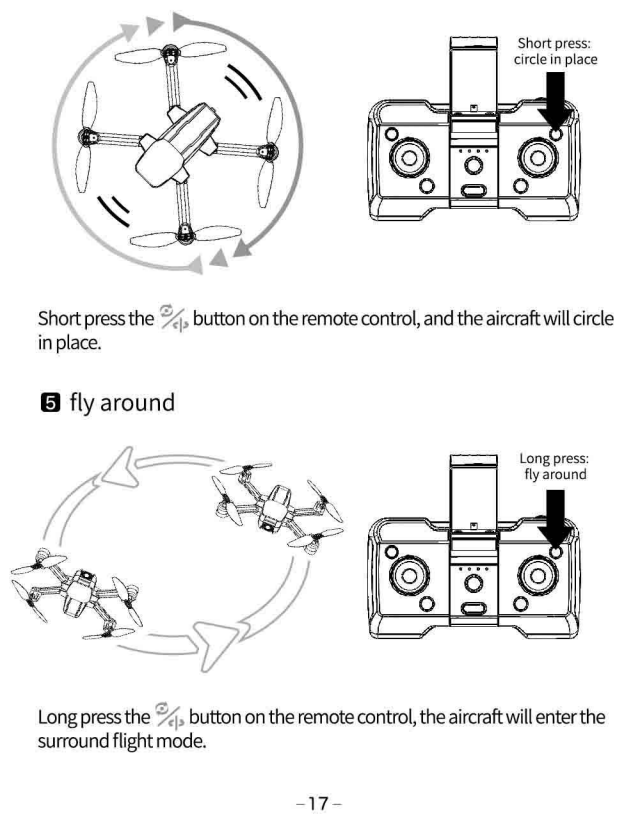
TSRC

2 Speed switch



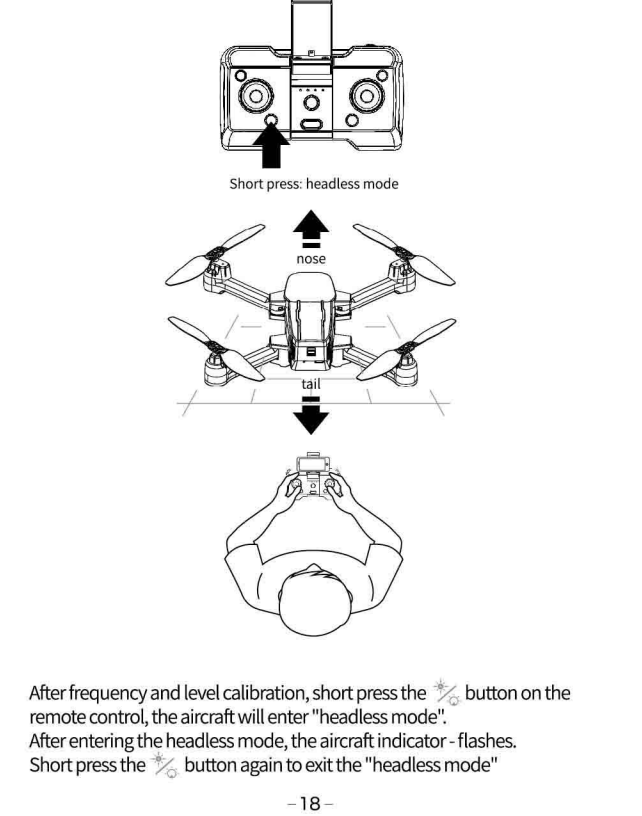
TSRC

3 Turn around



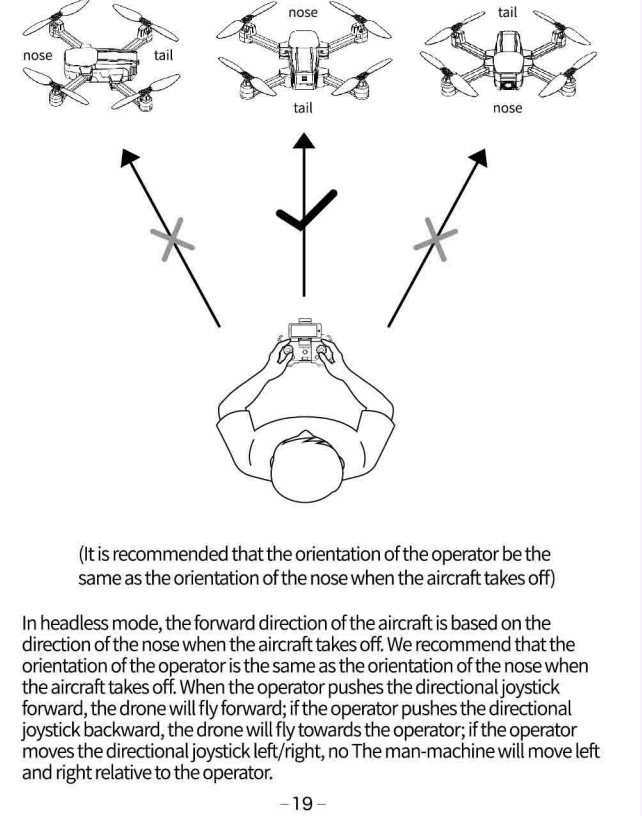
TSRC

4 headless mode



TSRC

5 fly around



TSRC

APP installation and operation APP



TSRC

BASIC PARAMETER INFORMATION

aircraft model: A3 weight: 175g motor model: 8020 operating temperature: 0° C - 40° C	aircraft battery capacity: 2000mAh Voltage: 3.7V Battery type: lithium battery Electricity: 3.1mAh Charging time: about 180 minutes (depending on the charging source and remaining battery power) charging temperature: 5° C - 40° C
remote control operating frequency: 2.4GHz Battery Type: AA 1.5 V battery (sold separately) operating temperature	USB charging cable voltage: 5V rated power: <10W
APP/real-time image transmission application: TSRC Real-time image transmission frequency: 5GHz 15M Real-time image transmission quality: 1080P 25fps Latency: Low latency (subject to availability and mobile device) Operating System: IOS 7.0 and above / Android 4.4 and above	photo format: JPE6 video format: MP4 operating temperature: 0° C - 40° C
Camera lens angle: FOV 120° / 2.0 photo resolution: HD1920 x 1080p (stored in TF card/mobile phone) Video resolution: HD1920 x 1080p (stored in TF card) HD1280 x 720p (stored on phone) maximum bit rate: 25Mbps Supported file formats: FAT32	

NOTE: THIS EQUIPMENT HAS BEEN TESTED AND FOUND TO COMPLY WITH THE LIMITS FOR A CLASS B DIGITAL DEVICE, PURSUANT TO PART 15 OF THE FCC RULES. THESE LIMITS ARE DESIGNED TO PROVIDE REASONABLE PROTECTION AGAINST HARMFUL INTERFERENCE IN A RESIDENTIAL INSTALLATION. THIS EQUIPMENT GENERATES USES AND CAN RADIATE RADIO FREQUENCY ENERGY AND, IF NOT USED IN ACCORDANCE WITH THE INSTRUCTIONS, MAY CAUSE HARMFUL INTERFERENCE TO RADIO COMMUNICATIONS. HOWEVER, THERE IS NO GUARANTEE THAT INTERFERENCE WILL NOT OCCUR IN A PARTICULAR INSTALLATION. IF THIS EQUIPMENT DOES CAUSE HARMFUL INTERFERENCE TO RADIO OR TELEVISION RECEPTION, WHICH CAN BE DETERMINED BY TURNING THE EQUIPMENT OFF AND ON, THE USER IS ENCOURAGED TO TRY TO CORRECT THE INTERFERENCE BY ONE OR MORE OF THE FOLLOWING MEASURES:

- REORIENT OR RELOCATE THE RECEIVING ANTENNA.
 - INCREASE THE SEPARATION BETWEEN THE EQUIPMENT AND RECEIVER.
 - CONNECT THE EQUIPMENT INTO AN OUTLET ON A CIRCUIT DIFFERENT FROM THAT TO WHICH THE RECEIVER IS CONNECTED.
 - CONSULT THE DEALER OR AN EXPERIENCED RADIO/TV TECHNICIAN FOR HELP.
- CHANGES OR MODIFICATIONS NOT EXPRESSLY APPROVED BY THE PARTY RESPONSIBLE FOR COMPLIANCE COULD VOID THE USER'S AUTHORITY TO OPERATE THE EQUIPMENT.