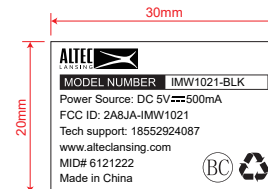
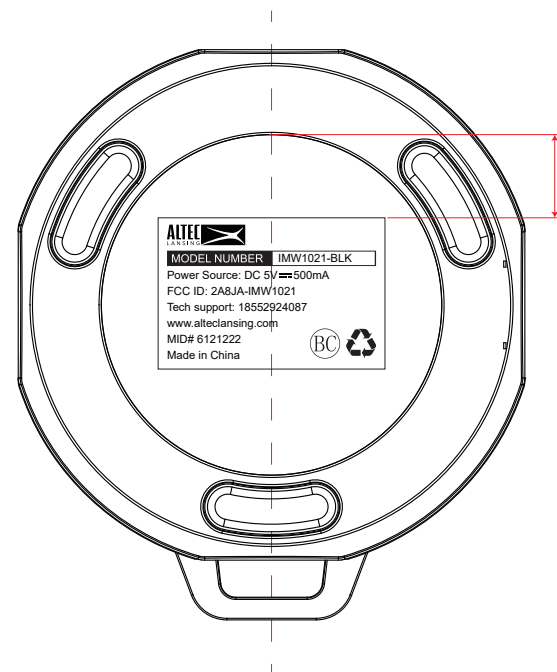


REV	Change Description	Changed By	Date
A0	首次发行	李鹏飞	20221116
B0	型号加颜色区分	李鹏飞	20221117



IMW1021(BK213)产品镭雕档案,尺寸:30*20mm, MID#随订单而变



字左右居中 (1:1)

FIRST ANGLE PROJECTION		DES BY	李鹏飞 2022/11/17		海豚通讯 (东莞) 有限公司 Dolphin Electronics (DongGuan) Co.,LTD	
GENERAL TOLERANCE	ANG DIMS	CHK BY			PART NAME	产品镭雕档案
0-6 ±0.05		APR BY		MODEL NAME	IMW1021/IMW1051	
6-15 ±0.08	X ±1°	SURFACE	/	DRAWING NO.	Y904XXXXX	
15-30 ±0.12	XX ±0.5°	UNIT:mm	ORIGINAL SIZE:A4	SCALE	4:1	
30-50 ±0.15	XXX ±0.3°	SHEET 1/1		MATERIAL	/	
50- ±0.20						