



Product Specification

A. Electrical Characteristics Frequency

2400MHz ~2500MHz VSWR <3.0

Efficiency >30%

Impedance 50 Ohm

Polarization Line

Gain 0.17DBi

B. Material & Mechanical Characteristics

Material of Radiator Cu

Cable Type 1.0 19P 黑色

Connector Type : NO

Dimension

C. Environmental

Operation Temperature - 30 °C ~ + 80 °C

Storage Temperature - 30 °C ~ + 85 °C

Test Equipment & Conditions

1. Network Analyzers :

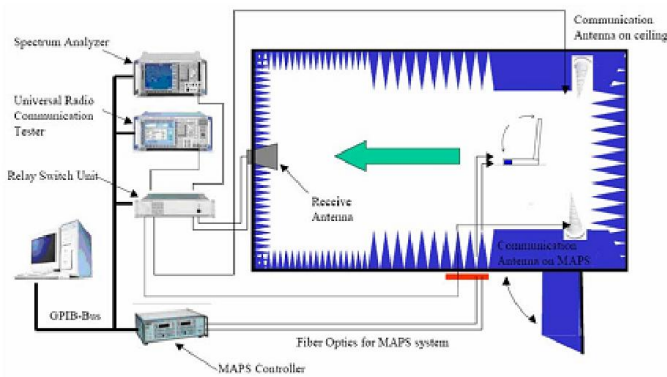
Agilent 8753D 5071B

2. Communications Test Set:

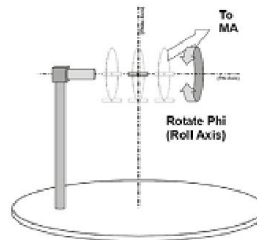
Agilent E5515C

3. 3D Chamber Test System

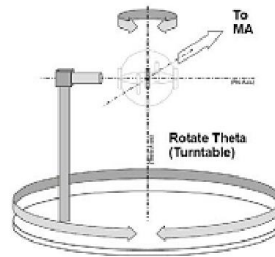
Efficiency & Gain



(Testing by 3D anechoic chamber)



Phi axis test

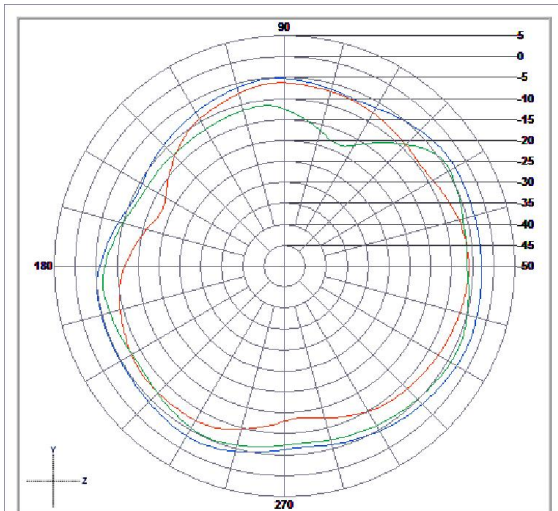


Theta axis test

Efficiency & Gain

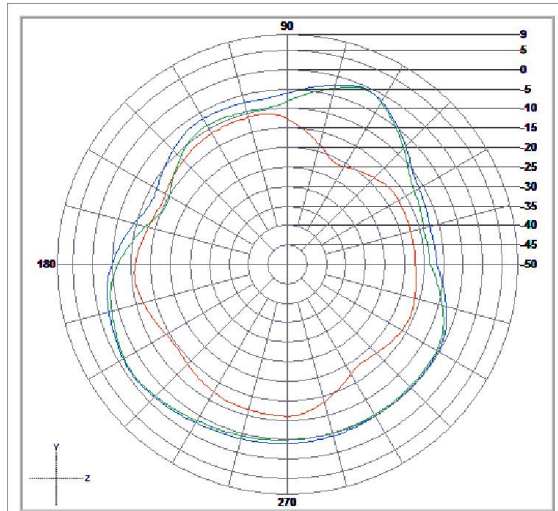
Radiation Pattern:

2.400G



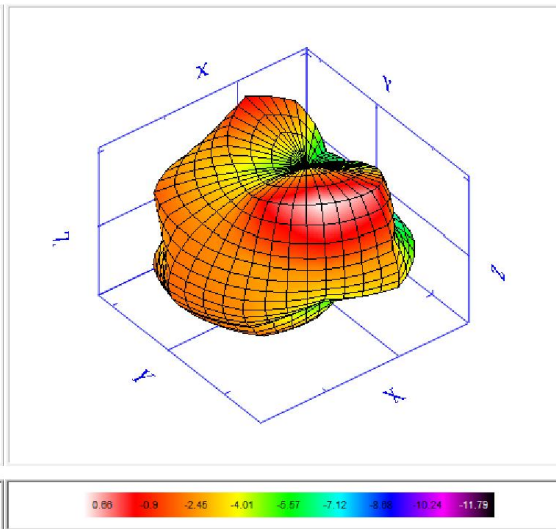
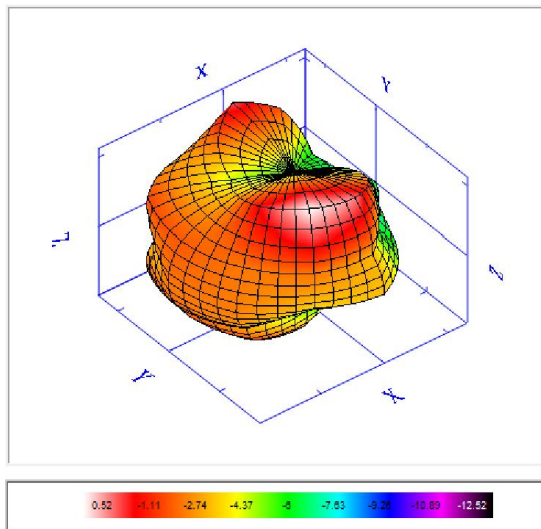
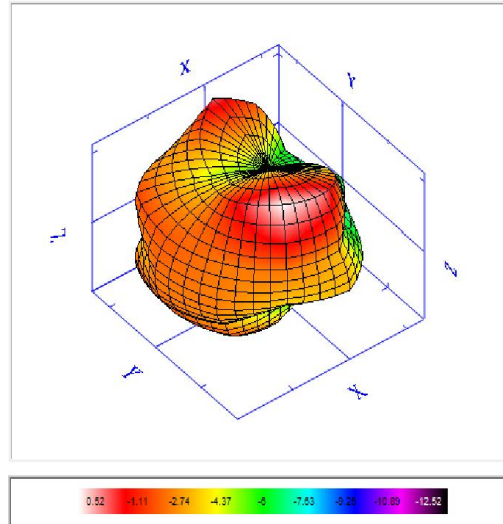
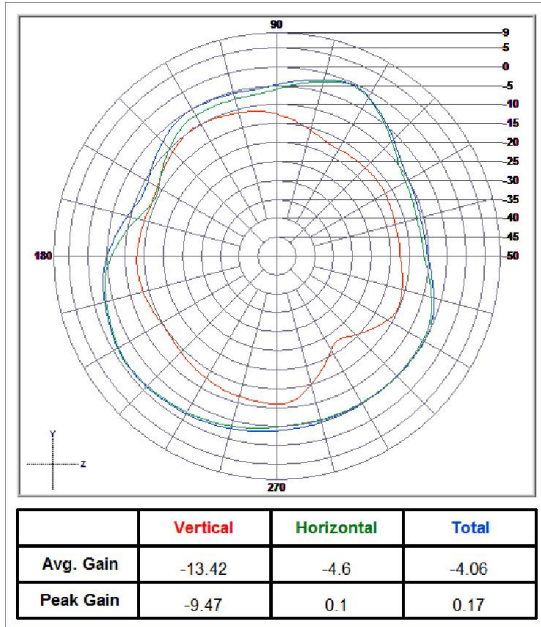
	Vertical	Horizontal	Total
Avg. Gain	-8.4	-6.99	-4.63
Peak Gain	-5.48	-3.77	-2.17

2.440G



	Vertical	Horizontal	Total
Avg. Gain	-13.34	-5.06	-4.46
Peak Gain	-10.3	0.09	0.12

2.480G



ANT PHTOT



L	W	H
38mm±0.2	2mm±0.1	2mm±0.1