



2.4GHz Wireless Gaming Headset

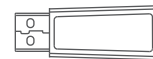
Dongguan Yiteng Intelligent Technology Co., LTD

Room 301, Building 5, Number 581 Bao Shi Road.

Qi'Shi Twon Dong Guan City GuangDong China.

Email: yiteng0307@163

Tel: +8613717182931



TA-5000

2.4GHz WIRELESS GAMING HEADSET Devote yourself to the world of music



TA-5000

Wireless 2.4GHz Gaming Headset

CONTENTS

Introduction	1
Product Overview	1
Headset Power/Mic Button	2
Headset Charging	3
Headset Connection	3-4
Troubleshooting Tips	4-5
Technical Specifications	5
Safety and Precautions	6

INTRODUCTION

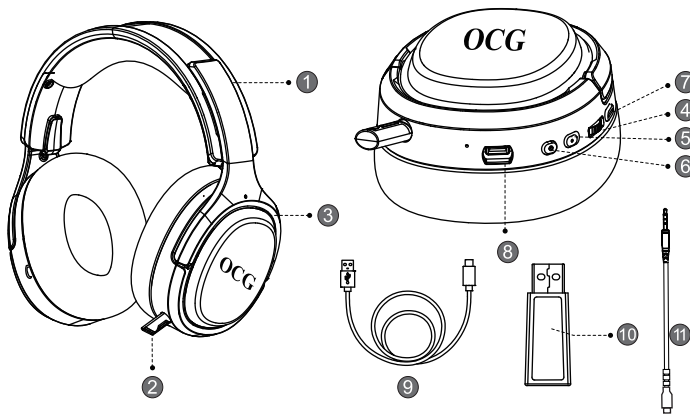
OCG TA5000 Wireless 2.4GHz Gaming headset, equipped with a 50mm high precision neodymium drivers and soft leatherette ear cups, which offers a particularly immersive sound quality, delivers you extreme gaming experience and greatly highlight your gaming atmosphere, born for every FPS! With the USB connection, it could be perfectly compatible with PC/laptop, PS4, Mac and other devices with USB port.



WARNING

To prevent possible hearing damage, do not listen at high volume levels for long periods.

PRODUCT OVERVIEW



- ① Adjustable Headband
- ② Retractable Microphone
- ③ RGB LED Light
- ④ Volume Wheel
- ⑤ Mic On/Off Button
- ⑥ Power Button

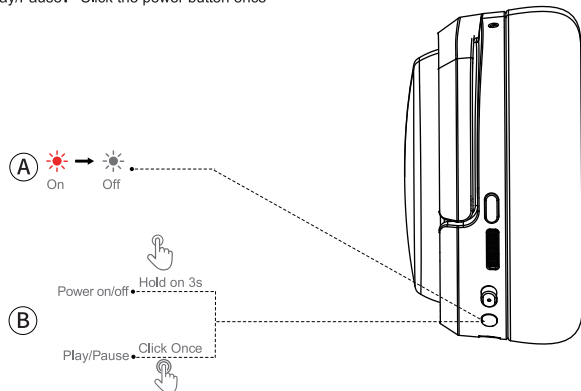
- ⑦ LED On/Off Button
- ⑧ Charge Port
- ⑨ USB Charge Cable
- ⑩ USB Dongle
- ⑪ USB C A/M to 3.5mm cable

HEADSET POWER/MIC BUTTON

Headset Power Button

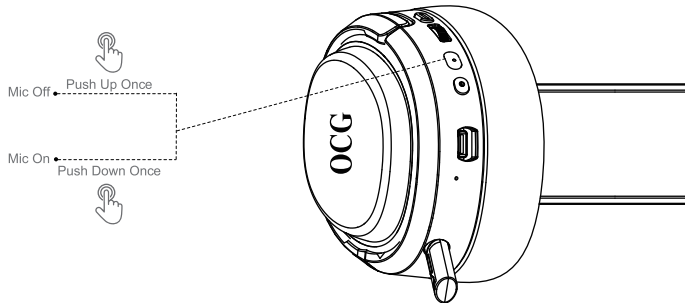
A. Power On/Off: Hold down the power button for 3 seconds until you hear a beep.

B. Play/Pause: Click the power button once



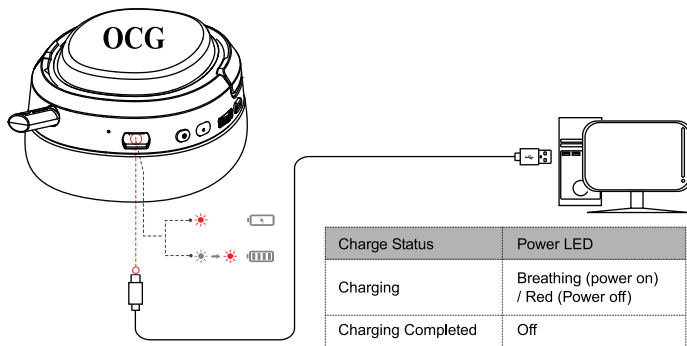
*The RGB light will turn on when the headset is working.

Mic Mute Button



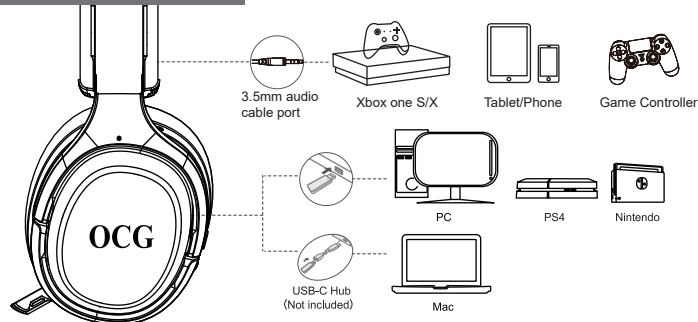
HEADSET CHARGING

1. It is recommended to fully charge the headset before first use.
2. When the headset remaining the battery level is low, you will hear a beep on your headset.
3. Connect the Type-C cable to the charging port on the headset, and plug the other end into any USB power source.



▲ CONTIONS: Do not use headset while charging.

HEADSET CONNECTION

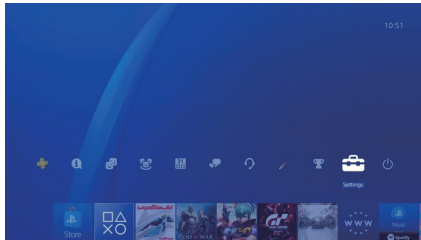


To use the wireless headset on your device (PC, PS4, Nintendo, Mac) :

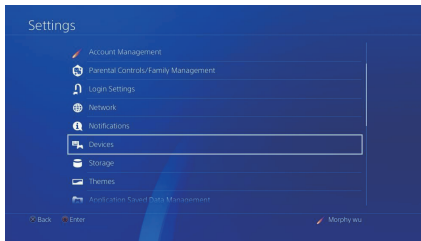
1. Connect the wireless adapter to a USB port on your device (PC, PS4, Nintendo, Mac).
2. Press the power button on the headset for 3 seconds to power on.
3. When the headset ear cup LED is solid, the headset is connected.

* Note: If it is your first time using the headset, you may need to set the headset as the default input and output device .

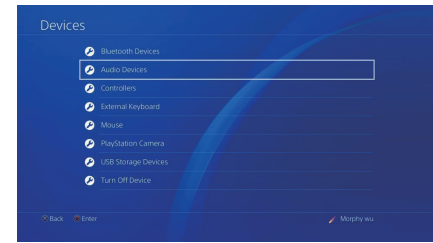
Headset PlayStation 4 Configuration



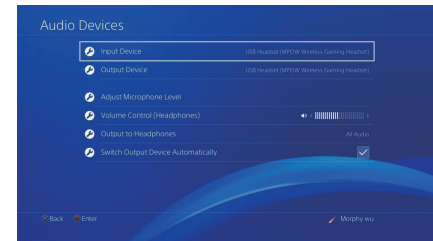
1. Click the 'settings' in the screen.



2. Click on the 'Devices' tab, then go to the next step.



3. Click on the 'Audio Devices' tab, then go to the next step.



4. Click on 'Input Device' and 'Output Device' , right-click on 'Wireless Dongle' and select 'Set as Default Device' , adjust the 'volume control (headphones)' ,

TROUBLESHOOTING TIPS

No sound/low sound	
Possible Cause	Solution
Volume Control	Press the Volume Up button on the Ear Force Headset Audio Controller If necessary. Press the Game button of the Chat/Game Mix.
App Problem	Close the active App and re-open it alternatively
Loose Connector	Confirm that each plug is inserted

Microphone not working	
Possible Cause	Solution
Mic Button	Check the mic one-key mute button on the headset is off.
Chat Volume	Press the Chat Button on the Chat/Came Mix of the Ear Force Headset Audio Controller.
Loose Connector	Confirm that each plug is inserted firmly and fully.

Voice interrupted	
Possible cause	Solution
Setting	Check the default (input and output) sound device is selected for this headset.
Weak Signal	Check the network.

* Any further question, please feel free to contact us though Amazon or email us via: yiteng0307@163.com, and we are here to serve you all the time.

TECHNICAL SPECIFICATIONS

Drive Unit	Φ50MM
Impedance	32±15%ohm
Sensitivity(S.P.L)	105±3dBat1khzheadset
Input Power	10mw
Frequency Response	20-20KHz
Microphone sensitivity	-42±3dB
Transmission Distance	10m
Playing Time	17H(Medium volume)
Battery	Polymer Lithium Battery
Battery Capacity	3.7V/1200mAH
Charging Time	1~2H

SAFETY AND PRECAUTIONS

Carefully read the information in this instruction manual and on the package before using this product.

Safety

- Observe all warnings, precautions and instructions.
- CHOKING HAZARD-Contains small parts. Keep out of the reach of small children.
- Stop using the system immediately if you begin to feel tired or if you experience discomfort or pain in your head while operating the wireless stereo headset. If the condition persists, consult a doctor.
- Avoid prolonged use of the wireless stereo headset. Take a break at about 15-minute intervals.
- Permanent hearing loss may occur if the headset is used at high volume. Set the volume to a safe level.
- Overtime, increasingly loud audio may start to sound normal but can actually be damaged to your hearing.
- If you experience ringing in your ears or muffled speech, stop listening and have your hearing checked.
- The louder the volume, the sooner your hearing could be affected. To protect your hearing:
 - Limit the amount of time you use the headset at high volume.
 - Avoid raising the volume to block out noisy surroundings.
 - Lower the volume if you can't hear people speaking near you.
 - If you feel that the headset is irritating your skin, stop using it immediately.
 - Do not disassemble or insert anything into the headset because this may cause damage to the internal components or cause injury to you.
 - Observe all signs and instructions that require an electrical device or radio product to be switched off in designated areas, such as gas/refuelling stations, hospitals, blasting areas, potentially explosive atmospheres or aircraft.
 - The battery used in this device may present a risk of fire or chemical burn if mistreated.
 - Do not disassemble, heat above 60°C, or incinerate.

FCC warning

This device complies with part 15 of the FCC Rules.

Operation is subject to the following two

conditions: (1) this device may not cause harmful

interference, and (2) this device must accept any interference received, including interference that may cause undesired operation.

Any changes or modifications not expressly approved by the party responsible for compliance

could void the user's authority to operate the equipment.

NOTE: This equipment has been tested and found to comply with the limits for a Class B digital device, pursuant to Part 15 of the FCC

Rules. These limits are designed to provide reasonable protection against harmful interference in a residential installation. This equipment

generates, uses and can radiate radio frequency energy and, if not installed and used in accordance with the instructions, may cause

harmful interference to radio communications. However, there is no guarantee that interference will not occur in a particular installation.

If this equipment does cause harmful interference to radio or television reception, which can be determined by turning the equipment off and

on, the user is encouraged to try to correct the interference by one or more of the following measures:

-- Reorient or relocate the receiving antenna.

-- Increase the separation between the equipment and receiver.

-- Connect the equipment into an outlet on a circuit different from that to which the receiver is connected.

-- Consult the dealer or an experienced radio/TV technician for help.

The device has been evaluated to meet general RF exposure requirement.

The device can be used in portable exposure condition without restriction.