

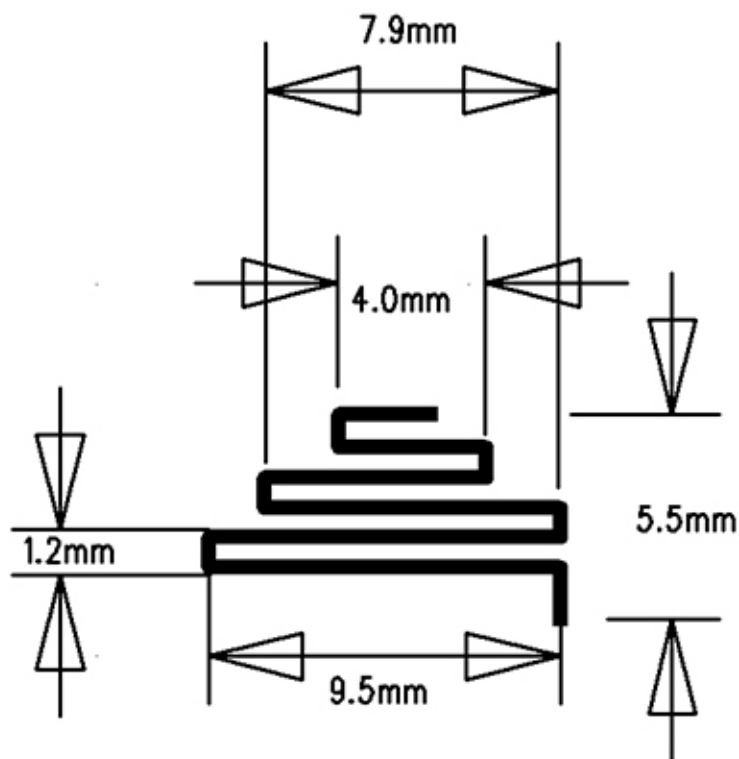
Antenna describe

1. Antenna describe:

Antenna plate	Monoploe antenna
Make name/model name	F-6188
Antenna gain	1.0dBi
Frequency range	2.4GHZ-2.483GHZ
Connector type	direct
Location of mearement (company name)	SHENZHEN SHIXINZHONGXIN TECHNOLOGY.CO.,LTD

2. External view drawing:

Picture of antenna

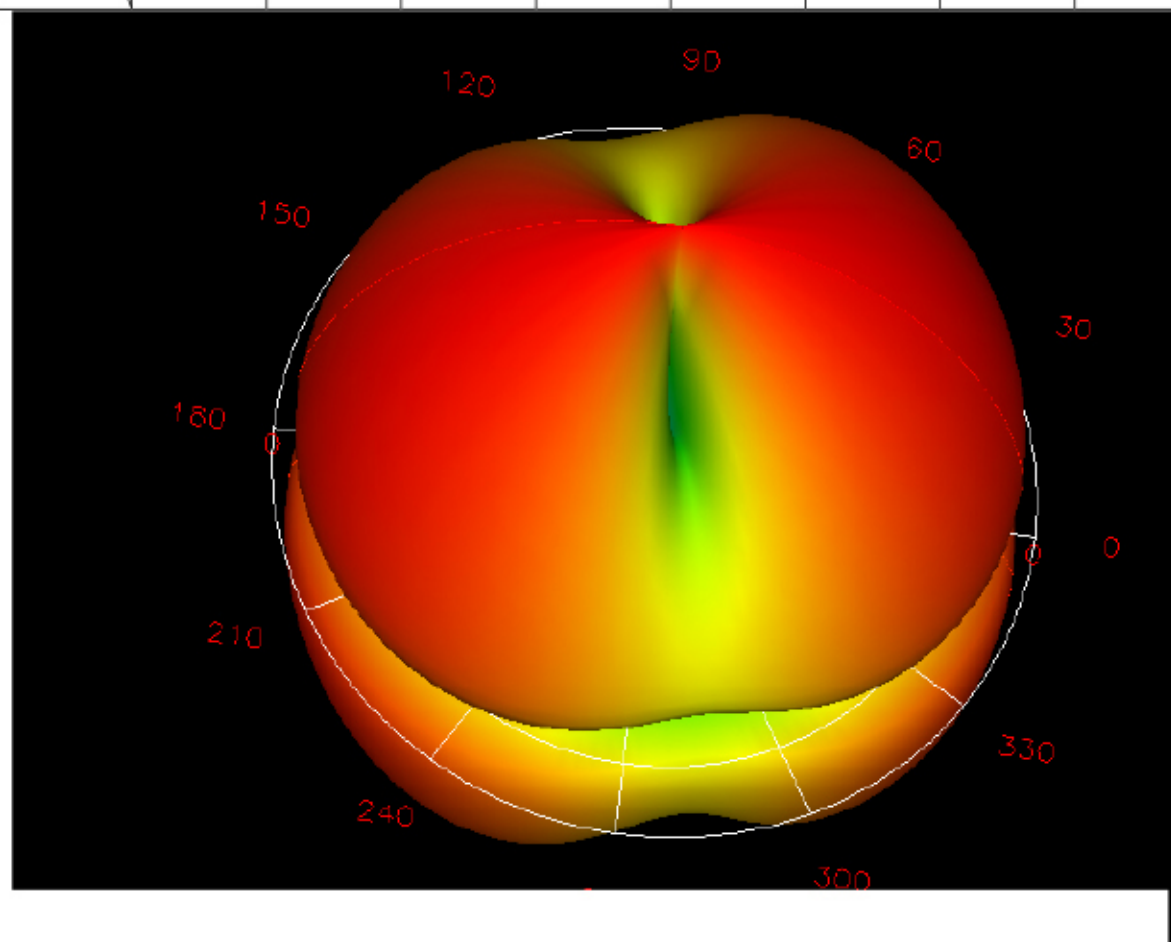


3. Antenna Radiation Pattern

Radiation pattern@2.402GHZ

Total Average Gain:1.0dBi

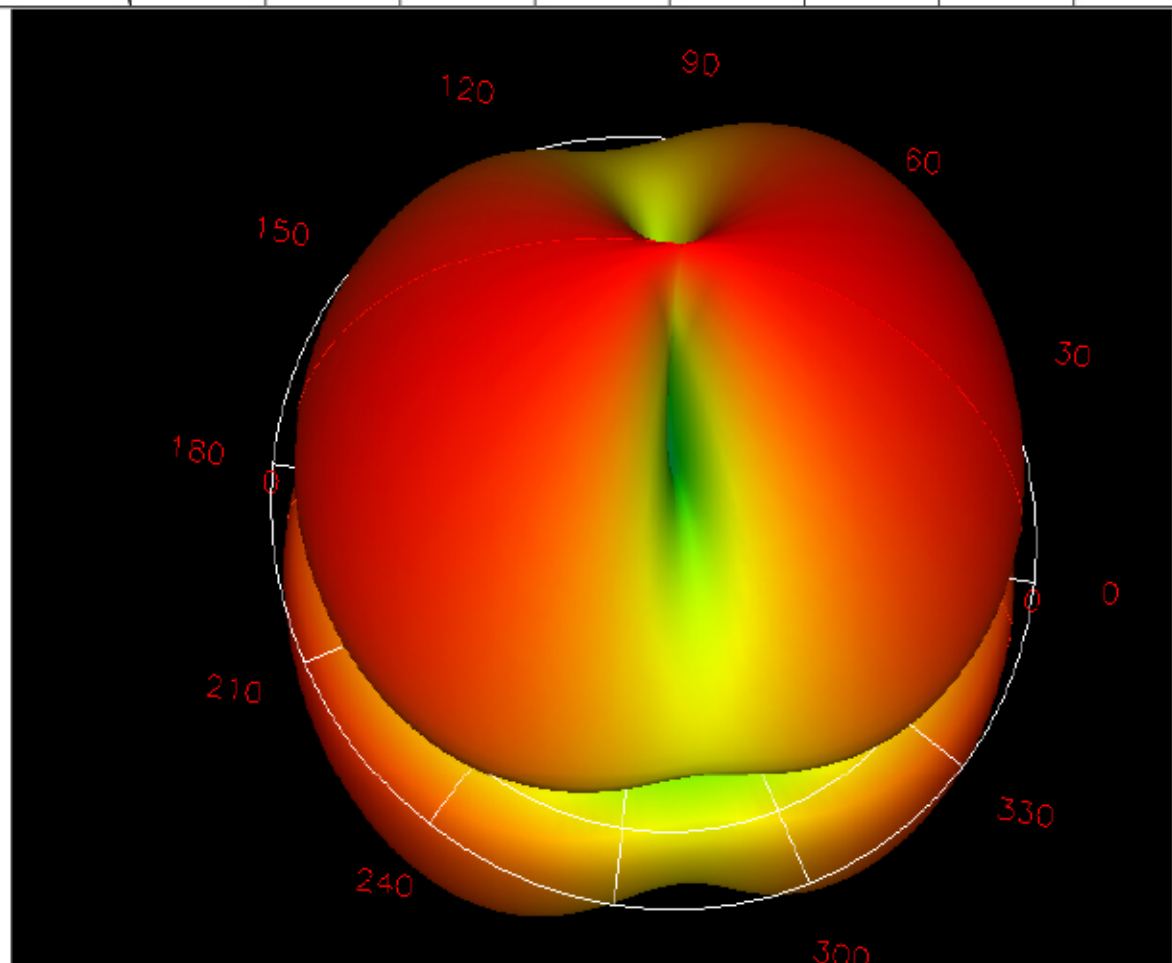
Phi	0	45	90	135	180	235	270	315
Gain	1.0	-0.3	-0.8	-0.5	-0.2	-0.6	-0.8	-0.5



Radiation pattern@2.441GHZ

Total Average Gain:-0.275dbi

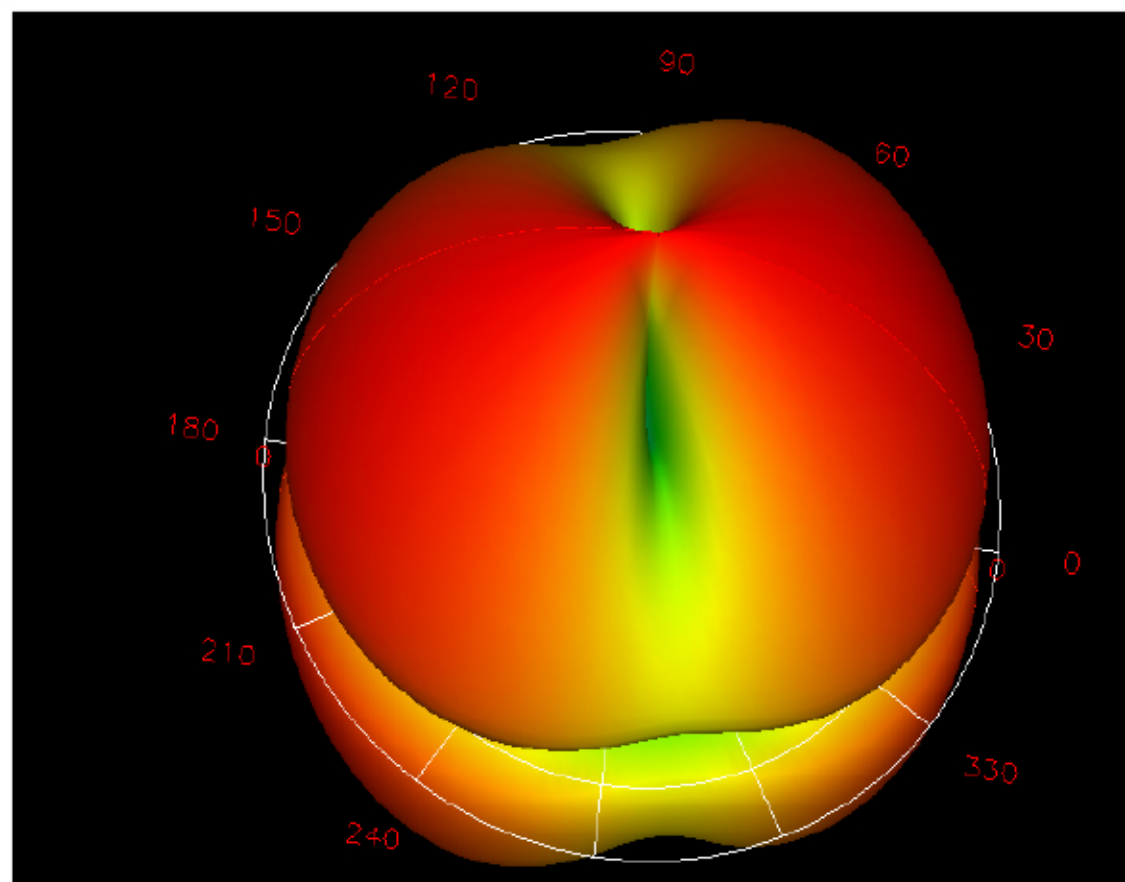
Phi	0	45	90	135	180	235	270	315
Gain	0	-0.1	-0.3	-0.6	-0.1	-0.2	-0.6	-0.4

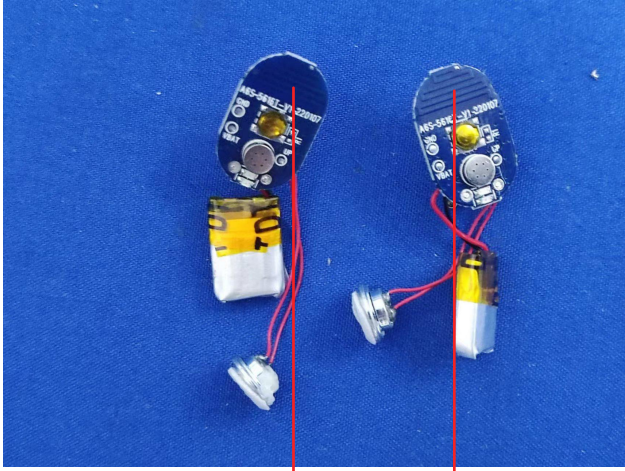


Radiation pattern@2.480GHZ

Total Average Gain:-0.237dbi

Phi	0	45	90	135	180	235	270	315
Gain	0	-0.1	-0.2	-0.5	0	-0.3	-0.6	-0.2





ant