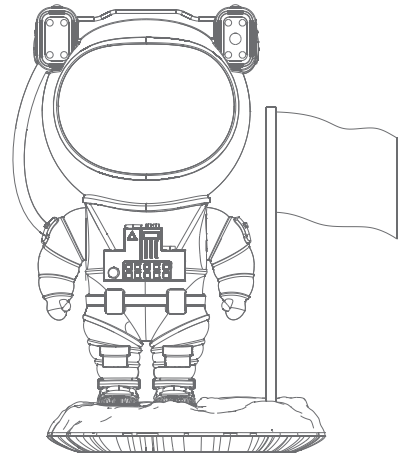
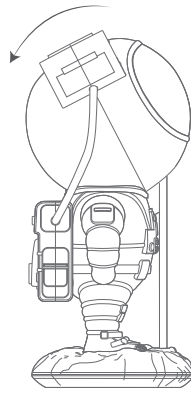


User's Manual



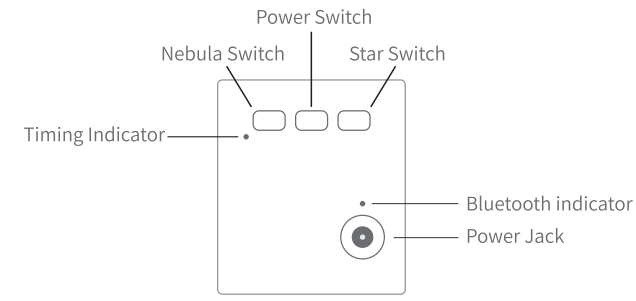
Attention

- ◆ The light source of stars and nebulae is strong, so eyes should not look directly at the light source.
- ◆ The head and body of the astronaut are connected together by magnets, and the direction of the head can be adjusted. Do not stretch the astronaut's head and body forcefully, otherwise the wires may break due to stretching.
- ◆ **Highlight Note:** ⚠️
The brightness of the stars (laser brightness) is strongly affected by the ambient temperature and usage time. The laser working temperature is 10°-40°C; When the ambient temperature is lower than 10°C, the laser cold start time is longer, and it is possible that the stars will not be seen when you first turn it on, but the stars will gradually return to normal after a few minutes of turning on; When the ambient temperature is hot, the laser projector will inevitably dim after working for a long time (the laser itself will heat up when working). At this time, please turn the lights off and release its heat (usually it takes more than 15 minutes to dissipate heat). Then restart the star projector to restore normal brightness.



The projection direction can be adjusted by adjusting the rotation angle of the astronaut's head.

Host Key Operation Instructions

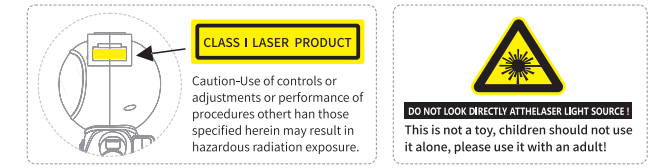


Note: The product needs to be connected to the power cord for use.

- ◆ **Power switch:** Short press the power switch to turn on, and the stars and mixed color nebula are turned on by default after turning on.
- ◆ **Nebula Switch:** Short press the Nebula button to switch the color of the nebula, each time you press to switch a color, and so on; long press to turn off the Nebula function, and then short press to turn on the Nebula function again.
- ◆ **Star switch:** Short press the key to switch the respiratory rate of a star each time. Long press to turn off the star function. After turning off, short press again to turn on the star function.

Material:ABS/PC/PVC
Laser Wavelength:532nm
CLASS I Laser Products
Diode Laser-Max.Output<1mW
Rated Voltage:5V=2A
Control Mode:Remote control
Remote Control Range:<5meters(Best distance)
Product Size:155*113*233mm
Applicable Environment:Indoor Home(Better in a dark environment)
Working Temperature:10°~40°Celsius

FCC Compliance Statement:
This device complies with Part 15 of the FCC Rules. Operation is subject to the following two conditions:
(1) this device may not cause harmful interference, and
(2) this device must accept any interference received, including interference that may cause undesired operation.
Changes or modifications not expressly approved by the party responsible for compliance could void the user's authority to operate the equipment.
NOTE: This equipment has been tested and found to comply with the limits for a Class B digital device, pursuant to Part 15 of the FCC Rules. These limits are designed to provide reasonable protection against harmful interference in a residential installation.
This equipment generates, uses instructions, may cause harmful interference to radio communications. However, there is no guarantee that interference will not occur in a particular installation. If this equipment does cause harmful interference to radio or television reception, which can be determined by turning the equipment off and on, the user is encouraged to try to correct the interference by one or more of the following measures:
- Reorient or relocate the receiving antenna.
- Connect the equipment into an outlet on a circuit different from that to which the receiver is connected.
- Consult the dealer or an experienced radio/TV technician for help.
- Increase the separation between the equipment and receiver.
FCC Radiation Exposure Statement:
The equipment must be installed and operated in accordance with provided instructions and the antenna(s) used for this transmitter must be installed to provide a separation distance of at least 20 cm from all persons and must not be co-located or operating in conjunction with any other antenna or transmitter. End-users and installers must be provided with antenna installation instructions and transmitter operating conditions for satisfying RF exposure.



FDA FC CE RoHS

面

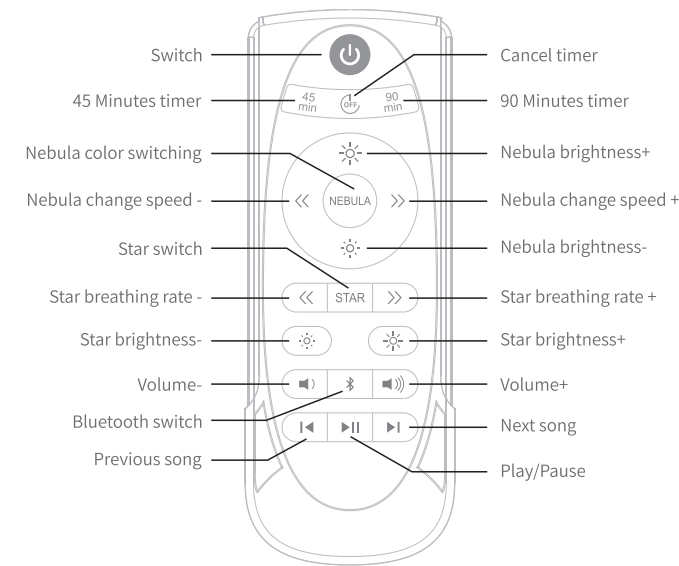
底

- ◆ **Bluetooth indicator:** When Bluetooth is turned on, the indicator light is on(The indicator light is flashing before pairing, and the indicator light is always on after successful pairing), and when Bluetooth is turned off, the indicator light is off.
- ◆ **Timing indicator:** After pressing any timing button on the remote control, the timing indicator light will be on, and the indicator light will be off when the timing is turned off.

How does the mobile phone connect to the product via Bluetooth?

Turn on the bluetooth function of the product, when the bluetooth indicator flashes, it means that the bluetooth function has been turned on and can be connected to the mobile phone at any time, the bluetooth name of the product is " Astronaut ", turn on the bluetooth of the mobile phone and search, when " Astronaut " appears, select This option can be paired. After the pairing is successful, there will be a sound of successful connection, and the indicator light will change from flashing to steady light.

Remote Control Instructions



- ◆ **Switch:** Short press the switch to turn on, and Nebula and Stars are turned on by default after turning on; short press the button again after turning on to turn off.
- ◆ **Cancel timing:** short press the button in the timing state to cancel the timing,At the same time, there is a prompt tone.
- ◆ **45-minute timer:** After pressing this button, the product will enter the 45-minute timer, and at the same time, a prompt sound "di" will be emitted, and the timer indicator will light up in blue.
- ◆ **90-minute timer:** After pressing this button, the product enters the 90-minute timer, and at the same time two prompt sound "didi" will be emitted, and the timer indicator lights up red.
- ◆ **Nebula color switching:** Each time you press the button, the nebula will switch to one color. After a cycle, it will return to the default color. Long press the button to close the nebula. After closing the nebula, short press the button to reopen the nebula.
- ◆ **Nebula brightness+:** There are 5 levels of Nebula brightness. The default brightness is the middle level. Each time you press it, the brightness will increase by one level.
- ◆ **Nebula change Speed+:** Nebula change speed is divided into five gears 0-1-2-3-4; gear 0 is static, gear 4 is the fastest changing speed, and the default gear is gear 2. Every time you press it, the speed of Nebula changes by one level until it reaches level 0.
- ◆ **Nebula change speed+:** The change speed of the nebula increases by one level each time you press it, until the third level.
- ◆ **Nebula brightness-:** There are 5 levels of Nebula brightness. The default brightness is the middle level. Each time you press it, the brightness will decrease by one level.

- ◆ **Star switch:** Long press the button to turn off the star, and then short press the button to turn the star back on.
- ◆ **Star breathing rate-:** Star breathing rate is divided into four gears 0-1-2-3, 0 gear means that the stars are always on, gear 3 is the highest frequency, the default gear is 2 gears, every time you press the star The breathing rate is reduced by one gear until it reaches the 0 gear.
- ◆ **Star breathing rate+:** Each time you press the star, the breathing rate will increase by one level, up to level 3.
- ◆ **Star brightness-:** The star brightness adjustment is only limited to the normally bright mode. In the breathing state, this button is invalid. There are three levels of brightness adjustment. The default brightness is the brightest when the star is turned on. Each time you press it, the brightness will be reduced by one level until the darkest level.
- ◆ **Star brightness+:** The default brightness is the brightest. When the brightness is dimmed, press this button once to increase the brightness by one gear until the brightest gear.
- ◆ **Volume-:** When playing audio, this button can reduce the volume.
- ◆ **Volume+:** When playing audio, this button can increase the volume. When the volume reaches the highest level, there will be a beep.
- ◆ **Bluetooth switch:** When the Bluetooth is not turned on, long press the switch to turn on the Bluetooth, and then short press again to turn off the Bluetooth.
- ◆ **Next song:** When playing audio, this button can select the next song.
- ◆ **Previous song:** When playing audio, this button can select the previous song.
- ◆ **Play/Pause:** When playing audio, short press the button to pause playback, short press again to restart.