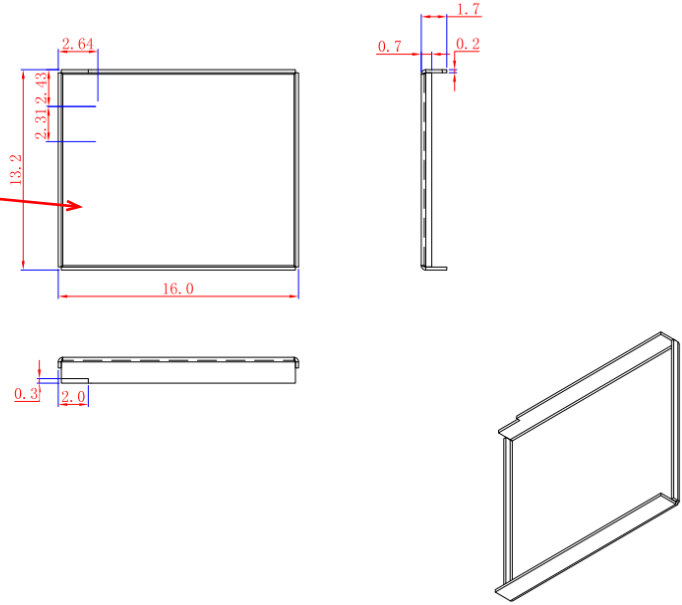


Part No: BRLR01  
 Broy Engineering Ltd  
 FCC ID: 2A8ACBRLR01  
 IC: 288892-BRLR01



REVISIONS				
ZONE	REV	DESCRIPTION	DATE	APPROVED

Note:

Label Part# Brady B33-149-422  
 Ribbon Part# Brady B30-R6000  
 Font : Arial Size: 3

DRAWN		DATE		Broy Engineering Ltd 92 Advance Rd Toronto Ont			
CHECKED		APPROVALS		BROYLR01 HopeRF Module Label			
APPROVED		SIZE	FILE NO.	DWG. NO.		REV	
ISSUED		B		BROYLR01 LBL		_R	01
		SCALE	NONE	FILE NAME	BROYLR01_LBL	SHEET	1 OF 1