

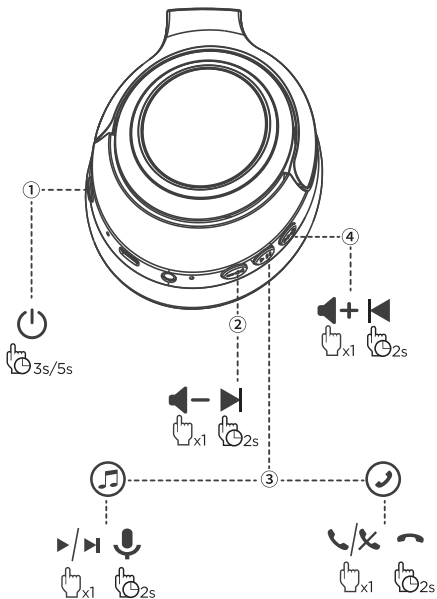
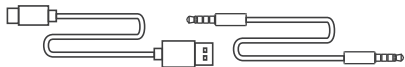
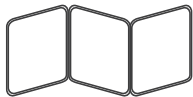
MINISO

PRODUCT MANUAL

Wireless Headset G50

PLEASE READ THIS MANUAL CAREFULLY BEFORE USING THE
PRODUCT AND KEEP IT IN A SAFE PLACE.





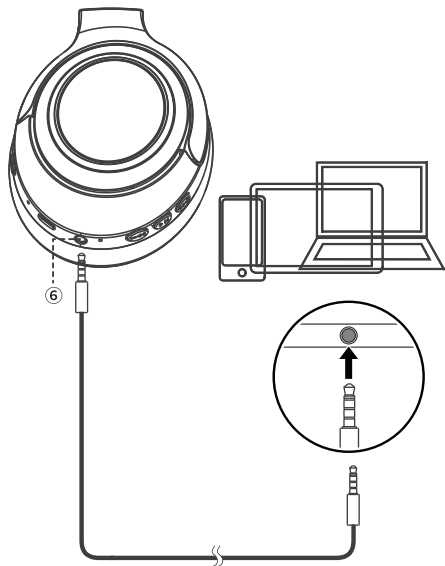
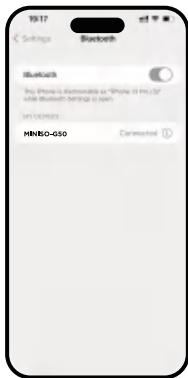
Touch Operation

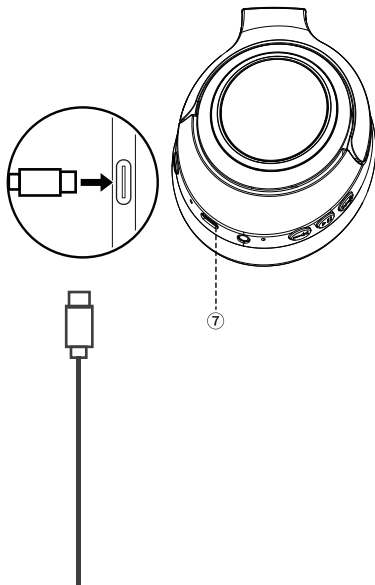
Connect with Bluetooth device



5

Open the Bluetooth settings option of the Bluetooth device to be paired, enter the options and find the Bluetooth pairing name of the headset "MINISO-G50". Click the pairing name to pair.





Specification of Product

Model of Product: G50

Version: V5.4

Effective Distance: Approx. 10m

Speaker Diameter: $\phi 40\text{mm}$

Impedance: 32Ω

Frequency Respinse: 20Hz-20KHz

Microphone Sensitivity: $-38\text{dB}\pm 3\text{dB}$

Input: $5\text{V}\approx 300\text{mA}$

Battery Capacity: 300mAh

Usage Time: Approx. 20 H

Charging Time: Approx. 2 H

Operating Instruction of Product

Power On (NO.①)

Long press the power button for 3 seconds, turn on the device, with the prompt sound of "Du".

Shut Down (NO.①)

Long press the power button for 5 seconds turn it off, with the prompt sound of "Du".

Note: After powering on, if it is not paired with a Bluetooth device for 3 minutes, it will automatically shut down; If it is not connected to a Bluetooth device after 3 minutes, it will automatically power off after 3 minutes, with the prompt sound of "Du". "

Bluetooth Device Connection (NO.⑤)

- For the first time, through the Bluetooth device setting option, search for the Bluetooth pairing name of the earphone "MINISO-G50", and tap to connect successfully.
 - For reusing, and automatically connect the Bluetooth device.
- Note: The Android system shall be turned on: the volume of Bluetooth device is synchronized with the device

Function Operation (NO.②, ③, ④)

Pause/Play: Tap the multi-function key once

Volume Up: tap "+" once. When the voice reaches the maximum volume, the prompt sound "Di" can be heard.

Volume Down: tap "-" once. When the voice reaches the maximum volume, the prompt sound "Di" can be heard.

Previous Song: Long press "+" for 2 seconds

Next Song: Long press "-" for 2 seconds

Call Answer/End: Tap the multi-function button once

Call Rejection: Long press the multi-function button for 2 seconds

Start the Voice Assistant: Long press the multi-function button for 2 seconds

Audio Wired Connection (No.⑥)

Connect the earphones to the device through the 3.5mm audio cable. All button functions of the earphones are invalid in this mode, it can be controlled through the device.

Charging Cable Connection (No.⑦)

Connect the Earphone to the charger with the Type-C charging cable for charging.

Dual Bluetooth Device Connection

Disconnect after successfully connecting the first Bluetooth device, and then connect the second Bluetooth device and connect the first Bluetooth device again.

The Earphone can be connected to two Bluetooth devices in this method simultaneously.

Power Prompt

The Earphone have a low battery, and the prompt sound is "Ding Dong", which will be reminded every 60 seconds

Indicator Light Display

Power On: White light flashes.

Power Off: White light turns off after flash.

Successful Pairing: White light is off.

Bluetooth Disconnection: White light flashes.

Earphone Charging: Blue light is always on, and blue light turns off after full charge.

Warranty statement

MINISO product warranty card

Product number			SN number	
User info	name		Purchase date	
	telephone			
	address			
	Invoice number			
Sales unit information	name	(stamp)		
	address			
	telephone			

FCC ID: 2A83K-G50

FCC Warning:

Any Changes or modifications not expressly approved by the party responsible for compliance could void the user's authority to operate the equipment.

This device complies with part 15 of the FCC Rules. Operation is subject to the following two conditions:

- (1) This device may not cause harmful interference, and
- (2) this device must accept any interference received, including interference that may cause undesired operation.

Note: This equipment has been tested and found to comply with the limits for a Class B digital device, pursuant to part 15 of the FCC Rules. These limits are designed to provide reasonable protection against harmful interference in a residential installation. This equipment generates uses and can cause harmful interference to radio communications. However, there is no guarantee that interference will not occur in a particular installation.

If this equipment does cause harmful nterference to radio or television reception, which can be determined by turning the equipment off and on, the user is encouraged to try to correct the interference by one or more of the following measures:

Reorient or relocate the receiving antenna.

-Increase the separation between the equipment and receiver.

-Connect the equipment into an outlet on a circuit different from that to which the receiver is connected.

-Consult the dealer or an experienced radio/TV technician for help.

The device has been evaluated to meet general RF exposure requirement.

The device can be used in portable exposure condition without restriction.

US REP

Company name: UUX GROUP INC
Address: 36 South 18th Avenue, Suite A Brighton,
CO USA 80601
Contact Person: Jack Fu
Email: uuxforever@outlook.com
ContactPhone: (213) 375-3998

The above guarantee does not apply to the following situations

1. The validity period of the three guarantees has exceeded;
2. Altering of the warranty cards and product code do not match the product itself;
3. Failure of damages caused by misuse, abuse or improper transportation, use, maintenance or storage;
4. Failure of damages caused by force majeure (such as earthquake, war, fire, etc.) or accident;
5. Zippers and tower buckles are damaged due to excessive force;
6. Off-line or tear caused by overloading;
7. Any damage caused by sharp objects;
8. Products with signs of burn damage or water logging;
9. Damage caused by unauthorized dismantling and modification;
10. Aging, discoloration, wear, cracking and other losses that occur during normal use of the product.
11. If the product's original logo or label is changed or damaged, this warranty will be invalid.

The completeness and appearance of the product and accompanying materials are not covered by the warranty. You should inspect the product on site when receiving it and raise objections to any discrepancies.

Service supervision hotline: 400-812-0102

MINISO Product service policy

If you encounter a problem, please contact our customer service to solve it.

After-sales email: 7@hifi-earphone.com

Warranty Policy

Disclaimer:

This manual does not come with any form of warranty, position expression or other implication. The products, specifications and information mentioned in this manual are for reference only, and the content will be updated on the website at any time without prior notice.

Warranty statement:

The following guarantee is made for the products attached to this document:

If the product is damaged due to quality defects under normal use within twelve(12) months from the date of your purchase (the “Warranty Period”), and if it can be repaired, it will be repaired free of charge; If the manufacturer confirms that it cannot be repaired, it will be replaced free of charge; the repaired product will continue to be covered by the warranty for the remaining warranty period(a minimum of not less than 30 days). The purchase date shall be based on the sales invoice date; if the purchase date cannot be determined, the warranty period shall be calculated as thirteen(13) months from the product production date.

If you want to apply for warranty, please call the product service hotline first and follow our instructions. When applying for a warranty, you are required to provide a valid sales invoice that is accurate, complete and clearly filled out.

Guidelines for safe and effective use

Note: Please read this information first before using your Bluetooth headset.

If the user makes modifications or modifications to this Bluetooth headset without permission, the user will lose the right to continue to enjoy the services included in the device

① Electromagnetic interference:

Electronic devices: To avoid the effects of electromagnetic interference or configuration incompatibility, please turn off your Bluetooth device in accordance with regulations in places with clear instructions.

Civil Aviation: After boarding the plane, please turn off your Bluetooth headset according to the flight attendant’s instructions. It is strictly prohibited to use Bluetooth headsets during flight to avoid interference with the aircraft communication system.

② Safety matters:

Placement: It is recommended that when you are not using the Bluetooth headset, place it in a place where it will not be squeezed. Squeezing may cause damage to the product or personal injury.

Children: Do not let children play with Bluetooth headsets. Some of the small parts are detachable and may be swallowed and cause danger.



Important safety tips

● Except for the operation methods specifically marked in the manual, please do not attempt to disassemble or replace any parts in the product.

● This product contains a built-in rechargeable battery. It is prohibited to hit, squeeze, puncture, or short-circuit the battery. If there are abnormal phenomena such as excessive temperature, deformation, bulging, or leakage, please stop using it. Do not expose the battery to open flames or sunlight. Do not use the battery after it has been immersed in water or in high-temperature or high-pressure environments such as the sun, heaters, or stoves. After using the earphones, do not place the earphones in a humid, dusty, oily smoke, steam, direct sunlight or other high-temperature and high-pressure environment to avoid damage to the earphones and battery. The battery can be charged and discharged for a limited number of times and will eventually age. If the battery is used abnormally, it can be replaced with a new one. However, do not replace the battery by yourself. If the battery is not replaced properly, there is a risk of explosion. It can only be replaced by an after-sales service provider of the same or equivalent type. battery usage.

● After the product is used and scrapped, do not throw the product into a fire. The waste should be disposed of in strict accordance with the garbage classification. Please use this product reasonably and correctly to avoid causing certain injuries and environmental damage.

● During the use of headphones, due to long distances, obstacles in the middle, or a series of interferences such as other radio signals, Bluetooth signals, WIFI signals, etc., the headphones are used when listening to music, watching videos, playing games, etc., there will be occasional lags, voice out-of-sync or disconnection. If this happens, please reconnect the headphones or stay away from interference.

● When charging, please use a charging device with an output voltage of DC 5V/1A. You must choose a charging device from a regular manufacturer that has obtained CCC safety certification. Do not use a fast-charging charger to avoid excessive battery load, which may cause The battery is damaged. Do not charge continuously for longer than the specified charging time. Do not use it while charging to avoid damage.

Enjoy the company of
MINISO



Copyright©2024 MINISO Group affiliated
companies and its licensors. All rights reserved

Creating sound
to live with