

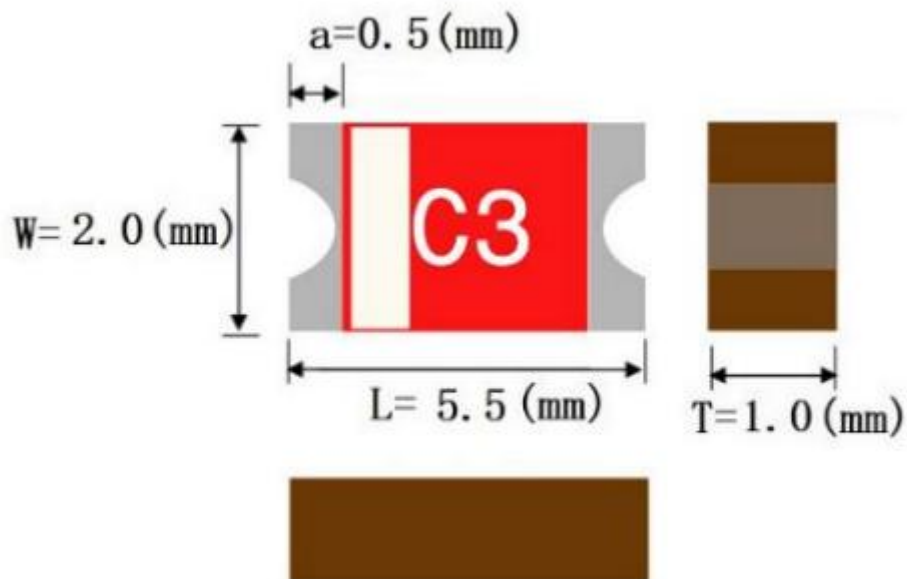
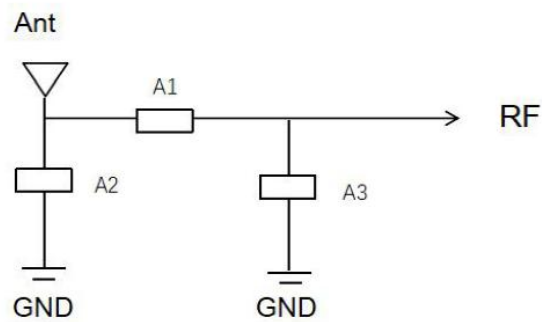


ANT Communication Technology (Shenzhen) Co., LTD.

# Antenna Datasheet

Manufacturer : Ningbo Siming Automotive Co.,Ltd

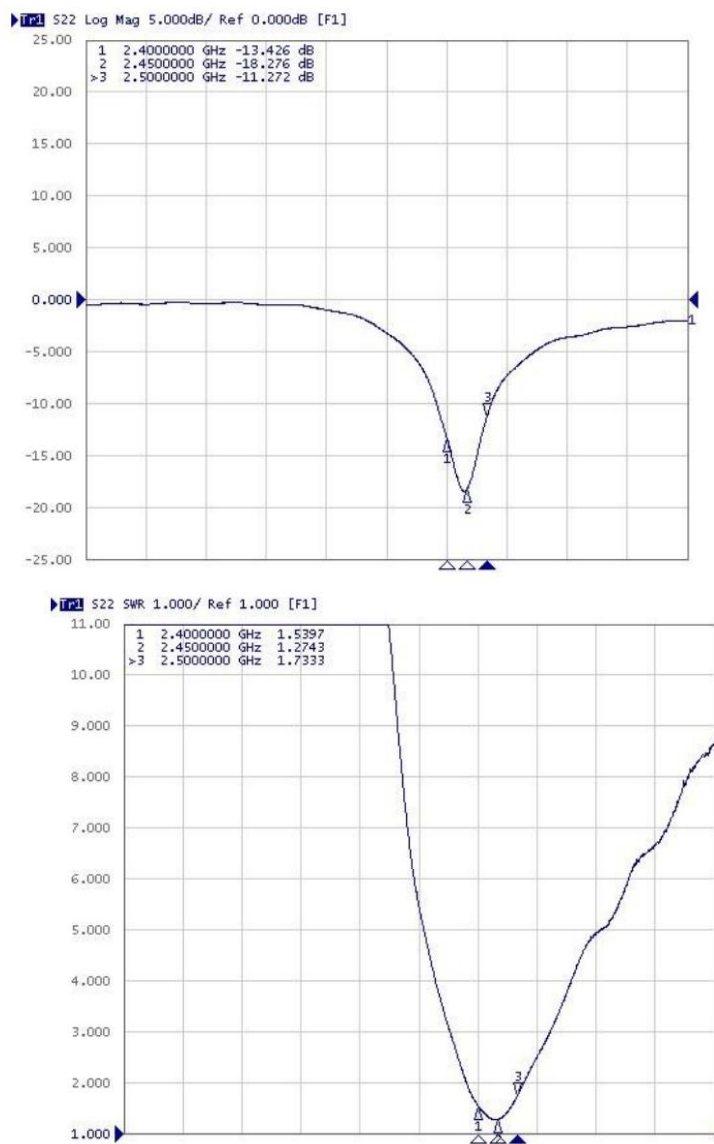
Model : Ceramics Antenna



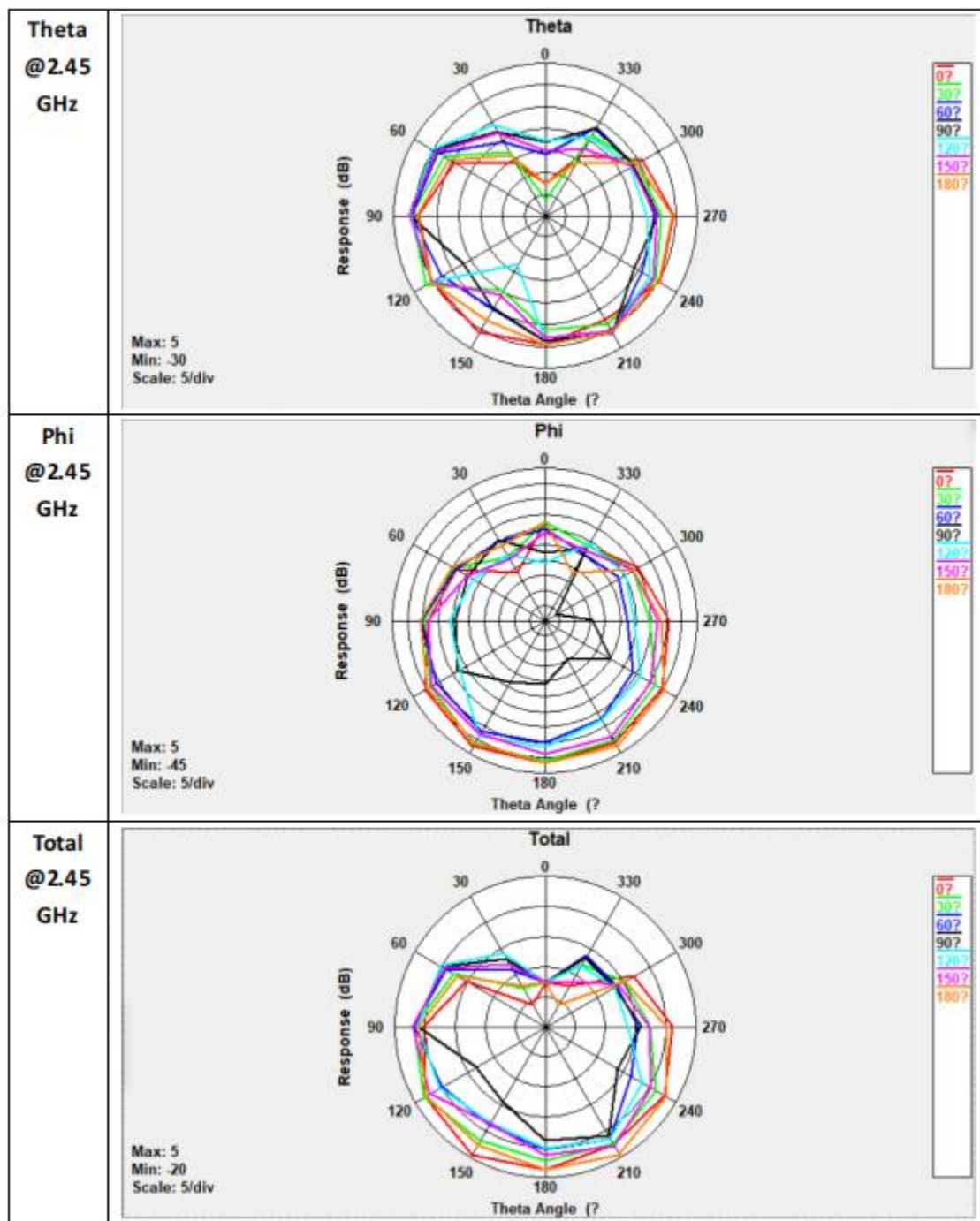
## 1、Gian

工作频率范围 Working Frequency	2450±50MHz
带宽 Band Width	>100MHz
阻抗 Impedance	50 Ω
增益 Gain(dBi)	4.3 (peak)
驻波比 VSWR	<2
工作温度 Operation Temperature	-40℃~+95℃
可承受功率 Power Capacity	3W

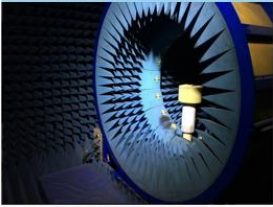
## 2. Data



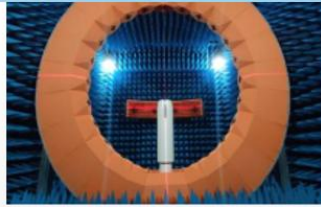
#### 4、2D/3D Directional diagram



**Test Environment and Equipment**



**SATIMO-16**



**XH-24-5G**



**CUM GO**



**CMU RUN**



**Agilent 8960**



**R&S CMW500**



**Anritsu MT8820C**



**Agilent 5071C**



**StarPoint SP9500**

Test system	Testing environment	Active	Passive
SATIMO-16	Temperature 22°C±3°C Humidity 50%±15%	2G/3G/4G/5G GPS/WIFI/BT	<b>400M-8.5G</b>
XH-24			