

HOOPOSENSE

INSTALLATION MANUAL



FIGURE 4: PLACING THE COVER



FIGURE 5: TOP COVER SCREWS



5.2.2.

TOP COVER RE-PLACEMENT

5.2.3.

PLACE AND HOLD THE TOP COVER ON THE ENCLOSURE.

- Note: Pay attention to the batteries' springs direction. Ensure rubber seal is in place.

5.2.4.

TIGHT THE 4 TOP COVER SCREWS USING A SIMPLE PHILIPS #1 SCREWDRIVER

- Note: Do not overtight. Use tightening torque 1Nm maximum

HOOPOSENSE

INSTALLATION MANUAL



FIGURE 6: HOOPOSENSE SERIAL NUMBER



5.2.5.

BATTERY INDICATION

1-2 seconds after batteries installation, the hoopoSense tracker beeps three times- indicating proper batteries insertion.

5.2.6.

REPORT VERIFICATION

1-2 minutes after batteries installation, the hoopoSense tracker should report to the hoopoDashboard

- Note: First activation may take up to 4 minutes.

HOOPOSENSE

INSTALLATION MANUAL

5.2.7.

VERIFY ACTIVATION BY SEARCHING

Search for the hoopoSense tracker serial number (Shown as BCCDXXXX.

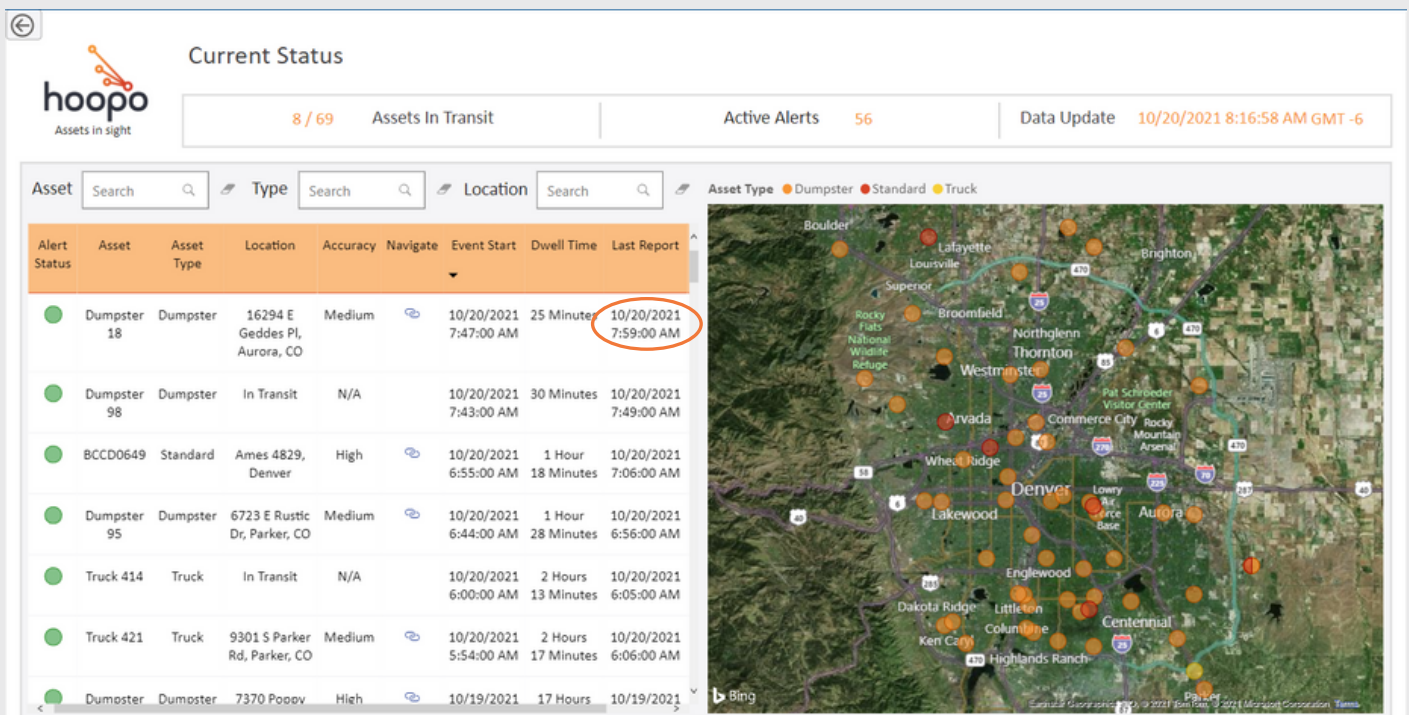
Printed on the hoopoSense tracker sticker, see image below) and then by

checking that the time appears in the “Last Report” Field (See image below)

is matching the actual activation time. Notice that other data fields might

show inaccurate data until the first proper utilization is done.

FIGURE 7: ACTIVATION INDICATION ON THE HOOPDASHBOARD



HOOPOSENSE

INSTALLATION MANUAL

6. MECHANICAL SPECIFICATIONS

6.1.HOOPOSENSE TRACKER

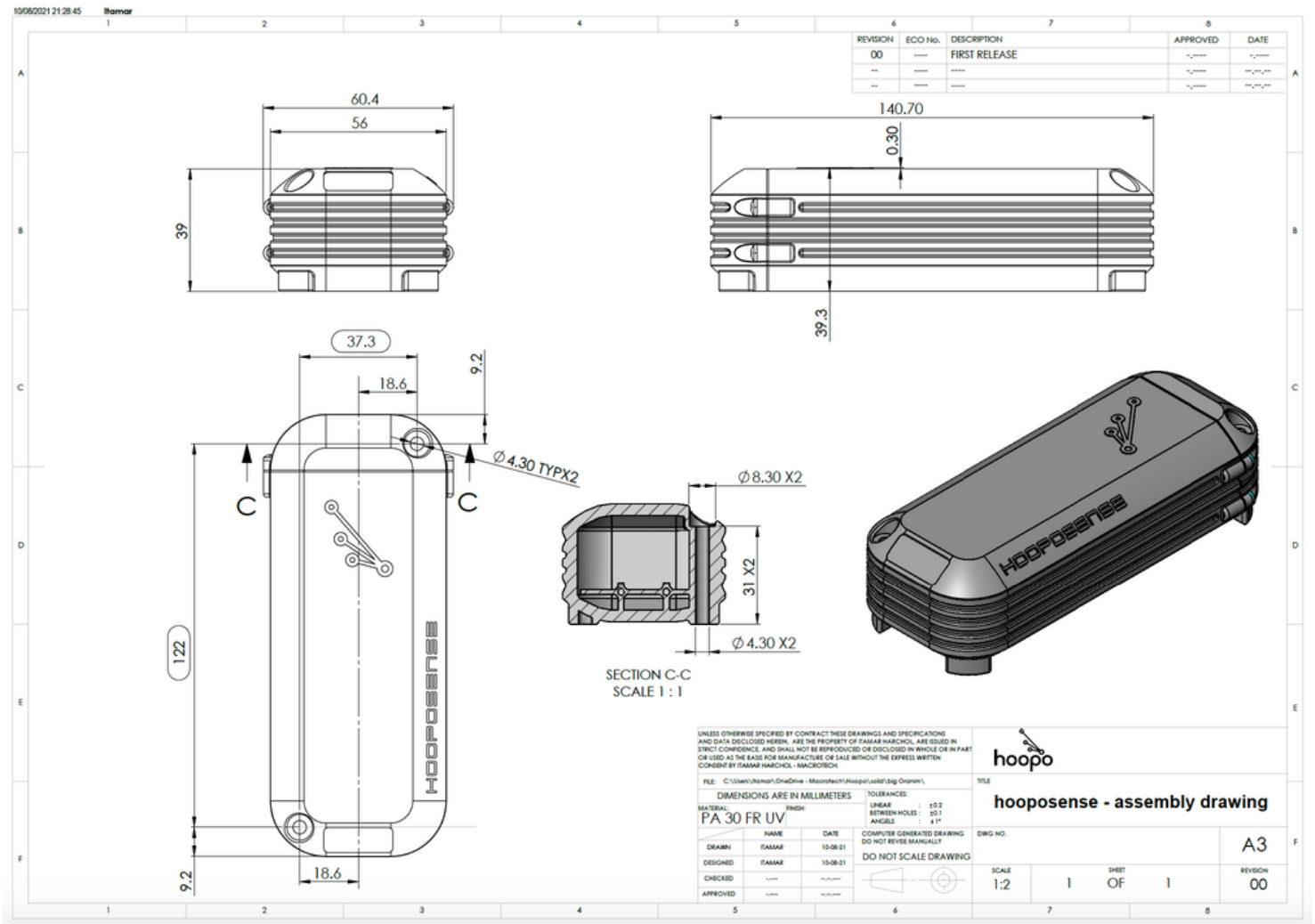


FIGURE 8: HOOPOSENSE OUTLINE DRAWING

HOOPOSENSE

INSTALLATION MANUAL

6.2.PROTECTIVE COVER (BUMPER)



FIGURE 9: PROTECTIVE COVER

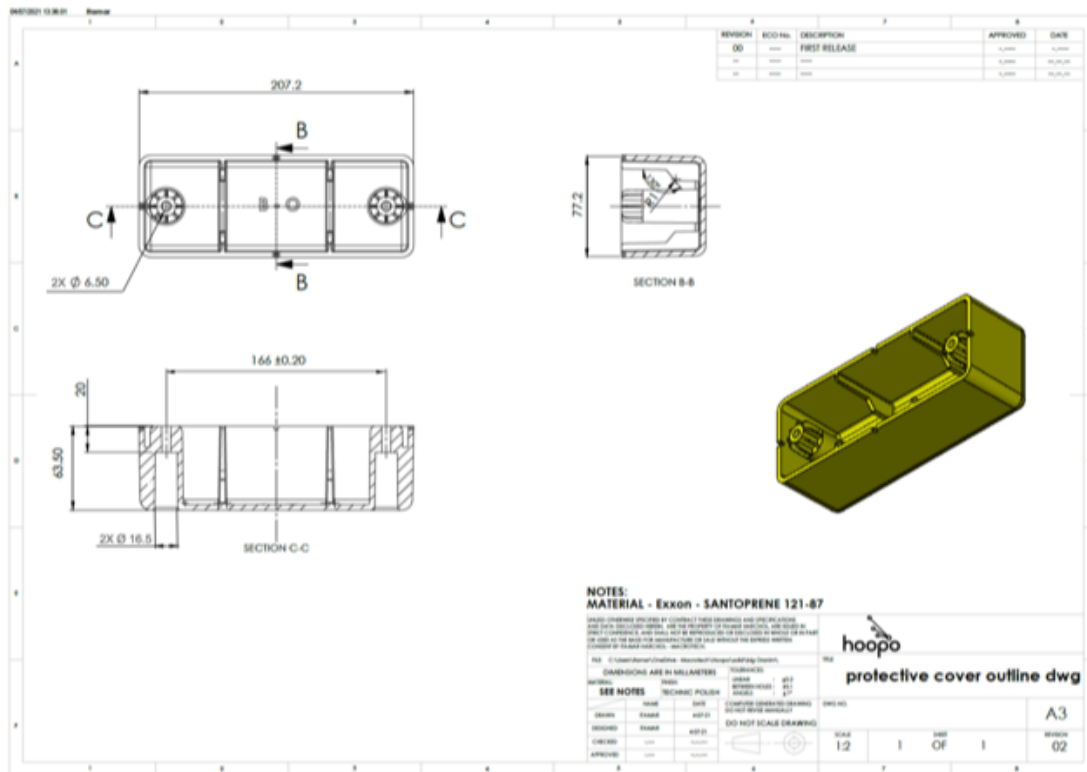


FIGURE 10: PROTECTIVE COVER OUTLINE DRAWING