

MASINGO

It's a karaoke **PARTY** all night long

Karaoke Machine *Festoso X9*

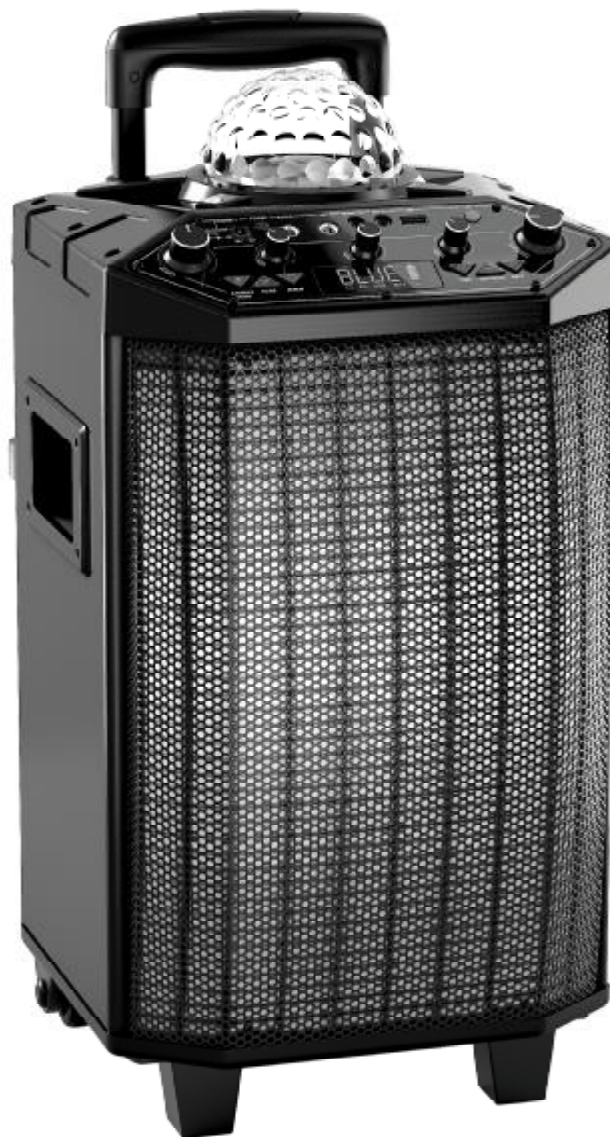
USER MANUAL



▶▶▶

MASINGO

Performer's Manual



Karaoke Machine – Festoso X9

Congratulations!

You've just taken your party game up a notch.

Introducing the Festoso X9, a powerful karaoke machine designed to go where you go. With its sleek and functional suitcase-like wheels, it accompanies you to any gathering—parties, picnics, and get-togethers. The LED front panel sets the room ablaze with a mesmerizing fire-like lightshow, while the disco ball atop dances to the rhythm, turning any space into a pulsating dance floor. Karaoke Mode cleverly dampens the original singer's voice from radio-ready tracks, allowing you to steal the spotlight.

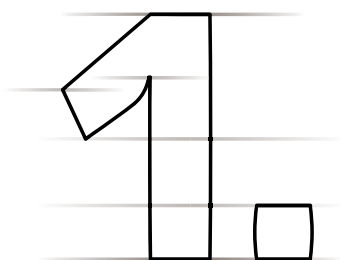
Organized mic holsters keep everything snug and secure for hassle-free travel, ensuring that the spotlight is always on your performance. Tailor your sound with precision using the built-in EQ controls for echo, treble, and bass, making your voice resonate harmoniously with the music. And with the inclusion of two wireless UHF Microphones, the stage is open for duets and collaborations.

The X9's playback options include Bluetooth, AUX, USB, and PA, empowering you to control your music source. Best of all, the Festoso's free mobile app makes it easy to control your sound from your smart device. Whether you're an aspiring diva, a party enthusiast, or someone who just loves to make memories with music, the Festoso X9 guarantees a mobile karaoke experience like no other. Unleash your inner star and let the melodies roll!

Sing on!

[Welcome]





It's the whole package!

Parts & features

What's included...

1x MASINGO Karaoke Machine

2x UHF Wireless Microphones

1x 3.5 mm AUX Cable

1x 3.5 mm AUX-RCA Cable

1x 18V Power Adapter

2x Microphone Holsters

1x Device Holder

1x Remote Controller

1x Performer's Manual



Diagram A

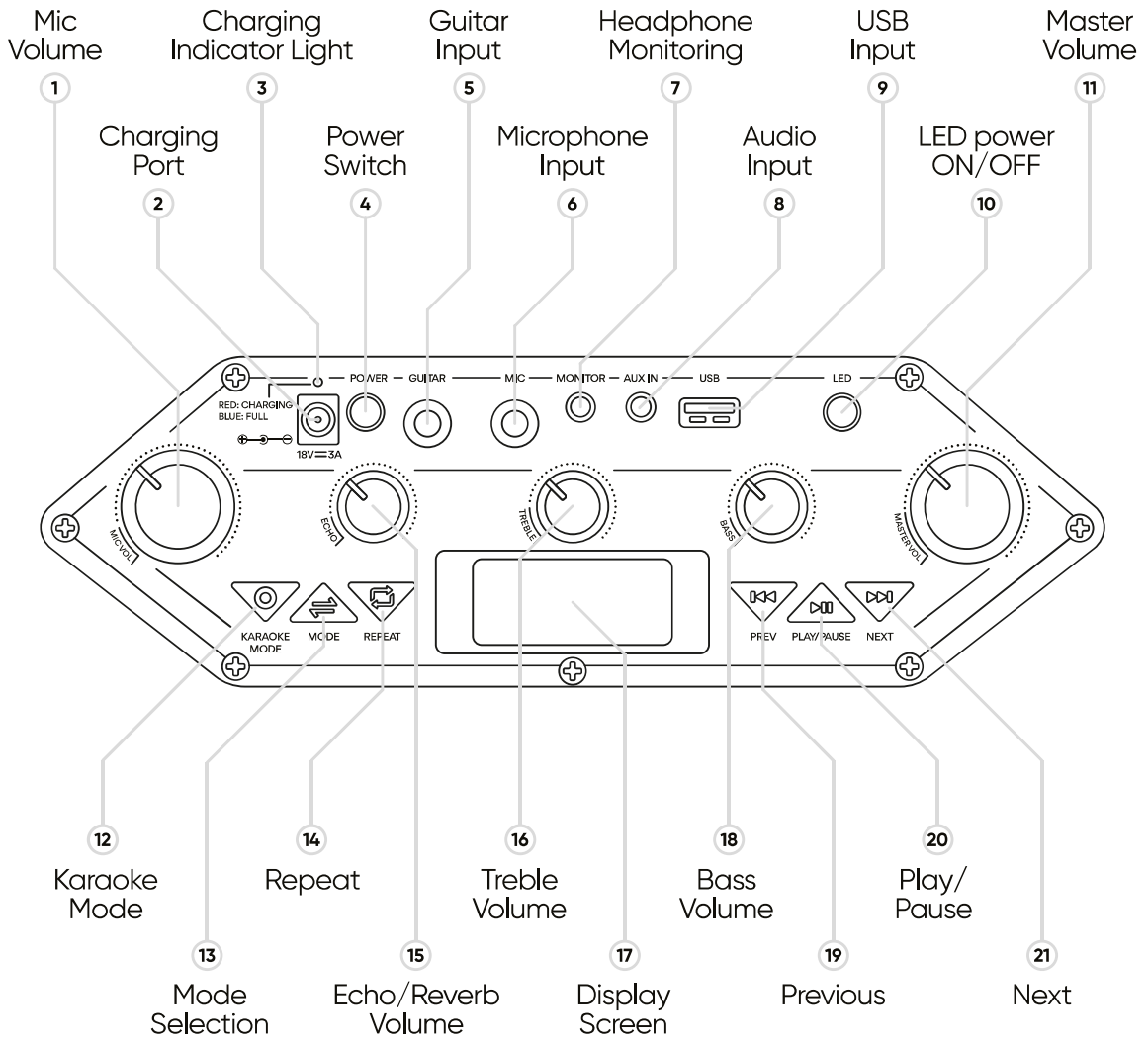


Diagram B

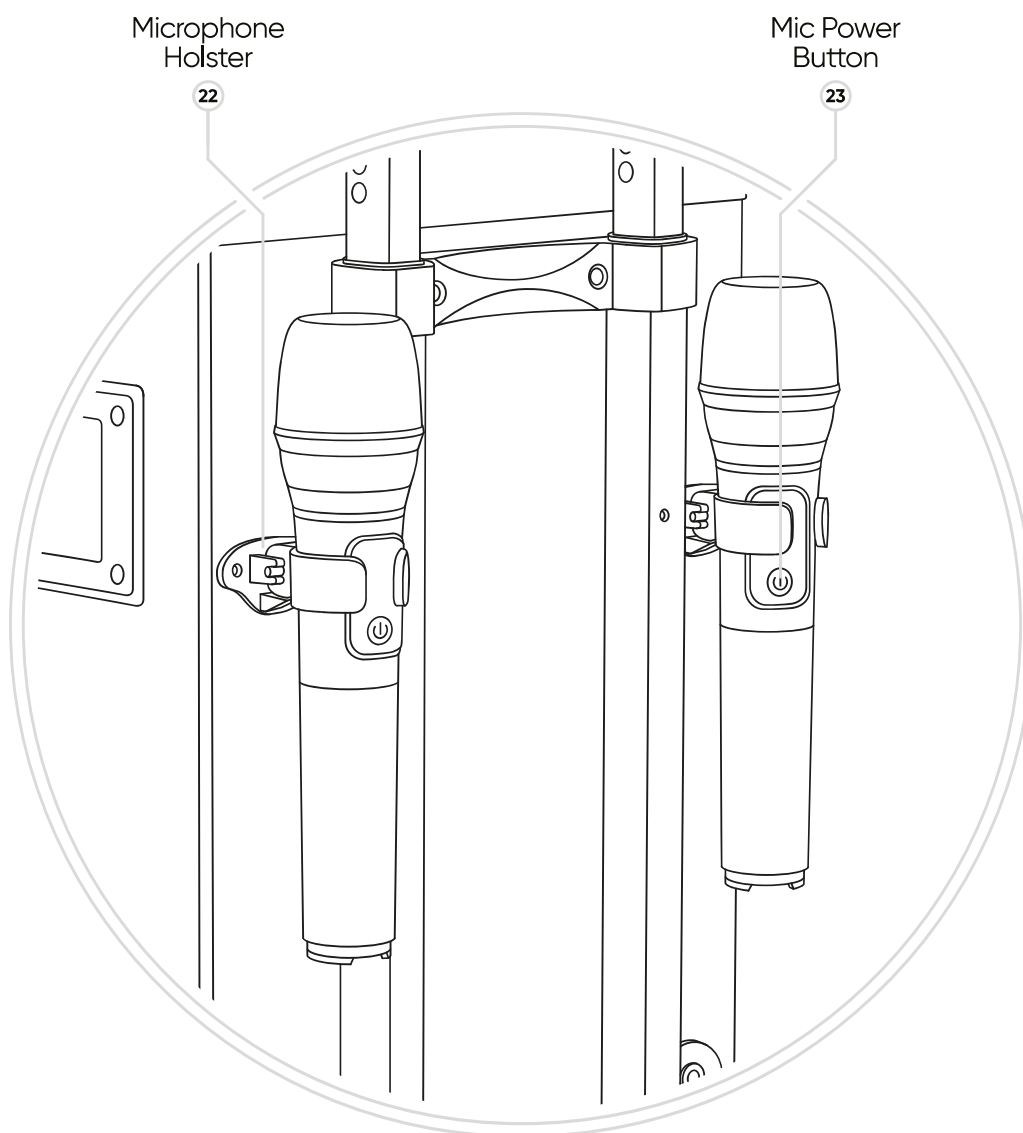
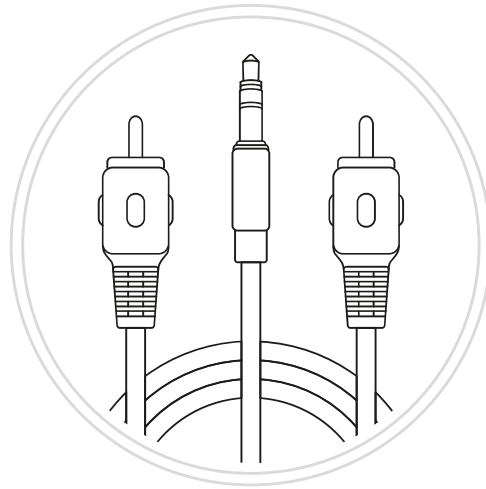
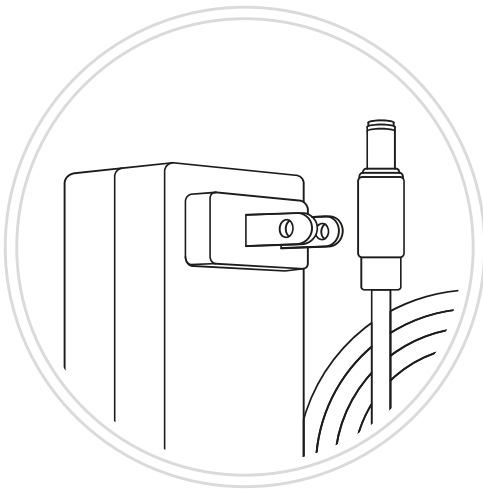


Diagram C

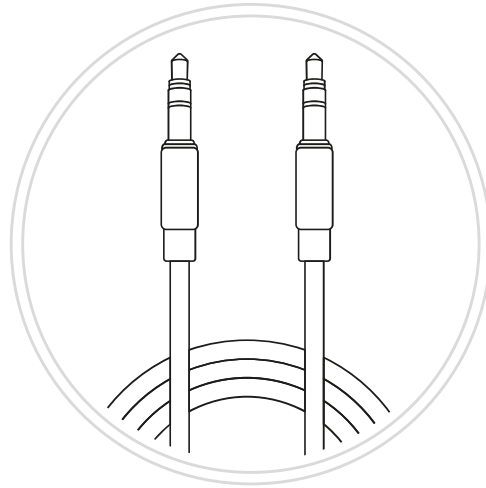
3.5 mm AUX to RCA Cable **24**



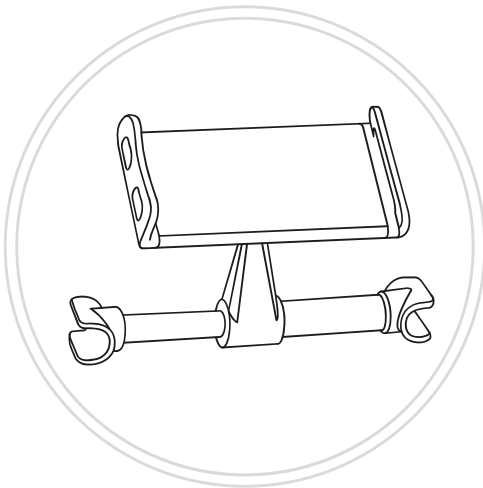
25 18V Power Adapter



AUX Cable **26**



27 Device Holder



2

Take note:

Review before using

1. Keep this manual for future reference.
2. Adhere to all warnings.
3. Keep ventilation openings clear; do not block any of this machine's vents/openings.
4. Install and set up the machine according to the manufacturer's instructions provided in this manual.
5. Do not install near any heat sources (i.e. radiators, heat registers, stoves, amplifiers, or any other objects that produce heat).
6. Protect the machine's power adapter. Prevent the power adapter from being walked on or pinched – particularly at the plug, wall outlet, and the connection to the machine.
7. Unplug the machine during lightning storms or when unused for long periods of time.
8. Refer all technical services to qualified personnel. Servicing is required when the machine has been damaged in any way, such as damage to the power adapter cord or plug, contact with liquid, exposure to moisture or rain, if the machine has been dropped, or anything else which may cause the machine to fail to operate normally.
9. Do not force a USB drive into its slot. It can only be inserted in one direction. If the drive does not insert easily, remove it, flip it over and try again.
10. To maintain peak performance and battery longevity, fully charge the karaoke machine at least once every month and before storing it away for a long period of time.





Check the machine for damage before each use.



Clean and store the device after each use.



Do not expose this product to water, moisture, heat, or steam. Do not place objects filled with liquid on this product.



Do not use the product with attachments not approved by the manufacturer.



When using the product outdoors, do not use it in wet or very hot weather. Do not place the machine in direct sunlight.
Do not run a charging cable through puddles or other moisture.



Do not expose batteries to excessive heat such as sunshine, fire, or other heat sources to reduce the risk of fire or explosion.

3

Ready, Set, Sing! **Quick Start Guide**

#1

Charge the machine.

#2

Set up a wireless microphone.

#3

Power on the machine.

#4

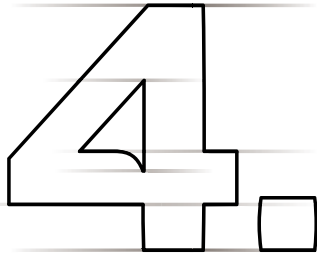
Activate one of the music modes:
Bluetooth, AUX, USB, or PA.

#5

Sing your heart out!

Note: See the “Detailed Usage Guide” section of this manual for more information on how to operate your machine.





Never Miss a Note

Detailed Usage Guide

Machine

How to turn the machine on/off

Press and hold the **Power** (4) button to turn the machine on and off. As it powers on, the LED screen will read "HI" and the machine will say "Power On." Press the button again to turn the machine off.

How to charge the machine

Plug in the machine's **Power Adapter** (25) into the **Charging Port** (2) machine charging port on the function board. Then connect the power adapter into a polarized wall outlet. Be sure to charge fully (charging time: 6-8 hours) before each use.

How to adjust the Machine Volume

Turn the **Master Volume** (11) knob to adjust the volume up and down on the machine. If your smart device is connected via Bluetooth, you may also use the smart device's controls to adjust the machine volume.

How to operate the LEDs

While the machine is on, press the **LED** (10) button to turn on the LEDs. Press it again to turn them off. While the LEDs are on, you'll see the front panel light up with a fire-like effect. The disco ball on the top of the machine will also light up in sync with the rhythm of the music. If you tap the top of the machine near the disco ball, it will sync with your tapping.

Note: There is only one LED mode. It cannot be adjusted.

How to use Karaoke Mode

Karaoke Mode is a unique function that allows you to add your voice over the audio tracks playing through the speaker. There are two versions of this mode: Mode 1: "Classic Karaoke Mode" removes all vocals from the track; Mode 2: "Auto Vocal Removal" reduces the vocal only when someone is singing into the mic. Click the **Karaoke Mode** (12) button once for Classic, twice for Auto, and click again to turn it off.

How to use Voice Effects

This machine features five different voice effect modes—Monster, Male, Female, Baby, and Magic. Hold down the **Karaoke Mode** (12) button to activate the first mode in the sequence, then hold it down again to switch to the last mode. After you've reached the last mode in the sequence, the next mode will be OFF. Hold the button down again to return to the first effect, Monster.

How to use the EQ

The EQ consists of three separate control knobs on the control panel: **Echo/Reverb** (15), **Treble** (16), and **Bass** (18). Turn each knob to the right to adjust that effect. Return all effects to normal by turning all knobs to the left.

How to use the Repeat button

Click the **Repeat** (14) button once to enable "repeat once"—the setting that repeats the current song. Double click the **Repeat** button to enable "repeat all"—the setting that repeats all songs in the playlist.

How to use the Monitor function

The monitor function enables you to listen to the mix with headphones. Plug any 3.5 mm jack of a headphone cable into the **Monitor** (7) input. Ensure the **Master Volume** (11) and the headphone volume are both set to mid-level.



How to connect the machine to your television

The Festoso X9 has the ability to play your TV's audio through its speakers. Connect the included **AUX-RCA Cable** (24) to the **3.5 mm AUX Port** (8). Connect the other end to your TV's RCA port.

How to attach the Device Holder

The Festoso X9 comes with a **Device Holder** that's adjustable to accommodate a variety of device sizes. Press the spring-loaded arms in on each side and place the holder between the extendable handle. Release the arms to press on the inside of the handle to secure it. Place your smart device in the holder and adjust to the correct size.

Microphones

How to turn the microphones on/off

For both wireless microphones, hold down the **Mic Power Button** (23) up to turn the microphone on. The LED screen will display a frequency, battery level, and a connection icon. Hold it down again to turn the microphones off.

How to adjust the microphone volume

Turn the **Mic Volume** (1) knob to the right to increase the microphone volume.

How to connect a third-party wired microphone

Gently but firmly plug the 6.5 mm AUX jack at the end of any third-party wired microphone into the **6.5mm Mic Input** (6) on the machine's function board. Adjust the volume using the **Mic Volume** (1) knob.

How to install or replace the UHF microphone's batteries

Unscrew the cap on the bottom of the microphone and insert two AA batteries (not included) into the proper slots. Screw the cap back on, and proceed to power on the microphone as directed above.

How to use PA mode

When there is no music playing, this machine can be used to make PA announcements. Simply speak into a microphone by ensuring that it is properly connected as instructed above.

How to transport

The Festoso X9 was designed intentionally with wheels at the bottom for easy transportation. Simply unplug all wires and extend the handle on the machine to roll it around just like a suitcase. Place the microphones in the holsters. The machine can also be carried using the sturdy handles on each side.

Music

How to set up playback modes

Your machine has four different playback modes: Bluetooth, AUX, USB, and PA. Each has its own set-up method. See the "Content/Parts" section above for input locations and the relevant subsections for more information on how to set up your preferred playback mode.



How to connect to Bluetooth *(using your smart device)*

When powered on, the machine's LED screen will read "Hi." Next, it will read "BLUE" and the machine will say "Bluetooth Mode." To connect to Bluetooth, simply search for the machine name "MASINGO" under your playback device's Bluetooth connection settings and connect as you would any other Bluetooth device. Once connected, the machine will say "Bluetooth Connected." To ensure continuous stability of the signal, keep the speaker and mobile device in close proximity, no more than 10 meters apart.

Caution: Do not turn your smart device volume to maximum or damage to speakers may occur. Place your device volume at midrange and then adjust the volume using the **Master Volume** (11) knob on the machine. You may use both the controls on your smart device or the machine controls to play, pause, or switch between tracks.

How to start USB mode *(Playing music from a USB drive)*

Plug a USB drive into the **USB-A Input** (9). Once connected, press the **Mode** (13) button to switch to USB mode. The LED screen will read "USB" and the machine will say "USB mode." If the USB device does not contain audio files, it will automatically switch back to Bluetooth mode or AUX mode.

Press the **Play/Pause** (20) button to begin playing your music. Press the **Previous** (19) or **Next** (21) buttons to change tracks. Press the **Play/Pause** button again to pause the track.

Note: The **Mode** button will only cycle through to USB mode if a USB drive containing audio files is connected. Press the Mode button repeatedly to cycle through each of the available modes.

How to start AUX mode

Connect a device using the included 3.5 mm **AUX cable** (26). Plug one end into your device, and the other end into the **AUX input** (8). Press the **Mode** (13) button until you reach AUX mode. The LED screen will read "LINE" and the machine will say "AUX mode."

How to use multiple playback modes

To use playback modes interchangeably, simply activate each mode according to the instructions above, then press **Mode** (13) to switch between the inputs.

How to sing karaoke using your machine

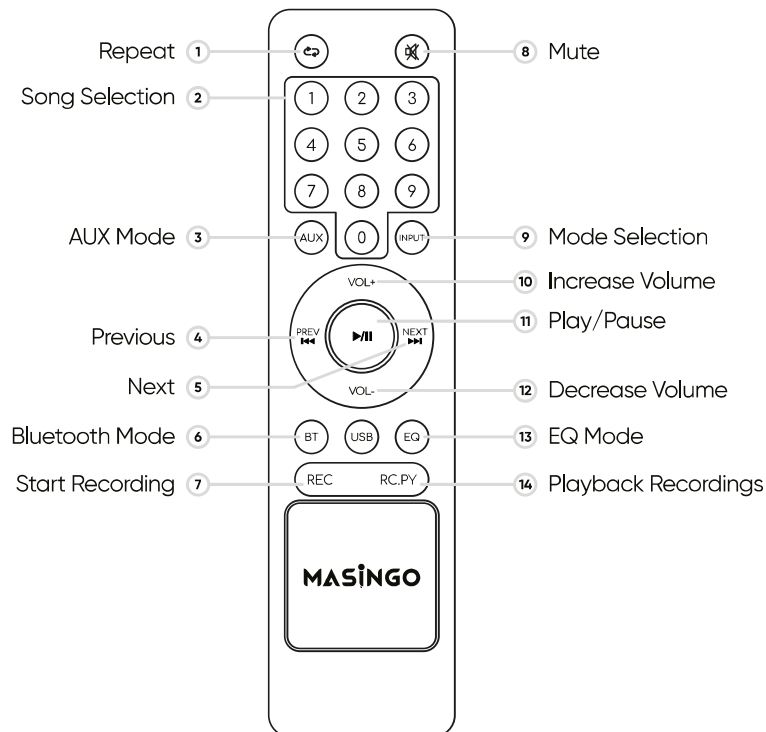
1. Find a karaoke track of your preferred song online. Karaoke tracks are available for thousands of songs through various online karaoke music services. Many are also available for free on YouTube channels such as "Sing King," etc. These services often include lyrics.
 2. Stream it from your device via Bluetooth, download the track to USB, or connect a device via AUX cable.
 3. Click/short press the Mode button to set up your preferred playback mode.
 4. Rock on!
-



Remote

How to use the Remote Controller

Under normal circumstances, the remote controller should aim directly at the machine, within 6 meters and at a 30 degree angle. Ensure there are no obstacles between the remote and the machine. Keep the machine and the remote out of direct sunlight to avoid the interference of glare, which may affect the remote's infrared signal. Replace the remote controller's batteries regularly.



How to repeat

Click the **Repeat** (1) button once to enable "repeat once"—the setting that repeats the current song. Double click the **Repeat** button to enable "repeat all"—the setting that repeats all songs in the playlist.

How to jump to a track using Song Selection

Song Selection allows you to enter the number of any song in your playlist to jump directly to that track while using USB mode. Enter the corresponding song number onto the **keypad** (2) of the remote.

How to enable AUX Mode

Click the **AUX** (3) button on the remote.

How to skip to the previous or next song

Press the **PREV** (4) and **NEXT** (5) buttons on the remote to navigate between tracks.

How to enable Bluetooth Mode

Click the **BT** (6) button on the remote.

How to record

Click the **REC** (7) button on the remote. Click it again to stop recording.

How to mute

Locate the **Mute** (8) button in the top right corner of the remote. Click it once to mute; click it again to un-mute.

How to switch between modes

Click the **INPUT** (9) button on the remote. Each time you press it, the machine will cycle to a different playback mode and display the mode on the LED screen. There are four modes available—Bluetooth, AUX, USB, and PA.

How to increase or decrease volume

Click the **VOL+** (10) and **VOL-** (12) buttons to increase or decrease the volume of the music.

How to play/pause

Click the **Play/Pause** (11) button in the middle of the remote to play or pause the music.

How to use EQ mode

Press the **EQ** (13) button on the remote. Each time you press it, the machine will switch to the next mode in the cycle.

How to playback your recordings

Press the **RC PY** (14) button on the remote to enable playback of your previous recordings. Press the **Play/Pause** (11) button to play or pause the recording. Use the **PREV** (4) and **NEXT** (5) buttons to navigate between recordings. Press the **RC PY** button again to disable playback.

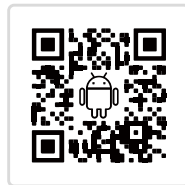


App

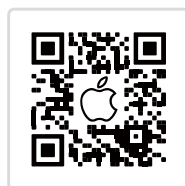
How to use the MASINGO App

The Festoso X9 has its own mobile app, giving you total control of your sound from your smart device. With the app, it's easy to adjust mic and guitar input settings, headset volume, live volume, get creative with sound effects, switch between playback modes, and more.

To download the app for Android devices, scan the QR code below using your phone's camera app:



To download the app for Apple devices, scan the QR code below using your phone's camera app:



**The app will not be downloadable from the Google Play Store on Android phones or the App Store on iPhones. It will only be accessible from the QR code links above. To enable the download of apps from QR code links, follow the instructions below.*

Android Phones

1. Navigate to Settings > Security.
 2. Tap the option for "Unknown sources."
 3. Tap OK on the prompt message.
 4. Tap "Trust."
-

Apple iPhones

1. Open the Settings app.
 2. Scroll down and tap the "General" tab.
 3. Tap "Profiles & Device Management."
 4. Tap the profile associated with the Festoso app.
 5. Tap "Trust" and then "Trust" again to confirm.
-

Home Page



How to connect to the machine

Open the App, click "Festoso X9 APP." Click CONNECT to scan for Bluetooth devices. (Note: After successful connection, the logo icon will change from white to red.)

How to adjust the Mic/Guitar Volume

Tap the Mic/Guitar knob on the screen and scroll to the right to increase the volume.

How to adjust Machine Volume

From the home page, tap the Music knob and scroll to the right to increase the volume.

How to Mute

Tap the Mute switch to mute on/off. (When adjusting the amplifier/music volume, the mute function will be automatically off.)



Guitar/Microphone Channel Page

From the home page of the app, tap the arrow to the right of Guitar/Mic Volume. A new page, called Guitar/Mic Channel, will open.



How to adjust Volume, Echo and Reverb

Locate the controls for Volume, Echo, and Reverb at the top of the page. Tap each knob and scroll to the right to increase the controls.

How to use Mic Effects

From the home page of the app, tap the arrow to the right of Guitar/Mic Volume. A new page, called Guitar/Mic Channel, will open. Scroll the vertical selector to choose between Reverb, Echo, and Reverb+Echo.

What is Reverb?

Reverb is an audio effect that increases the listener's perception of the room's size. Turn up the reverb to make your audio sound "bigger," as though you were performing in a music hall instead of a living room.

What is Echo?

Echo is a sound effect that results from sound waves reflecting back off a hard surface. You've probably heard it before if you've ever visited a cave. The more you turn up the echo, the longer the repetition of your voice will last.

The combination of Reverb and Echo

Creates a dreamy effect that makes you sound like a rock star!

How to use Mic Priority

From the home page of the app, tap the arrow to the right of Guitar/Mic Volume. A new page, called Guitar/Mic Channel, will open. Tap the Mic Priority switch. This will dampen background music to allow the mic's vocal inputs to be heard clearly. Use Mic Priority to speak easily over the music for announcements without having to pause the music your guests are enjoying.

How to use EQ

From the home page of the app, tap the arrow to the right of Guitar/Mic Volume. A new page, called Guitar/Mic Channel, will open. At the bottom of the page, you'll find EQ controls. Tap each control to adjust the frequency until you've achieved your preferred sound. Tap the Reset button to return all settings to zero.

Music Channel Page

From the home page of the app, tap the arrow to the right of Music. A new page, called Music Channel, will open.



How to return to the previous page

Click "Home" to return.

Music Volume

Adjust the volume by manually rotating the music volume knob on the channel page (clockwise to increase, counter-clockwise to decrease).

Song selection

Song Selection allows you to enter the number of any song in your playlist to jump directly to that track while using USB mode. Enter the corresponding song number on the USB drive and click OK to jump to that song.

Input channel selection

Select an available input with one tap: AUX, BT (Bluetooth), and USB.

AUX: Click the AUX option to enter AUX mode.

BT: Click the BT option to enter Bluetooth mode.

USB: Insert a USB drive into the machine, then click the USB option to enter USB mode. This mode can only be accessed if a USB drive is inserted.



How to Play, Pause, Skip, and Repeat Songs

Previous and Next Song: Use the left arrow to skip back, and the right arrow to skip forward.

Play/Pause: Use the Play/Pause option to play or pause your music.

Repeat: Tap the *arrows in a circle* to set a song to repeat. It will play on repeat until you click repeat once again.

How to Record to a device

Start recording: Insert a USB drive into the machine, then tap the red Record button to enter recording mode. When using the external memory card for the first time, the system will automatically create a new file named VOICE/RECORD/REC. All subsequent recordings will follow the naming convention of REC001, REC002, and so on.

Stop recording: Press the INPUT or REC button to exit recording mode.

Play recordings: Input USB card. If there are recording files in the USB card, press PLAY to play the recordings. Press the **Prev** (19) and **Next** (21) buttons on the machine to select the recording files.

How to use Karaoke Mode

Karaoke Mode is a unique function that allows you to add your voice over the audio tracks playing through the speaker. There are two versions of this mode.

To activate "**Classic Karaoke Mode**", which removes all vocals from the track, tap ACC. To activate "**Auto Accompaniment**", which reduces the vocal only when someone is singing into the mic, tap AUTO ACC. To deactivate either Karaoke Mode, tap ORIGINAL.

EQ Balance

There are 7 EQ segments that can be adjusted by dragging the knobs up or down.

Reset

Return all values on the 7- segment EQ to 0db by clicking Reset.

Maintenance

How to clean

Turn the machine and microphones off. Unplug the machine's power adapter and disconnect any USB plug-ins.

Gently wipe the outside of the machine using a clean, dry cloth. Keep all vents, buttons, and openings free of lint and dirt. Do not immerse the machine in water and do not use any harsh cleaners.

How to store

Charge the machine and microphones so that they are ready for next use. Make sure that the machine is clean and dry.

Bind the power adapter and included cables individually and gently with electrician-approved fasteners. (*Note:* Do not wrap or fold against the natural bend of the cords or cable). Do not wrap the cord around the machine. Store the machine in a cool, dry place away from damaging elements.

For best results, clean and store the machine after each use.



5

When Things Go Flat Troubleshooting guide

Problem	Solution
Machine is not turning on	The battery is depleted. Be sure to charge the machine after each use.
The Machine Battery Indicator Light (3) is flashing	The battery is low. Please charge the machine.
UHF wireless microphone is not turning on	Ensure the microphone is powered on and the battery icon on the microphone's LED screen displays a sufficient charge. If this does not solve the issue, the Microphone battery is low or depleted. Replace the AA batteries in the microphone.
USB mode is not working	Ensure that the USB drive is inserted properly and that there are readable music files stored on the drive. Ensure that the machine volume is turned to an audible level.
Machine is not playing microphone vocals	First check that the microphone volume is turned up. If you're using a third-party wired microphone, ensure it's plugged in correctly. Ensure that the wireless microphone's batteries are installed correctly and still have charge. Ensure that the machine volume is on.

Microphone vocals are echoing excessively	If the echo is excessive, move the machine speaker further away from the microphones to reduce echo.
Machine powers on and then shuts down	The battery is low. Please charge the machine.
No sound is playing from the speaker	Ensure that the volume on the machine and your device (if applicable) are both set to an audible level.
Button or knob on the machine is not working properly	Power off the machine and turn it back on.
The monitor function is not working	Ensure the 3.5 mm jack of your monitor cable is plugged in all the way. Ensure the Master Volume (11) set to mid-level.
The remote is not working	If the remote is not functioning, please change the batteries.

If any of these issues persist, or if any part of the machine becomes damaged, discontinue use and consult a licensed electrician for repair. Do not attempt to modify or repair the machine yourself. You can also contact our customer service department (see the last page).



FCC Statement

This device complies with part 15 of the FCC rules. Operation is subject to the following two conditions: (1) this device may not cause harmful interference, and (2) this device must accept any interference received, including interference that may cause undesired operation.

Changes or modifications not expressly approved by the party responsible for compliance could void the user's authority to operate the equipment.

NOTE: This equipment has been tested and found to comply with the limits for a Class B digital device, pursuant to part 15 of the FCC Rules. These limits are designed to provide reasonable protection against harmful interference in a residential installation. This equipment generates uses and can radiate radio frequency energy and, if not installed and used in accordance with the instructions, may cause harmful interference to radio communications. However, there is no guarantee that interference will not occur in a particular installation. If this equipment does cause harmful interference to radio or television reception, which can be determined by turning the equipment off and on, the user is encouraged to try to correct the interference by one or more of the following measures:

- Reorient or relocate the receiving antenna.
- Increase the separation between the equipment and receiver.
- Connect the equipment into an outlet on a circuit different from that to which the receiver is connected.
- Consult the dealer or an experienced radio/TV technician for help.

The device has been evaluated to meet general RF exposure requirement. The device can be used in portable exposure condition without restriction.

ISED Statement

- English: This device complies with Industry Canada license-exempt RSS standard(s). Operation is subject to the following two conditions: (1) This device may not cause interference, and (2) This device must accept any interference, including interference that may cause undesired operation of the device. The digital apparatus complies with Canadian CAN ICES-3 (B)/NMB-3(B).

- French: Le présent appareil est conforme aux CNR d'Industrie Canada applicables aux appareils radio exempts de licence. L'exploitation est autorisée aux deux conditions suivantes: (1) l'appareil ne doit pas produire de brouillage, et (2) l'utilisateur de l'appareil doit accepter tout brouillage radioélectrique subi, même si le brouillage est susceptible d'en compromettre le fonctionnement. L'appareil numérique du CIEM conforme canadien peut - 3 (b) / nmb - 3 (b).

This device meets the exemption from the routine evaluation limits in section 2.5 of RSS 102 and compliance with RSS 102 RF exposure, users can obtain Canadian information on RF exposure and compliance.

Cet appareil est conforme à l'exemption des limites d'évaluation courante dans la section 2.5 du CNR - 102 et conforme avec RSS 102 de l'exposition aux RF, les utilisateurs peuvent obtenir des données canadiennes sur l'exposition aux champs RF et la conformité.

This equipment complies with Canada radiation exposure limits set forth for an uncontrolled environment.

This equipment should be installed and operated with minimum distance 0cm between the radiator & your body.

Cet équipement est conforme Canada limites d'exposition aux radiations dans un environnement non contrôlé.

Cet équipement doit être installé et utilisé avec une distance minimale de 0 cm entre le radiateur et votre corps.



Don't end things on a bad note

We're here for you.

If you encounter any issues with your machine—or if you have any questions or comments—please feel free to contact us. Have your warranty information on hand for faster service.

90-DAY
LIMITED
WARRANTY



1844-262-7464



support@masingo.com



www.masingo.com

Love your new machine?
We want to hear about it!

