

MASINGO

It's a karaoke **PARTY** all night long

Projector Karaoke Machine *Illuminato Q4*

USER MANUAL

▶▶▶

MASINGO

Performer's Manual



Projector Karaoke Machine - Illuminato Q4

Congratulations!

You've just taken your party game up a notch

You've just taken your party game up a notch.

Let the silver screen light your way to superstardom with the **Illuminato Q4** from Masingo—a combination karaoke machine, party speaker, and movie projector.

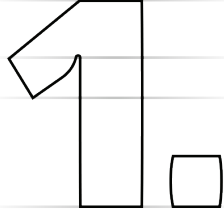
The Illuminato Q4 contains a fully-functional, web-capable Android operating system that is compatible with all your favorite music and movie apps. Sing out some show tunes with Grandma, blast out big hits with your pals, or host Halloween movie night with your homies!

In addition to access to, oh...every movie and song ever created via the magic of the internet, the Illuminato also operates in Bluetooth, AUX, AV, USB, and HDMI modes. Whether you are holding a karaoke contest or cuddling up to watch Casablanca, this box of magic is sure to delight the whole family.

Want to take your show on the road? The clever carry handle lets you take the tunes from birthday to block party. When all is said and sung, just clip the mics to the side and turn off the machine. In no time at all, you'll be ready for an encore. Sing on!

Sing on!





It's the whole package!

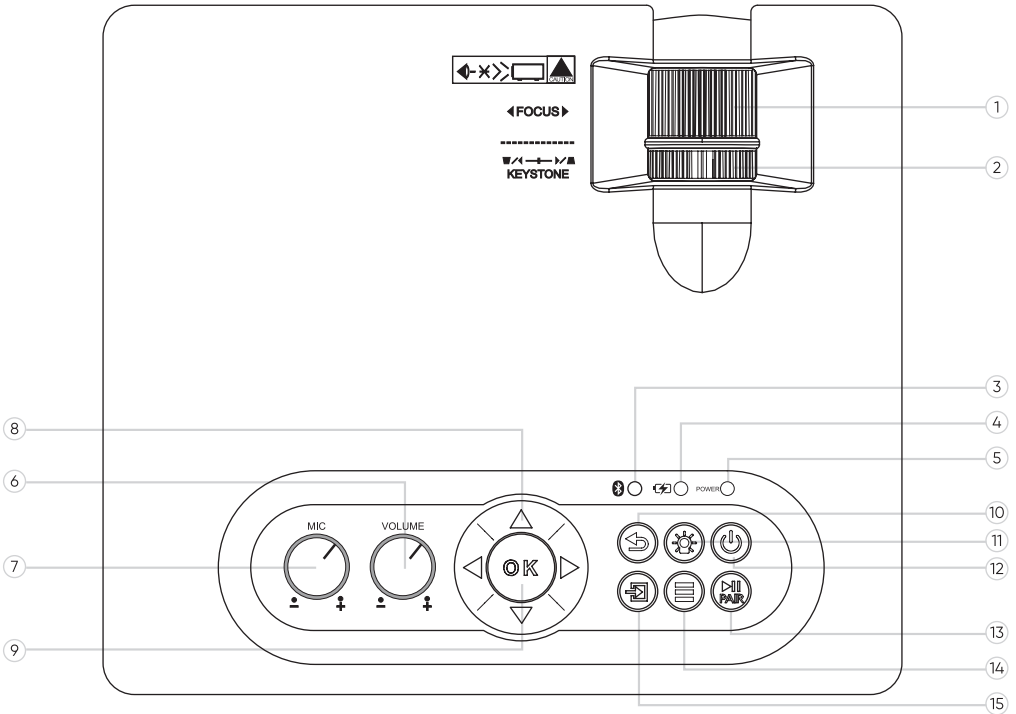
Parts & features

What's included...

- 1X Masingo Projector Karaoke Machine
- 1X Lens Cap
- 2X Wireless Microphones
- 1X Remote Control
- 1X Charging (DC15V) Cable
- 1X Power Adaptor
- 1X Performer's Manual
- 1X USB Mouse

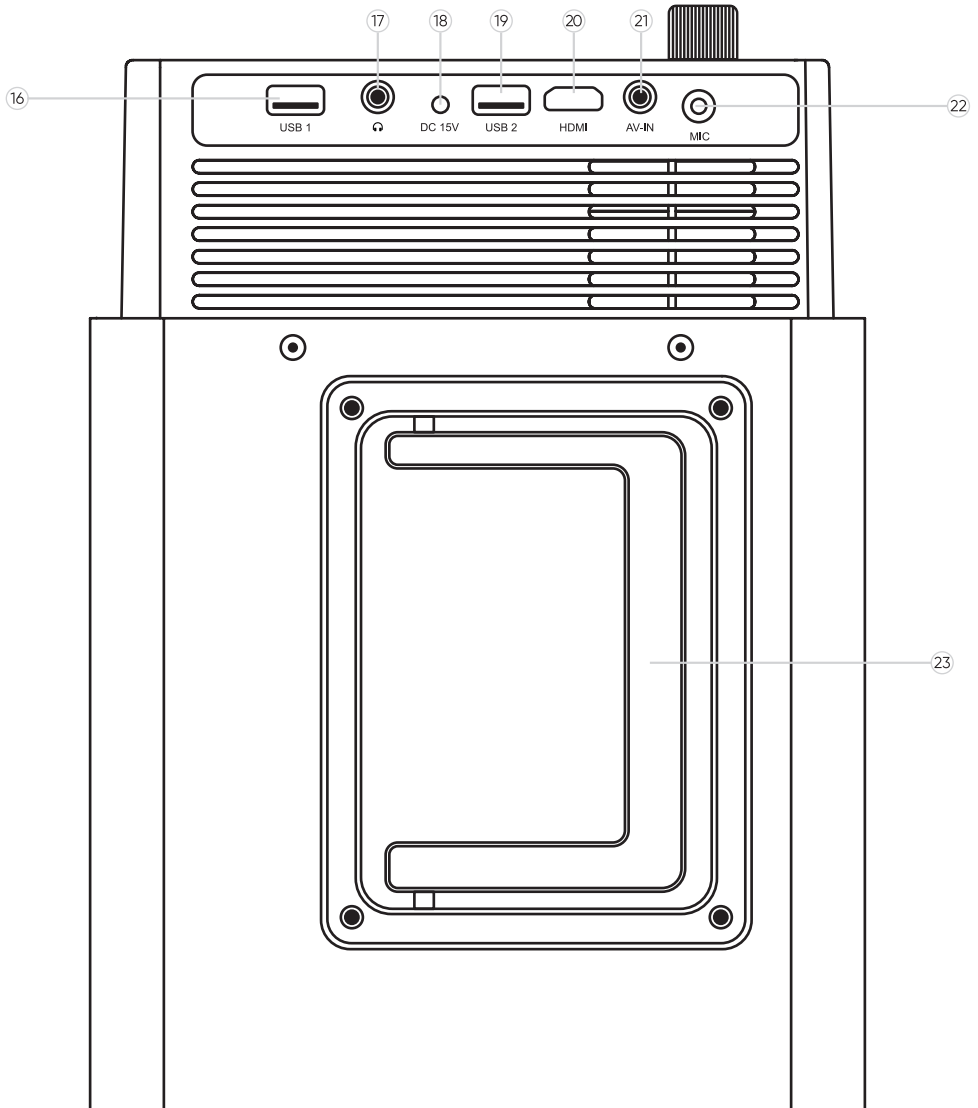


Top Panel Diagram



- | | |
|------------------------------|--------------------------------|
| 1. Lens Focus | 9. OK (select) |
| 2. Lens Keystone (pitch) | 10. Return |
| 3. Bluetooth Indicator Light | 11. Projector Light (on/off) |
| 4. Charging Indicator Light | 12. Projector Power (on/off) |
| 5. Power Indicator Light | 13. Play/Pause/Pair |
| 6. Audio Volume | 14. Menu (machine settings) |
| 7. Mic Volume | 15. Input (source) USB Slot #1 |
| 8. Navigation Controls | |

Side Panel Diagram



16. USB Slot #1

17. 3.5 mm AUX (in) Port

18. DC 115V Charging Port

19. USB Slot #2

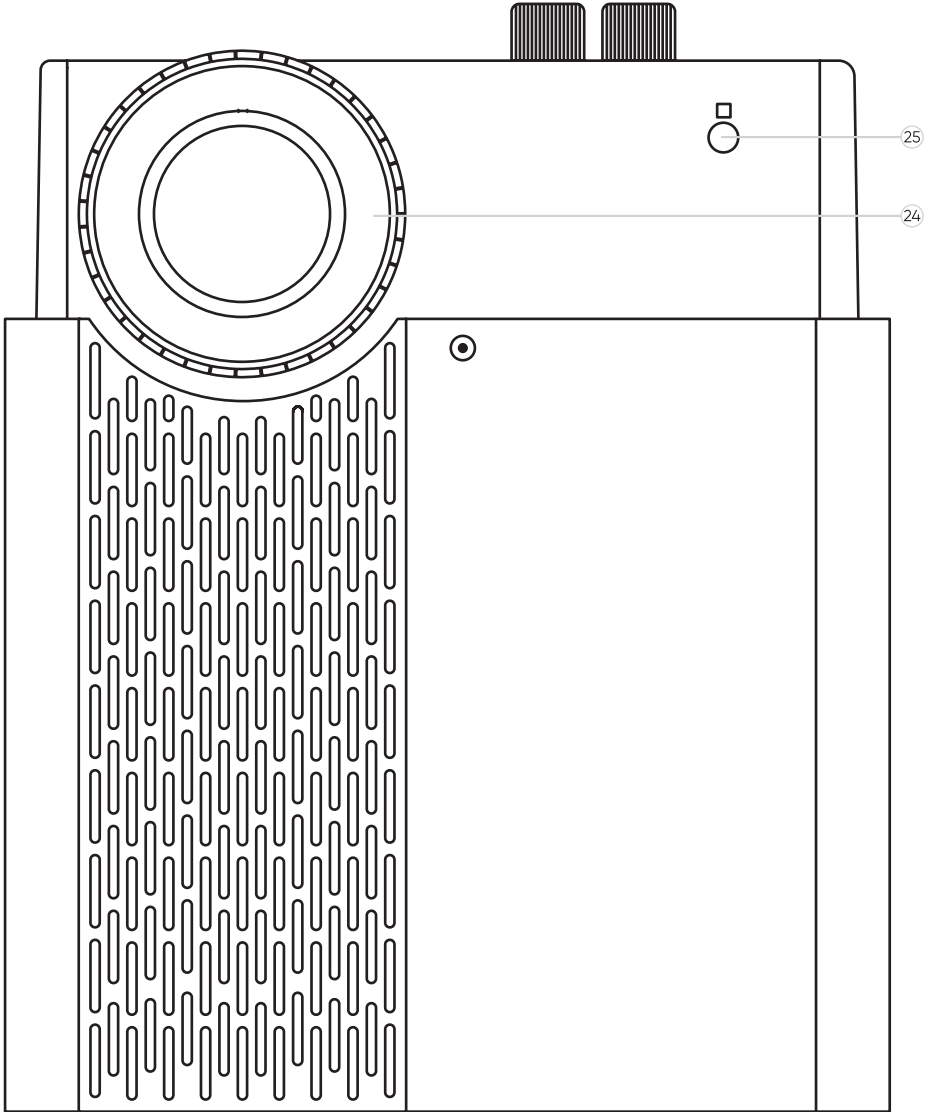
20. HDMI Line In

21. AV (in) Port

22. 6.5mm Input

23. Carry Handle

Front Views

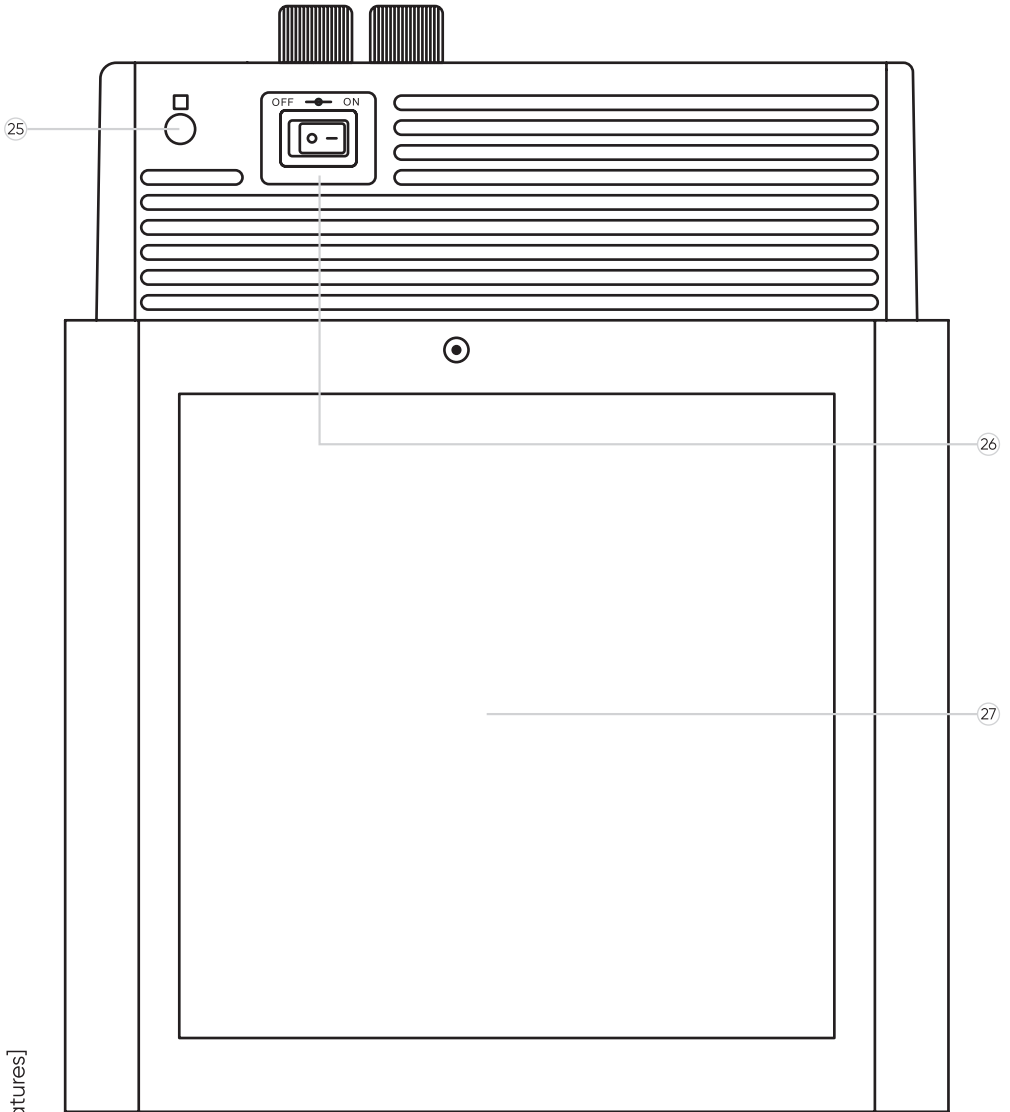


- 24. Projector Lens
- 25. Infrared Sensor

[Parts & Features]



Side Views



26. Machine Power

27. Speaker

[Parts & Features]



Remote Control

POWER

Turn on/off standby mode

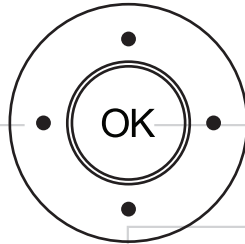


MUTE

Mute volume

NAVIGATION CONTROLS

Select up, down, right, left, next, or previous



OK

Select

RETURN

Go back



MOUSE

Makes remote a visual pointer

MENU

(n/a-button is placeholder)

VOLUME

Adjust volume up/down



MOUSE

Makes remote a visual pointer

SETTINGS

Open system settings screen

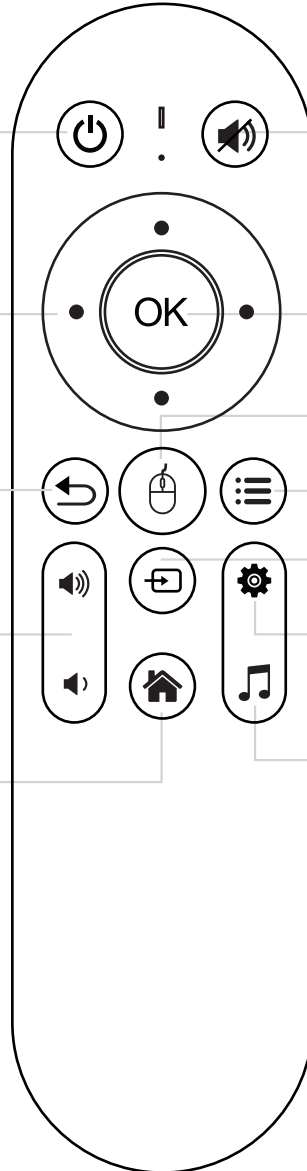
HOME

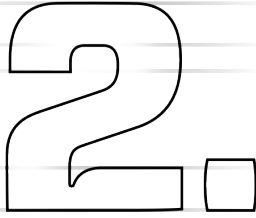
Return to Smart OS home screen



EQ Settings

Access pre-programmed EQ settings





Take note: **Review before using**

1. Keep this manual for future reference.
2. Adhere to all warnings.
3. Keep ventilation openings clear; do not block any of this machine's vents/openings.
4. Install and set up the machine according to the manufacturer's instructions provided in this manual.
5. Do not install near any heat sources (i.e. radiators, heat registers, stoves, amplifiers, or any other objects that produce heat).
6. Use the polarized plug or grounding-type plug carefully. These plugs are made for safety purposes. A polarized plug has two blades with one wider than the other. A grounding-type plug has two blades and a third grounding prong. The wider blade and the third prong are provided for your safety. Please consult an electrician if the provided plug does not fit into your outlet.
7. Protect the machine's power cord. Prevent the power cord from being walked on or pinched – particularly at the plug, wall outlet, and connection to the machine.
8. Unplug the machine during lightning storms or when unused for long periods of time.
9. Refer all technical services to qualified personnel. Servicing is required when the machine has been damaged in any way, such as damage to the power-supply cord or plug, contact with liquid, exposure to moisture or rain, if the machine has been dropped, or anything else which may cause the machine to fail to operate normally.
10. To maintain peak performance and battery longevity, fully charge the Projector Karaoke Machine at least once every three months and before storing it away for a long period of time.





Check the machine for damage before each use.



Clean and store the machine after each use.



Do not expose this product to water, moisture, heat, or steam. Do not place objects filled with liquid on this product.



Do not use the machine with attachments not approved by the manufacturer.



When using the machine outdoors, do not use it in wet or very hot weather. Do not run charging cable through puddles or other moisture.



Do not expose battery to excessive heat such as sunshine, fire, or other heat sources to reduce risk of fire or explosion.



Do not look directly into the projector light



3

Ready, Set, Sing!

Quick Start Guide

#1

Charge the machine and insert two AA batteries into each microphone.

#2

Power on the machine, projector, and microphones.

#3

Focus the projector on a wall or screen.

#4

Connect to your preferred Wifi network.

#5

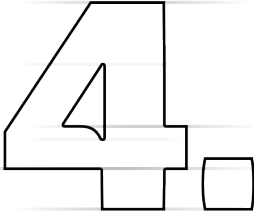
Find your favorite song online and project the lyrics for all to see.

#6

Sing your heart out!

Note: See the "[Detailed Usage Guide](#)" section of this manual for more information on how to operate your machine.





Never Miss a Note

Detailed Usage Guide

Machine

How to charge the machine

Plug the machine's charging cable into the **DC15V** (18) charging port and then plug the cable into the power adaptor. Plug the power adaptor into a polarized wall outlet. Be sure to charge fully before each use. The **Charging Indicator Light** (4) will turn on to indicate charging.

How to turn on the machine

There are two steps to powering on the Illuminato Q4

Flip the **Machine Power** (26) switch towards the side labeled **On** to turn the machine on.

Then push the **Projector Power** (12) button to turn on the projector. The **Power Indicator Light** (5) will turn on.

How to turn the machine off

There are two ways to turn the machine completely off.

- A. Press the **Projector Power** (12) button again and flip the **Machine Power** (26) switch towards the side labeled **Off**.
- B. Press the **Power** button on the remote control. Be sure to flip the **Machine Power** switch back into the off position before storing.

Please note that pressing the **Projector Light** (11) button will only put the projector in sleep mode. Pressing this button does not turn the machine itself off.



How to adjust the machine's volume

Spin the Machine Volume knob clockwise to increase the machine's volume and counterclockwise to decrease it. If the projector light is on, a bar will also appear indicating volume level.

How to access the machine's settings

Please note: The machine's settings are distinct from the Smart OS settings. For more information on the Smart OS settings, please see the 'Smart OS' section.

You can enter the machine settings in one of three ways: by pressing the **Settings** (K) button on the remote, by pressing the **Menu** (14) button on the machine's control panel, or by navigating to the "Settings" tile in the DMP system.

How to alter the machine's settings

Once you are in the settings menu as instructed above, you will be able to use the side **Navigation Controls** on the remote (B) or the machine (8) to switch between "Picture," "Sound," and "Option" modes.

"Picture" mode adjusts the screen's contrast, brightness, color, sharpness, temperature, aspect ratio, and noise reduction.

"Sound" allows you to choose from present settings which optimize the sound balance for different types of media.

"Option" allows you to modify the display language, obtain software updates, and reset the machine to its factory defaults.

You can use the up and down **Navigation Controls** in conjunction with the **OK** (9 or G) button to select specific settings in this mode, the side **Navigation Controls** again to shuffle through each setting, and the **OK** button once more to select the setting of your choice. Press the **Return** button on the remote control (C) or panel (10) to return to the previous screen or the **Home** (E) button to return to the Smart OS system.



Projector

How to begin setting up the projector

- A. Carefully remove the machine's lens cover
- B. Power on the machine as instructed in "How to turn on the machine" above.
- C. Connect to your preferred WiFi network (see the "How to connect to WiFi" section below)
- D. Place your projector in front of a projector screen or blank wall (see chart below)

How far from the screen should you place the projector?

Your projector should be 3 to 10.4 feet from your screen depending on the desired screen size. Please see the accompanying size and distancing chart.

Please note that this chart is an approximate guideline. All distances and sizes might vary by up to 3% depending on keystone, focus, brightness, etc.

Distance	Screen Size
3'	30"
3' 11"	40"
4' 11"	50"
5' 7"	60"
7' 6"	80"
9' 6"	100"
10' 5"	120"

How to reduce image distortion

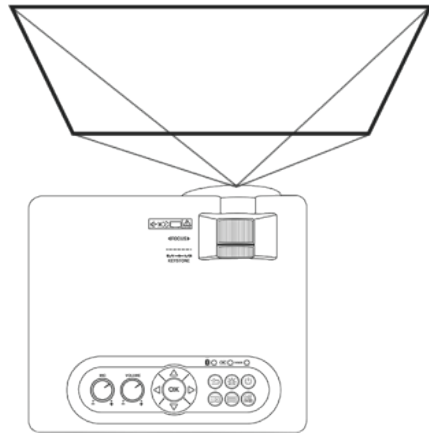
Aim your projector as close to the center of the screen as possible.

For a square or rectangular image, the projector should be as close to the same height as the center of the screen as possible. If the projector is below the screen, please adjust the keystone accordingly (see "How to adjust the keystone" below).



How to adjust the keystone

When the projector beam is at an angle to the screen, the result can be a distorted or trapezoidal image. The **Lens Keystone** (2) can adjust this shape to accommodate the angle. Spinning the **Lens Keystone** to the right (when one is behind the machine) will pitch the image up while spinning it to the left will pitch the image down.



How to adjust the focus

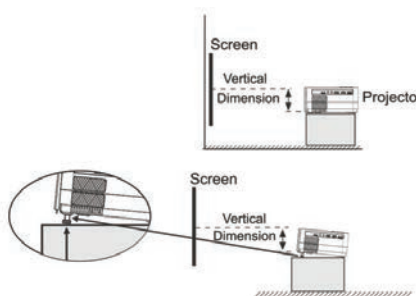
The Lens Focus is adjusted by the **Lens Focus** (1) ring. Spin ring to the left (when standing behind the machine) if the projector is too far from the screen. Spin the **Lens Focus** ring to the right if it is too close.



How to adjust the angle of the projector machine itself

The Illuminato Q4 comes with a large angle adjustment knob at the bottom front of the machine. Twist the knob to raise or lower the front angle of the machine.

PLEASE NOTE: If the knob is twisted too far, it will unscrew completely from the base, and the machine will become unstable. Use caution, twisting it a little at a time until the desired angle is reached.



How to turn off the projector light/How to put the projector in sleep mode

To use the machine's speaker with the projector light powered down, press the **Projector Light** (11) button. This function works best for Bluetooth and Aux playback modes. To reactivate the light, simply press the **Projector Light** (11) button again.

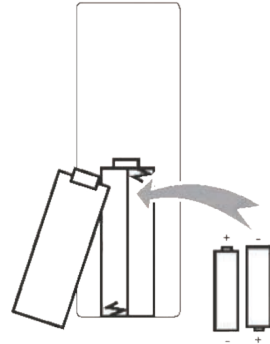
Microphone

How to turn the microphone(s) on/off

Long press the translucent button on each of the microphones to turn them on or off. When the microphone is powered on, the button should light up.

How to replace the microphone batteries

Turn the microphone off. Flip the microphone so the head is facing perpendicularly towards you and the battery panel on the back is facing upward. Using your thumb, slide the panel on the bottom back of each microphone away from you so that it exposes the batteries. Remove the panel completely before removing the old batteries. Install 2 fresh AA batteries with their positive ends facing towards the bottom of the mic. Slide and lock the battery panel back into place.



How to adjust the microphone volume

To adjust the volume level for the microphones, turn the knob labeled **Mic Vol** (7) on the machine's function board to your desired volume level.

Alternatively, you can use the pill slider on each microphone to adjust their volumes individually. Move the pill slider up to increase that mic's volume and down to decrease it.

How to add a third microphone

You can add a third microphone to the Illuminato Q4 in the following ways

- A. For wired microphones or wireless microphones with plug-in adaptors, simply plug the microphone into the appropriate port, either the **6.5 mm Input** (22) port for 6.5 mm mics or the **USB Slot** (16 or 19) for USB mics.
- B. For Bluetooth microphones, turn the microphone to pairing mode, and go to "Accessories" in the SmartOS settings. Select your Bluetooth mic to pair.