

# ***Congratulations!*** You've just taken your party game up a notch.

---

Meet your compact, karaoke buddy – the **Burletta C10 from Masingo**.

The C10 is on hand for convenient karaoke whenever and wherever you desire. Its 10-watt speaker, 6 playback modes, 2 microphones, and colorful LEDs turn your casual fun into seriously good times. Plus, it does double duty for party announcements.

Choose from Bluetooth, AUX, USB, MicroSD, or FM to fill the room with melody. Sing out some show tunes with Grandma, blast out some big hits with your pals, or serenade your sweetheart. Need to take your show on the road? No problem! This portable party can be carried easily by all ages via shoulder strap or handle.

Whatever your musical mood, you'll find the C10 is pitch perfect for any musical occasion!

**Sing on!**

[Welcome]



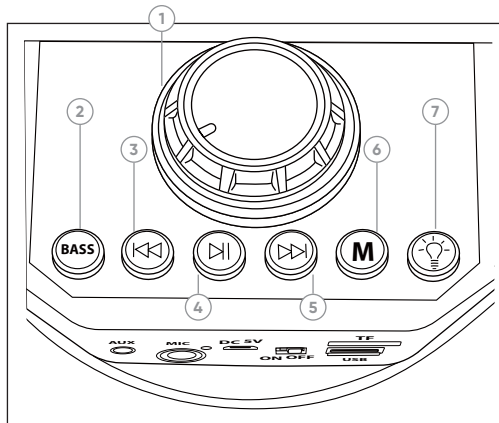
# 1 *It's the Whole Package!*

## Parts & Features

### What's included...

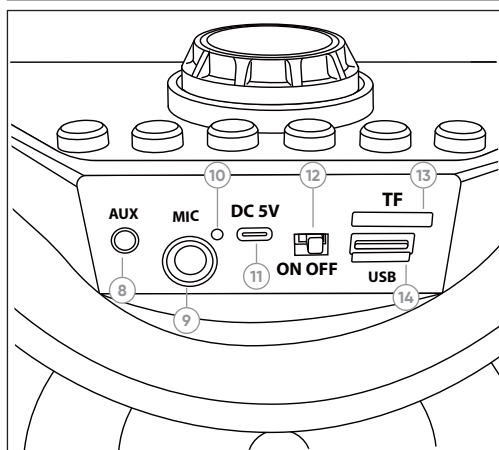
1x Masingo Karaoke Machine  
1x Plug-in microphone  
1x VHF wireless microphone

1x 2xMicroSD charging cable  
1x Shoulder strap  
1x Performer's manual



**Machine Diagram  
Top Control Panel**

1. Master Volume
2. Bass Boost
3. Back
4. Play/Pause
5. Next
6. Mode
7. LEDS



**Machine Diagram  
Front**

8. 3.5mm AUX Line-In
9. 6.5mm Mic Input
10. Charging Indicator Light
11. DC5V Charging Port
12. Power Switch
13. TF Slot (MicroSD)
14. USB Slot



# 2 **Take Note**

## Review Before using

---

- 1) Keep this manual for future reference.
- 2) Adhere to all warnings.
- 3) Keep ventilation openings clear; do not block any of this machine's vents/ openings.
- 4) Install and set up the machine according to the manufacturer's instructions provided in this manual.
- 5) Do not install near any heat sources (i.e. radiators, heat registers, stoves, amplifiers, or any other objects that produce heat).
- 6) Protect the machine's power cord. Prevent the power cord from being walked on or pinched – particularly at the plug, wall outlet, and the connection to the machine.
- 7) Unplug the machine during lightning storms or when unused for long periods of time.
- 8) Refer all technical services to qualified personnel. Servicing is required when the machine has been damaged in any way, such as damage to the power-supply cord or plug, contact with liquid, exposure to moisture or rain, if the machine has been dropped, or anything else which may cause the machine to fail to operate normally.
- 9) Do not force the SD card into its slot. It can only be inserted in one direction. If the card does not insert easily, remove it and try reinserting it in the opposite direction.
- 10) To maintain peak performance and battery longevity, fully charge the karaoke machine at least once every three months and before storing it away for a long period of time.



# 3 *Ready, Set, Sing!* Quick Start Guide

- #1** Charge the machine.
- #2** Set up your preferred microphone.
- #3** Power on the machine.
- #4** Activate your chosen music mode.
- #5** Sing your heart out!

**Note:** See the “Detailed Usage Guide” section of this manual for more information on how to operate your machine.



Check the machine for damage before each use.



Do not use the machine with attachments not approved by the manufacturer.



Clean and store the machine after each use.



Do not expose this product to water, moisture, heat, or steam. Do not place objects filled with liquid on this product.



When using the machine outdoors, do not use it in wet or very hot weather. Do not run charging cable through puddles or other moisture.



Do not expose battery to excessive heat such as sunshine, fire, or other heat sources to reduce risk of fire or explosion.



# 4 *Never Miss a Note* Detailed Usage Guide

## Machine

### How to charge the machine

Plug in the machine's charging cable into the **DC5V** (11) machine charging port on the function board. Connect the machine's charging cable to your own compatible DC 5V charging plug, and then carefully insert your plug into a polarized wall outlet. Be sure to charge fully before each use. The **indicator light** (10) will turn on to indicate charging.

### How to turn the machine on/off

Slide the **Power** (12) switch towards the side labeled **On** to turn the machine on.

To turn it off, slide the same switch towards the side labeled **Off**.

### How to operate the LEDs

LEDs will start automatically when the machine is turned on. Click the **LED button** (7) on the machine's function board to change to a different LED pattern. There are 3 total options.

If the button is clicked once more after cycling through all available LED patterns, the LEDs will turn off. Click the same **LED button** again to reactivate them.



## Microphone

### How to connect the wired microphone

Gently but firmly plug the 6.5 mm AUX jack at the end of the wired microphone into the 6.5mm AUX port (8) on the machine's function board.

### How to install or replace the VHF microphone's batteries

Screw off the bottom half of the microphone and insert two AA batteries (not included) into the proper slots. Screw the covering back on, and proceed to power on the microphone as directed above.

### How to turn the microphones on/off

For both the wireless and the wired microphone, slide the power switch up to turn the microphone on. Slide the power switch down to turn the microphone off.

Note: The wireless microphone has an indicator light. If this switch is not pushed all the way up, the indicator light will not turn on, and the microphone will remain off.

### How to use PA mode

When there is no music playing, this machine can be used to make PA announcements. Simply speak into a microphone by ensuring that it is properly connected as instructed above.



## Music

11

### How to set up playback

Your machine has six different playback options: Bluetooth, MicroSD, AUX, USB, FM, & PA. Each has its own set-up method. See the "Content/Parts" section above for hook-up locations and the relevant subsection below for more information on how to set up your preferred playback mode.

### How to sing karaoke using your machine

- 1) Find a karaoke track of your preferred song online. Karaoke tracks are available for thousands of songs through various online karaoke music services. Many are also available for free on YouTube channels such as "Sing King," etc. These karaoke services often include lyrics.
- 2) Download the track to USB/MicroSD, OR stream it from your device via Bluetooth/AUX.
- 3) Set up your preferred playback mode.
- 4) Rock on!

### How to connect to Bluetooth

(ie. playing music from your smart device)

The machine will start in Bluetooth mode. To use this feature, simply search for the machine name ("Masingo") under your playback device's Bluetooth connection settings and connect as you would any other Bluetooth device.

**Caution:** Do not turn your smart device volume to maximum or damage to speakers may occur. Place your device volume at midrange and then adjust the volume using the volume control on the machine (1). You may however use either the controls on your device or the controls on the machine to play, pause, or switch between tracks.



---

### How to use MicroSD mode (i.e playing music from an SD card)

Plug your MicroSD card into the designated slot (**TF Slot**) (13). Once inserted, press the **Mode** button (6) to switch to SD mode and then press the **Play** button (4) to begin playing your music. Press the **Next** (5) or **Back** button (3) to change tracks. Press the Play button again to pause a track.

**Note:** The **Mode** button (6) will only cycle through to SD mode if an SD chip is inserted.

If USB or AUX are also connected, the machine may cycle through these as well upon pressing the mode button. Press the **Mode** button multiple times to cycle through all available modes.

---

### How to use AUX mode

Playing music \*from\* an AUX-compatible device (TV, Phone, Tablet, or MP3 player):

When the machine is on, plug an AUX cable into the **AUX port** (8) on the machine's function board to activate AUX mode. Then, plug the other end of the adapter into the designated output on your device.

Once connected, press the **Mode** (6) button to switch to AUX mode. Use the controls on your AUX-compatible device to play, pause, and switch between tracks. The machine's **Play** (4) , **Back** (3) and **Next** (5) buttons will not function in AUX mode.

**Note:** The **Mode** button will only cycle through to AUX mode if the AUX cable is connected.

If USB or MicroSD are also connected, the machine may cycle through these as well upon pressing the **Mode** button. Press the **Mode** button multiple times to cycle through all available modes.

**Caution:** Do not turn your external device volume to maximum or damage to speakers may occur. Place your device volume at mid-range and then adjust the volume using the volume control on the C10 machine.

---





---

### How to start USB mode

Playing music from a USB drive

Plug a USB drive into the **USB slot** (14). Once connected, press the **Mode** button (6) to switch to USB mode. Press the **Play** (4) button to begin playing your music. Press the **Next** (5) or **Back** (3) button to change tracks. Press the **Play** button again to pause the track.

**Note:** The **Mode** button will only cycle through to USB mode if a USB storage drive is connected.

If AUX and MicroSD are also connected, the machine may cycle through these as well upon pressing the **Mode** button. Press the **Mode** button multiple times to cycle through all available modes.

---

### How to set up and activate FM mode

When the machine is on, press the **Mode** button (6) and cycle through available modes until the machine speaker says "FM Mode."

The first time you activate your machine (or when you are using your machine in a new location) hold down the **Play** button (4) for 3 seconds to begin scanning for available stations. Do not press any buttons again until the scanning cycle is complete.

Your machine has now stored all available stations. Use the **Next** (5) and **Back** (3) buttons to change between FM stations.

---

### How to use multiple playback modes

To use playback modes interchangeably, simply activate each mode according to the instructions above, then press **Mode** (6) to switch between the inputs.

---

### How to set up TWS (True Wireless Stereo)

TWS (True Wireless Stereo) allows you to sync with other C10s. For this mode to work, you will need to have two Burletta C10 machines on hand.

- 1)** Power on both machines.
- 2)** Make sure that neither machine is connected via Bluetooth to any smart device.
- 3)** In Bluetooth Mode, hold down the Play button (4) for 3 seconds until you hear a beep. Do this for each machine.
- 4)** Connect music to one of the machines via AUX, USB, or MicroSD.
- 5)** Both machines will now play the same music simultaneously.



## Maintenance

### How to clean

Turn the machine and microphones off. Unplug the machine's power cord and disconnect any AUX, MicroSD, or USB plug-ins.

Gently wipe the outside of the machine using a clean, dry cloth. Keep all vents, buttons, and openings free of lint and dirt. Do not immerse the machine in water and do not use any harsh cleaners.

### How to store

Charge the machine and microphones so that they are ready for next use. Make sure that the machine is clean and dry.

Bind the power cord and microphone cord individually and gently with electrician-approved fasteners. (Note: Do not wrap or fold against the natural bend of the cords or cable). Do not wrap the cord around the machine. Store the machine in a cool, dry place away from damaging elements.

For best results, clean and store the machine after each use.



# 5 *When Things Go Flat* Troubleshooting Guide

Problem	Solution
Machine is not turning on	The battery is depleted. Be sure to charge the machine after each use.
VHF wireless microphone is not turning on	Ensure the power switch is all the way in the up position and the indicator light is on. (Note: The VHF microphone has a middle setting called "Mute." The microphone will not function in "Mute.") If this does not solve the issue, the Microphone battery is low or depleted. Replace the AA batteries in the microphone.
USB or MicroSD mode is not working	Ensure that the USB drive or MicroSD chip is inserted properly and that there are readable music files stored on said drive/chip Ensure that the machine volume is turned to an audible level.
Machine is not playing microphone vocals	Ensure that your chosen microphone is turned on. (Note: The VHF microphone has a middle setting called "Mute." Ensure that it is not in this setting by pushing the power switch all the way up). Ensure that the wired microphone is plugged in correctly. Ensure that the wireless microphone's batteries are installed correctly and still have charge. Ensure that the machine volume is on.
Microphone vocals are echoing excessively	If the echo is excessive, move the machine speaker further away from the microphones to reduce echo.

Next song is not playing in AUX mode	Please ensure your device's media player is set on "play next song" rather than "repeat" or "play one song."
<b>Play</b> (4) <b>Next</b> (5) and <b>Back</b> (3) buttons are not functioning in AUX mode	The <b>Play</b> (4) <b>Next</b> (5) and <b>Back</b> (3) buttons on the machine will not work on AUX mode. Please use the controls on your connected device.
Machine powers on and then shuts down	Battery is low. Please charge the machine or replace the battery if needed.
No sound is playing from the speaker	Ensure that the volume on the machine and your device (if applicable) are both turned to an audible level.
Button or knob on the machine is not working properly	Power off the machine and turn it back on.
TWS mode is not working for Bluetooth mode or FM	TWS works in AUX, USB, or MicroSD modes. See the "How to set up TWS (True Wireless Stereo)" section for more information.
Can't find audible stations in FM mode	FM mode needs to program in available stations the first time you use it in a new location. To do this, activate FM mode and hold down the <b>Play</b> button (4) for 3 seconds. Please wait for the scanning process to complete before you begin searching for stations with the <b>Next</b> (5) and <b>Back</b> (3) buttons. See the "How to set up and activate FM mode" for more details.

If any of these issues persist, or if any part of the machine becomes damaged, discontinue use and consult a licensed electrician for repair. Do not attempt to modify or repair the machine yourself. You can also contact our customer service department (see next page).



## FCC Warning

This device complies with part 15 of the FCC Rules. Operation is subject to the following two conditions:

(1) This device may not cause harmful interference, and (2) this device must accept any interference received, including interference that may cause undesired operation.

Any Changes or modifications not expressly approved by the party responsible for compliance could void the user's authority to operate the equipment.

**Note:** This equipment has been tested and found to comply with the limits for a Class B digital device, pursuant to part 15 of the FCC Rules. These limits are designed to provide reasonable protection against harmful interference in a residential installation. This equipment generates uses and can radiate radio frequency energy and, if not installed and used in accordance with the instructions, may cause harmful interference to radio communications. However, there is no guarantee that interference will not occur in a particular installation. If this equipment does cause harmful interference to radio or television reception, which can be determined by turning the equipment off and on, the user is encouraged to try to correct the interference by one or more of the following measures:

- ▶ -Reorient or relocate the receiving antenna.
- ▶ -Increase the separation between the equipment and receiver.
- ▶ -Connect the equipment into an outlet on a circuit different from that to which the receiver is connected.
- ▶ -Consult the dealer or an experienced radio/TV technician for help.

The device has been evaluated to meet general RF exposure requirement. The device can be used in portable exposure condition without restriction.