

Shenzhen AIHUI Technology Co., LTD

Antenna Specification for Approval

客户名称

Customer Name: _____

产品名称: _

Product Name: _____ 2.4G antenna length 35mm white

客户型号:

Product Name: _____

产品料号:

Part NO.: _____ C10-35-2.5

制表:

Write By: _____ 周敏

日期:

Issued Date: _____ 2019-3-20

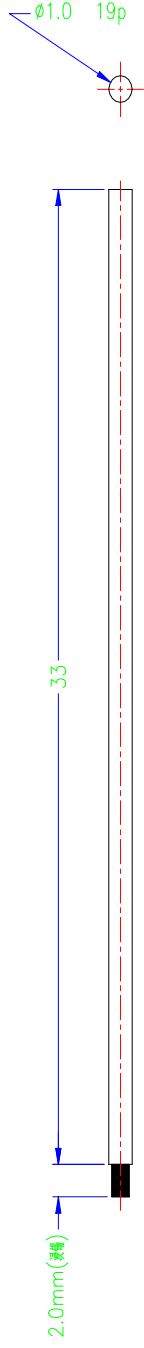
correspondent:

工程R&D Dept	采购Business Dept	承认 Approved By

Shenzhen AIHUI

研发R&D Dept	工程 Engineer Dept	审核 Approval

样章	揭杆	截断嘴	刃



线材: 1mm白色镀锌线

Shenzhen AIHUI Technology Co., LTD

要求:
1、标注公差为重要尺寸, 未标注公差的按±0.15。

PART TITLE 锚玻璃摩擦片	MATERIAL 1mm白色镀锌线	UNIT IN 英寸	SCALE 放大 5:1	VER. 喉棒 101
PART NO. 锚玻璃摩擦片 C10-33-2.0	DRW IN G 英寸	DATE 2015/12/09	CHECK IN G 机瞄片	SUPPLIER CFM 鼎尚改 摩片

Product Specification

A. Electrical Characteristics

Frequency 2405MHz-2475MHz

VSWR <3.0

Efficiency >30%

Impedance 50 Ohm

Polarization Line

Gain 0.17DBi

B. Material & Mechanical Characteristics

Material of Radiator Cu

Cable Type 1.0 19P white

Connector Type : NO

Dimension

C. Environmental

Operation Temperature - 30 °C ~ + 80 °C

Storage Temperature - 30 °C ~ + 85 °C

Test Equipment & Conditions

1. Network Analyzers :

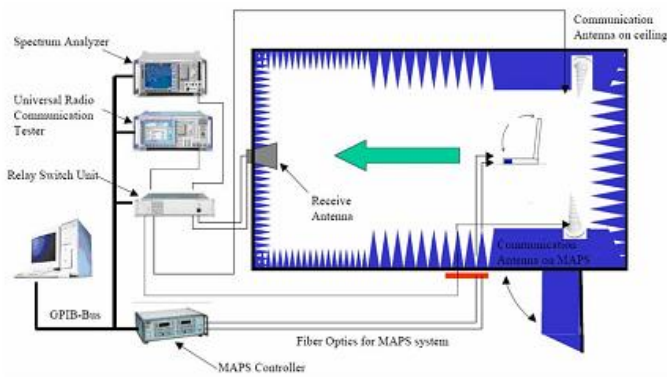
Agilent 8753D 5071B

2. Communications Test Set:

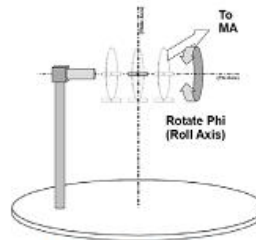
Agilent E5515C

3. 3D Chamber Test System

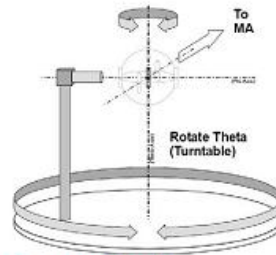
Efficiency & Gain



(Testing by 3D anechoic chamber)



Phi axis test

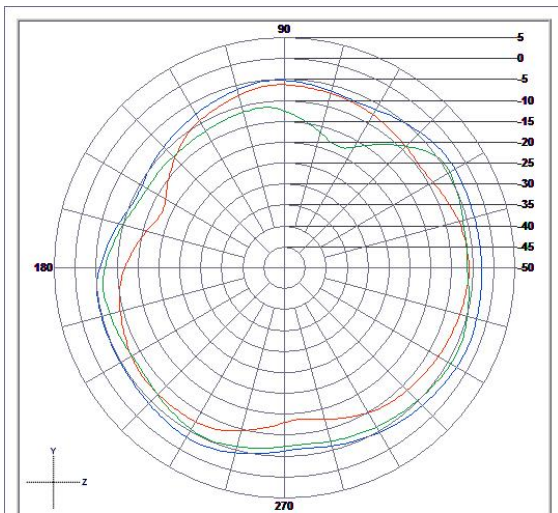


Theta axis test

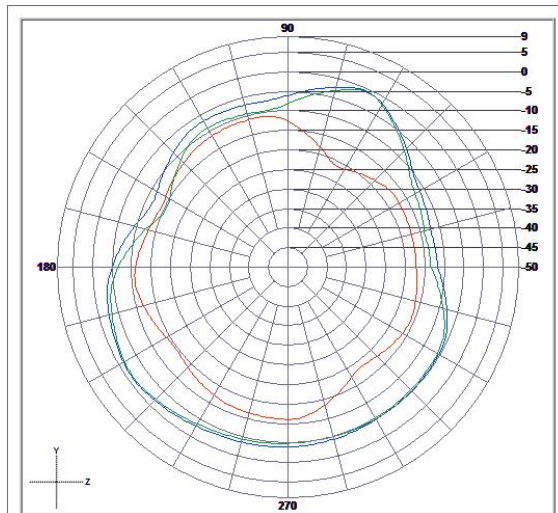
Efficiency & Gain

2.40	-2.17
2.440	0.12
2.48	0.17

Radiation Pattern:



	Vertical	Horizontal	Total
Avg. Gain	-8.4	-6.99	-4.63
Peak Gain	-5.48	-3.77	-2.17



	Vertical	Horizontal	Total
Avg. Gain	-13.34	-5.06	-4.46
Peak Gain	-10.3	0.09	0.12

