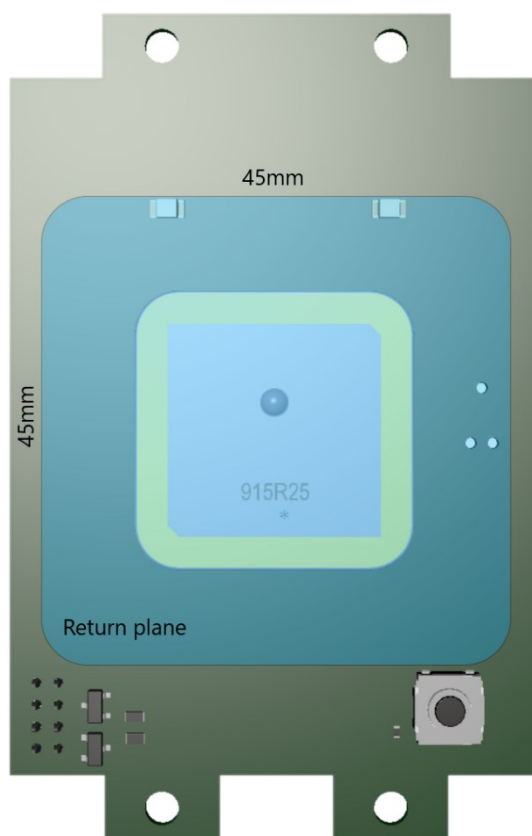


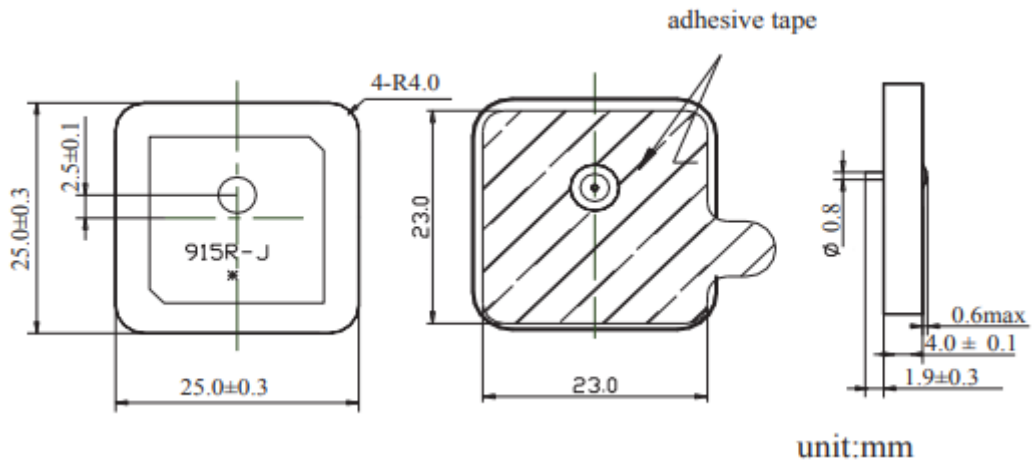
AC-01 V2 and AC-01 V2 OEM Antenna Spec

Integrated Antenna

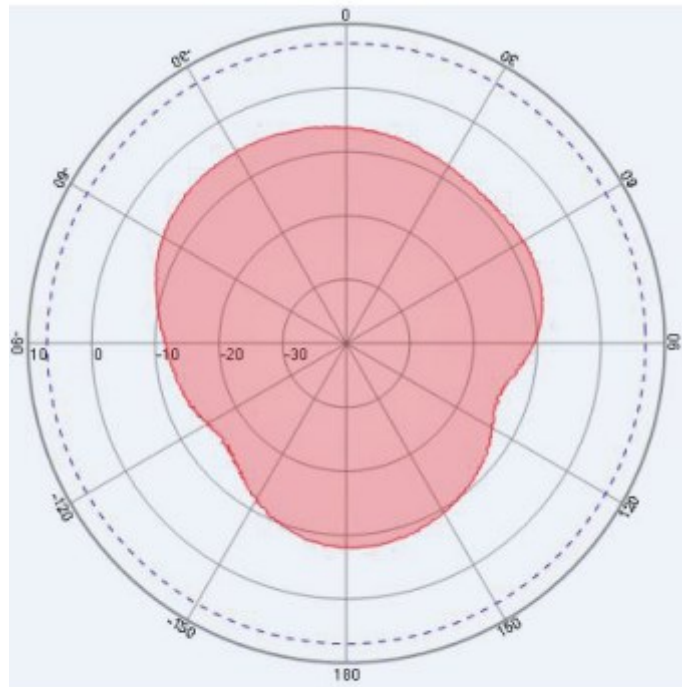
Manufacturer	ABRACON LLC
Manufacturer address	2 Faraday Ste B, Irvine, CA 92618, USA.
Model	APAE915R2540ABDB1-T
Frequency Range (MHz)	915-928 MHz
Circular peak Gain (45x45mm return plane)	4.5 dBic
Linear peak Gain (45x45mm return plane)	1.5dBi
Polarization	Circular (LHCP)
Type	Ceramic Patch Antenna



Dimension (mm):



Antenna radiation pattern (2D):



Measured at 927MHz