

Shenzhen DayBetter Optoelectronics Co., Ltd.

深圳天好光电有限公司

产品规格书

PRODUCT SPECIFICATION

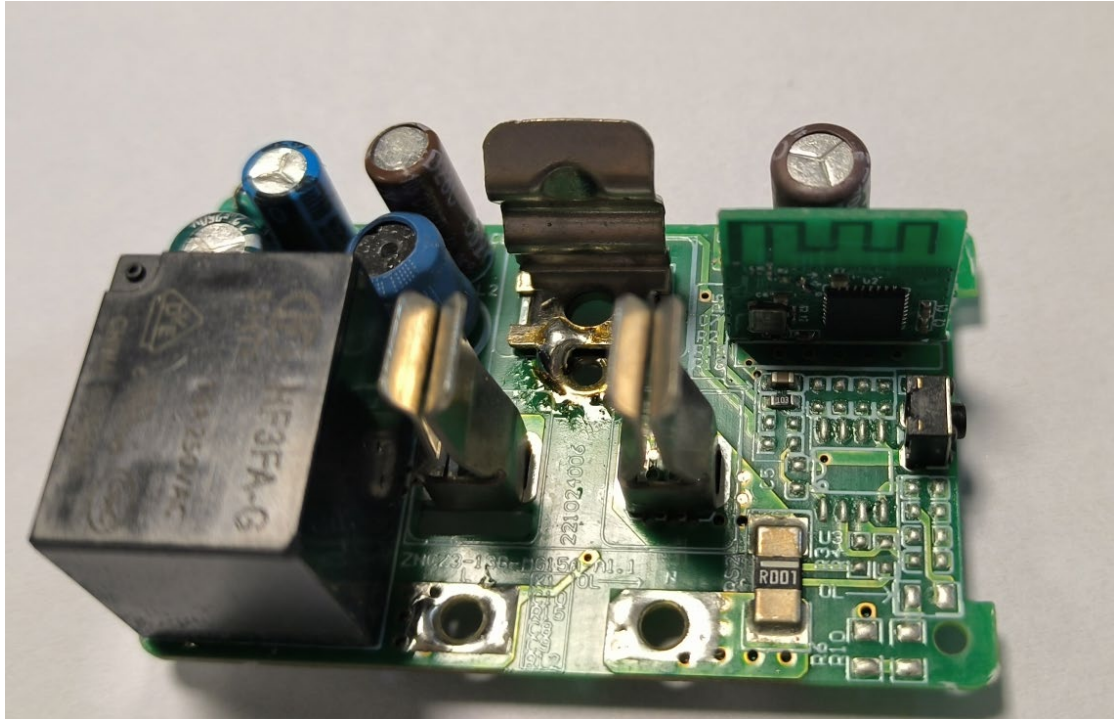
客户 Customer	
客户编码 Customer's part number	
产品型号 Model No. :	US-ZH-B151-W1
工作频段 Working Band	2400-2500MHz
发行日期 Issue Date	2024-04-12
发行版本 Release Version	A

1. 产品技术指标 (PRODUCT TECHNICAL SPECIFICATION)

电性能指标 Electrical Specifications	
频率范围 Frequency Range (MHz)	2400-2500
频带宽度 Bandwidth (MHz)	100
输入阻抗 Input Impedence (Ω)	50
电压驻波比 VSWR	<3
最大增益 MAX Gain (dBi)	-1.49
极化形式 Polarization Type	垂直极化 Vertical

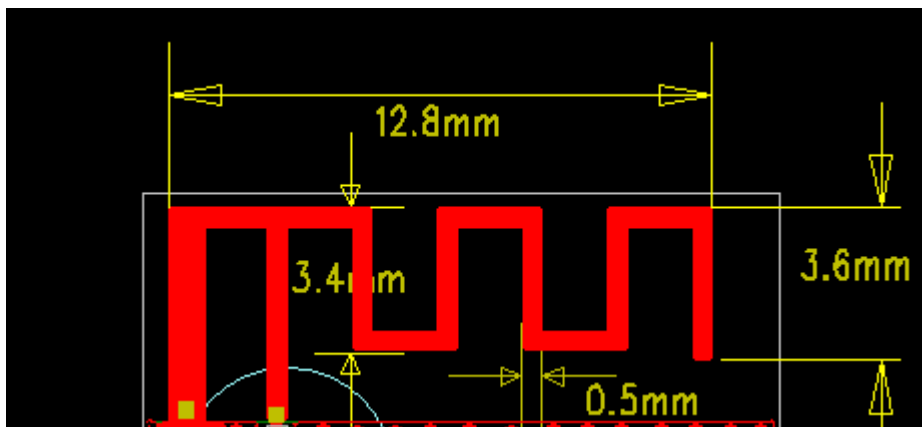
产品图片





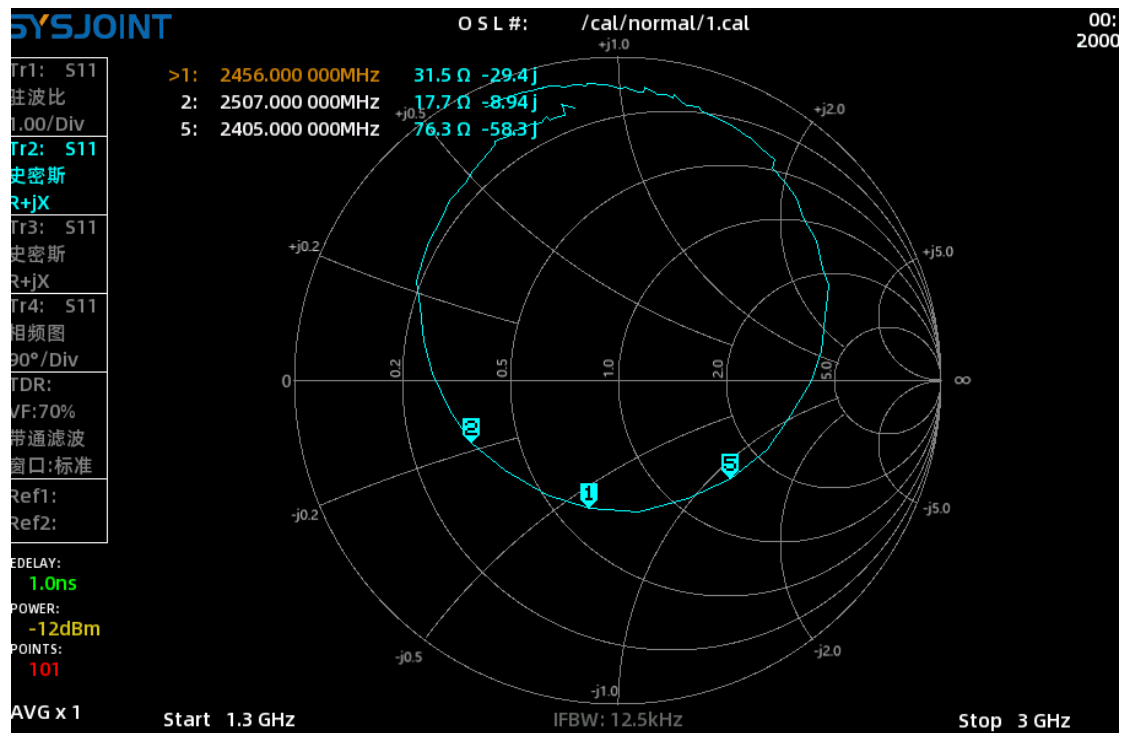
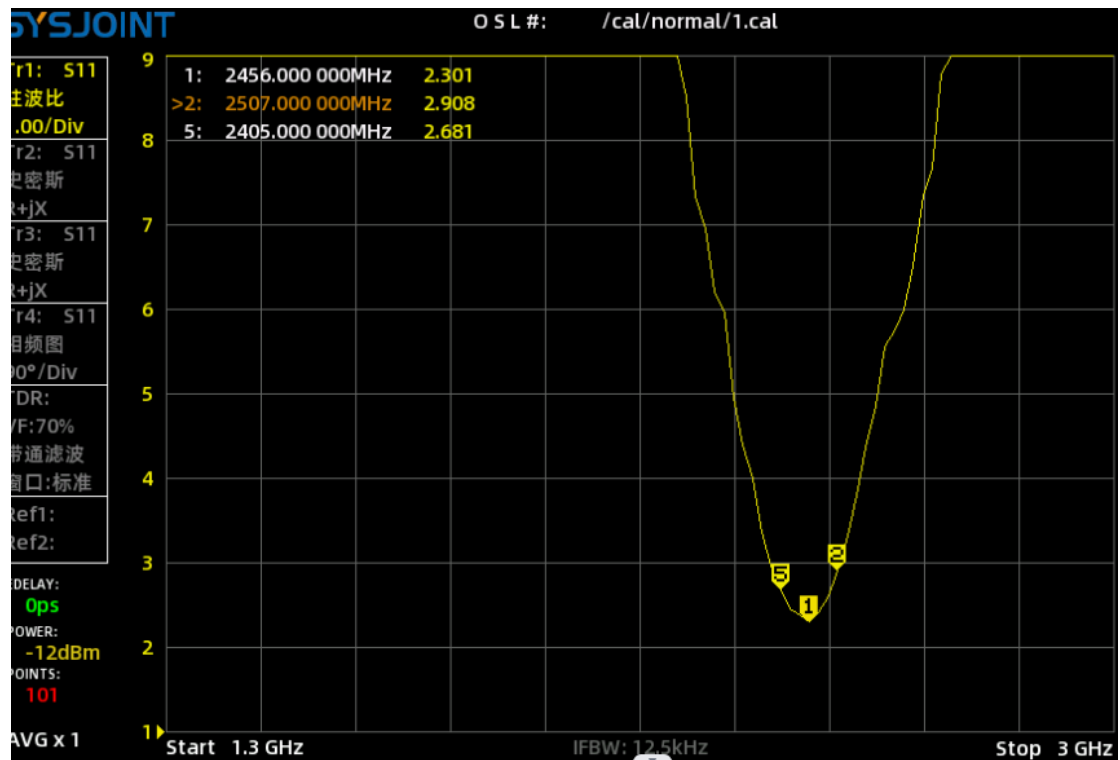
2. Nano Dongle PIFA antenna design specification:

Antenna dimensions as blow picture show: the material is FR4 and the thickness is 1mm of PCB.



Nano Dongle PIFA Antenna

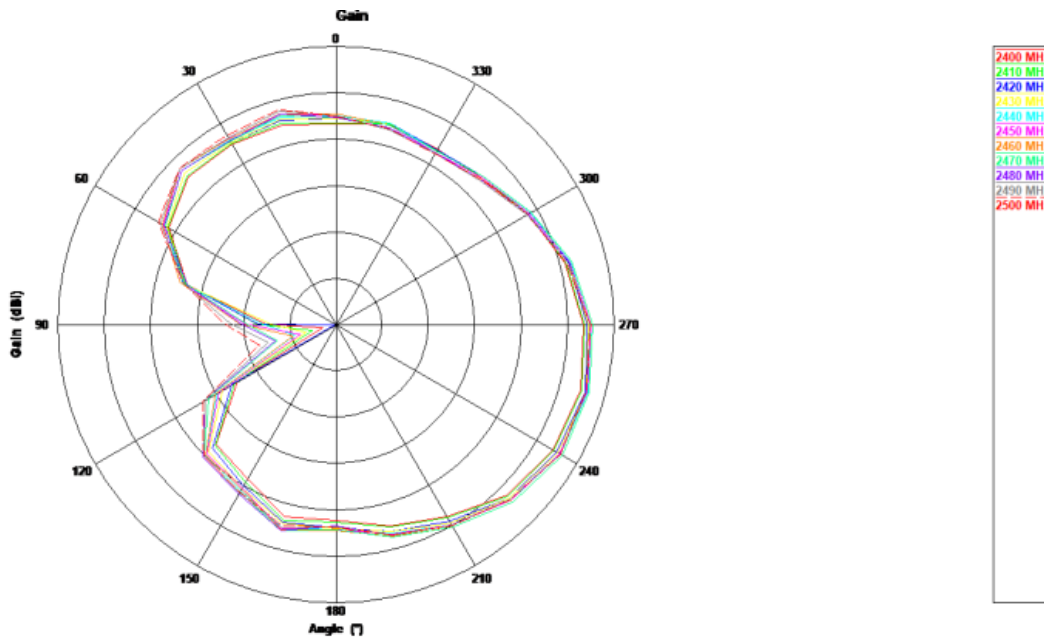
The performance of S11 as blow show and the working frequency band cover 2.4G ISM.

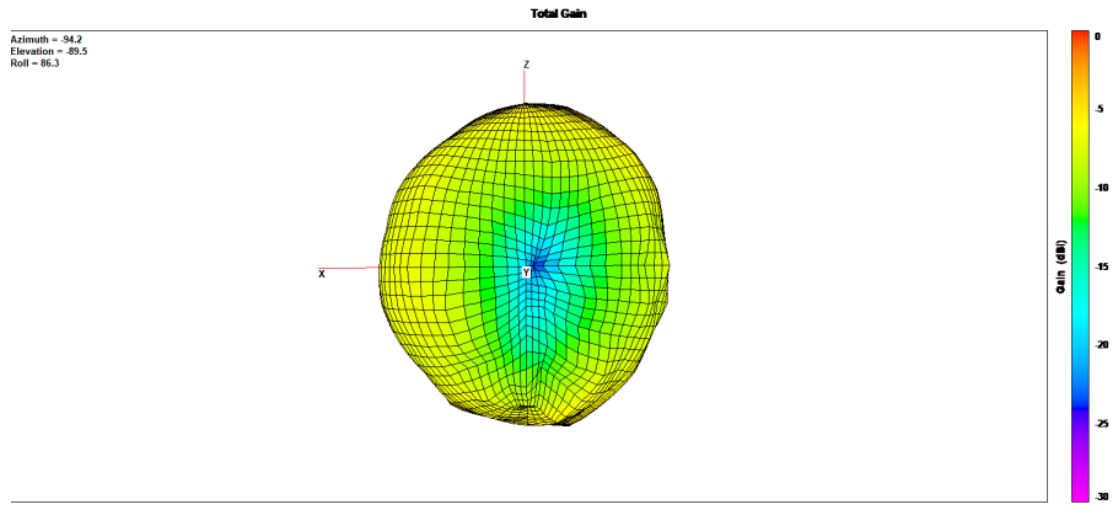


Nano Dongle PIFA S11 performance

3. The gain of this antenna 2D and 3D as blow show and the maximum gain is about -1.49dBi.

Frequency (MHz)	efficiency (%)	gain (dBi)
2400	21.75	-2.39
2410	22.55	-2.28
2420	23.92	-2.00
2430	24.28	-1.85
2440	25.72	-1.60
2450	26.31	-1.60
2460	26.95	-1.49
2470	26.57	-1.52
2480	25.19	-1.84
2490	24.95	-1.87
2500	25.43	-1.80





Nano Dongle PIFA gain