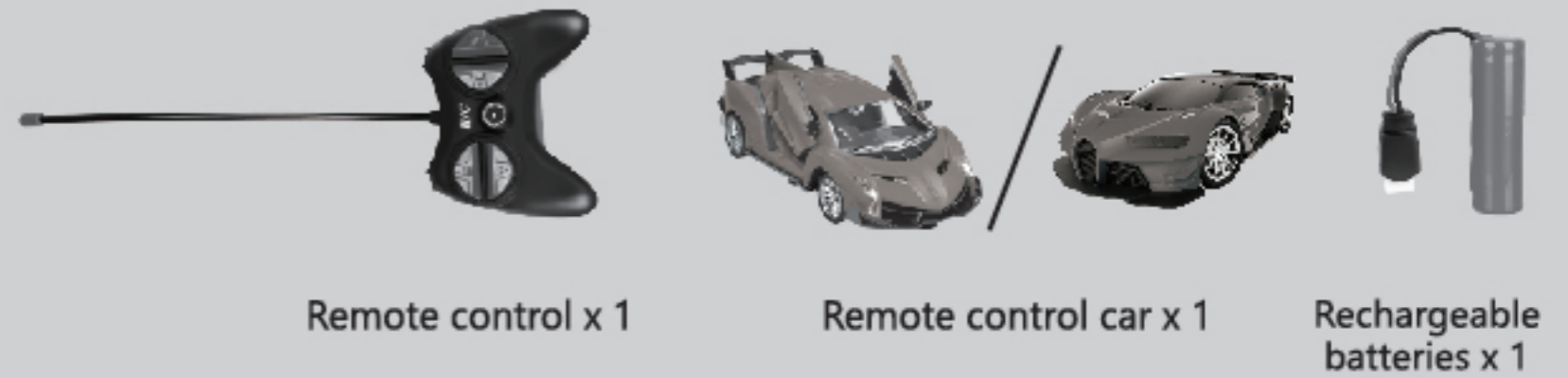


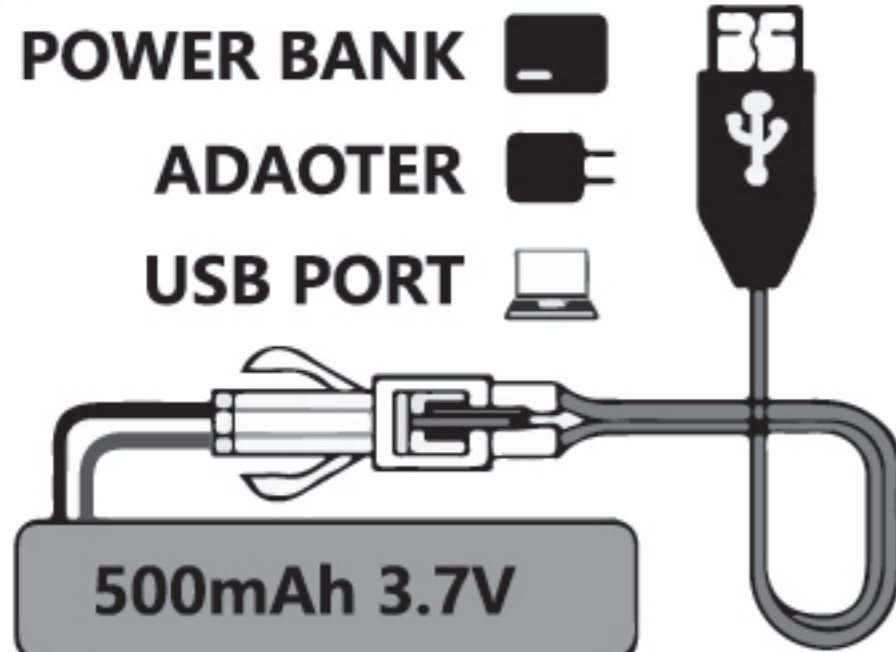
USER MANUAL

Product Information

Product Name: Remote Control Car
Recommended Age: 3+
Material: Plastic
Manufacturer: NANCHANGSHI ZHAO
QIANGKEJIYOUXIANGONGSI
Address: DONGSHENG DADAO555HAO1HAO
LOU613SHI, QINGSHANHUQUCHANGDONG
GONGYEYUAN, NANCHANG, JIANGXI, CHINA



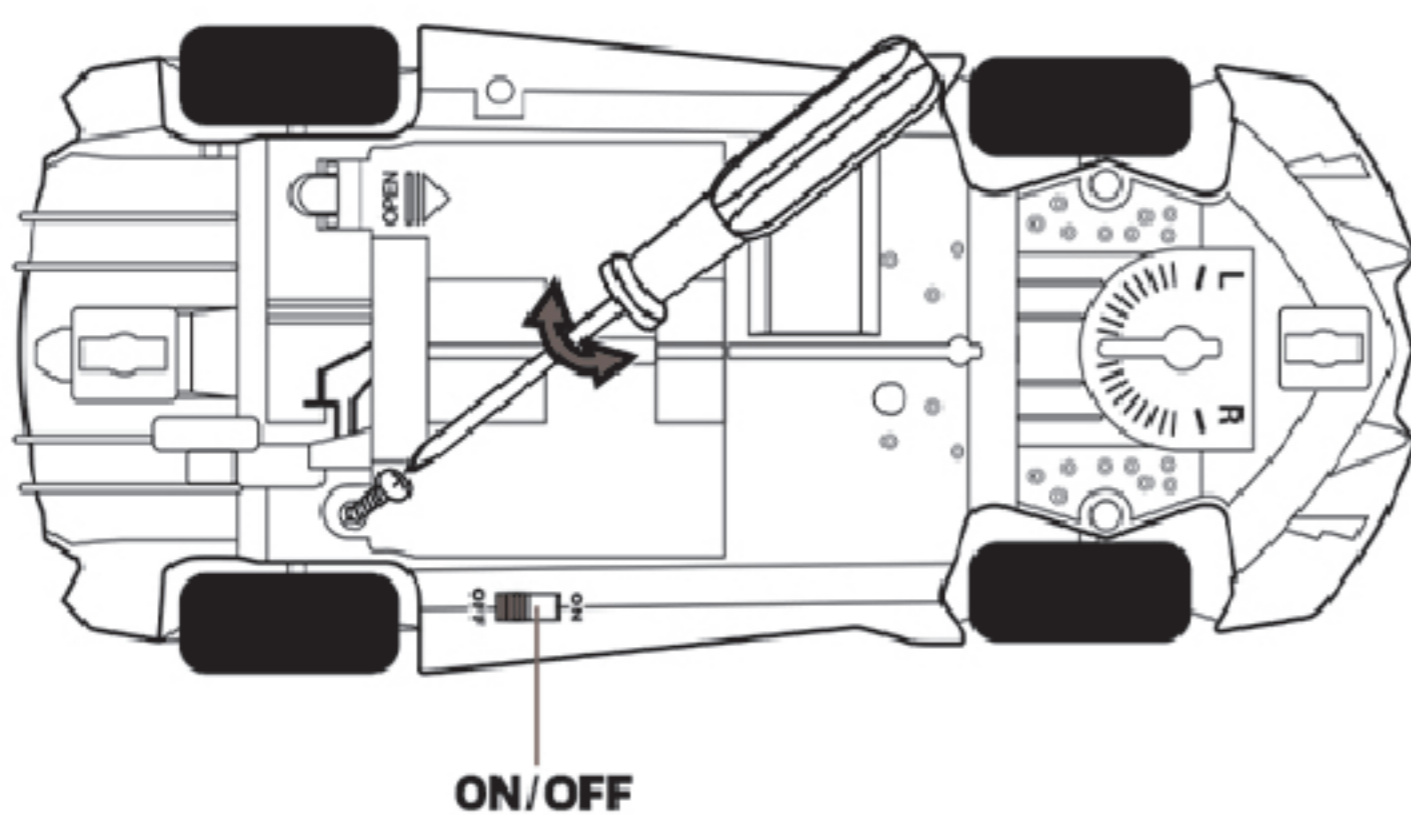
Instruction



Plug the battery into the charging cable as shown in the picture on the upper. Connect the USB plug to any standard USB port and insert a micro connector into the battery. The charging light will illuminate when it is being charged.



- Non-rechargeable Batteries Are Not To Be Recharged. Only Batteries Of The Same Or Equivalent Type As Recommended Are To Be Used.
- Batteries Are To Be Inserted With The Correct Polarity.
- Exhausted Batteries Are To Be Removed From The Toy.
- The Supply Terminals Are Not To Be Short-circuited.
- Do Not Use Rechargeable Batteries.
- Do Not Mix Old And New Batteries.
- Do Not Mix Alkaline Standard(Carbon Zinc), Or Rechargeable (Nickel Cadmium) batteries.



If you receive the product is broken or missing part, please feel free to contact us, we will do our best to help you fix the issue!

After-Sales Service Email: Cusocue@hotmail.com

NOTE: This equipment has been tested and found to comply with the limits for a Class B digital device, pursuant to part 15 of the FCC Rules. These limits are designed to provide reasonable protection against harmful interference in a residential installation. This equipment generates uses and can radiate radio frequency energy and, if not installed and used in accordance with the instructions, may cause harmful interference to radio communications. However, there is no guarantee that interference will not occur in a particular installation. If this equipment does cause harmful interference to radio or television reception, which can be determined by turning the equipment off and on, the user is encouraged to try to correct the interference by one or more of the following measures:

- Reorient or relocate the receiving antenna.
- Increase the separation between the equipment and receiver.
- Connect the equipment into an outlet on a circuit different from that to which the receiver is connected.
- Consult the dealer or an experienced radio/TV technician for help.

Changes or modifications not expressly approved by the party responsible for compliance could void the user's authority to operate the equipment.