

## Antenna test report

<b>Test Laboratory</b>	Dongguan Yijia Electronic Co., LTD No. 59 Muyu Road, Shatou Community, Chang'an Town, Dongguan City, Guangdong Province
<b>Manufacturer</b>	Shenzhen Qianyan Technology LTD No. 3301, Block C, Section 1, Chuangzhi Yuncheng Building, Liuxian Avenue, Xili Community, Xili Street, Nanshan District, Shenzhen
<b>Contact:</b>	Mr. Gan 13823198410
<b>Model</b>	H7180

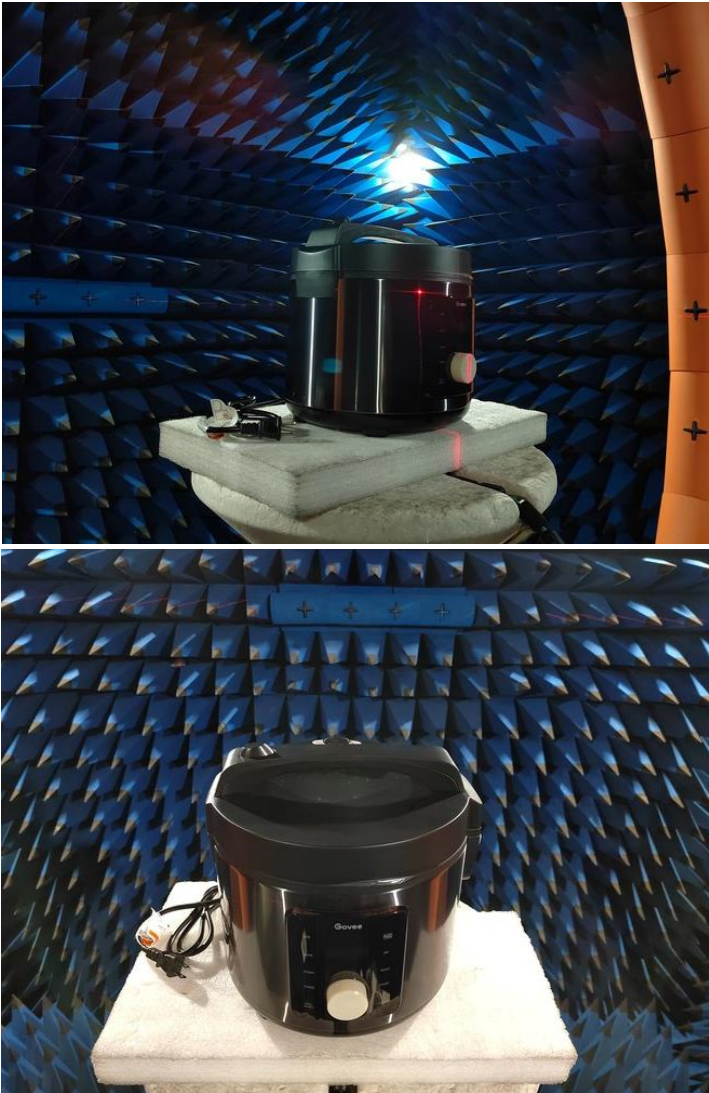
### 1. Test procedures

Name	Parameter	Method	Standard No.
Mobile communication antenna	VSWR	Generic specification for antennas used in the mobile communications	GB/T 9410-2008
	Antenna Gain		
	Radiation pattern		
Antenna	Radiation efficiency	IEEE Standard Test Procedures for Antennas	ANSI/IEEE Std 149-1979

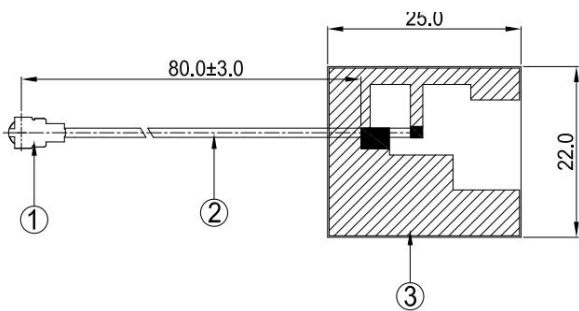
### 2. Test Equipment

Equipment	Model No.	Serial No.	Manufacture	Calibration Date	Next calibration Date
24 probe Microwave chamber	MPS2450 Multi-probe OTA measurement systems 5*5*5	YJ-PB-F01	XH-IOE	2022.09.01	2023.09.01
Network Analyzer	ZVB8	YJ-RD-15	ROHDE&SCHWARS	2022.08.25	2023.08.25
Wideband radio Communication tester	CMW500	YJ-RD-16	ROHDE&SCHWARS	2022.08.25	2023.08.25

### 3. DUT Setup Photo



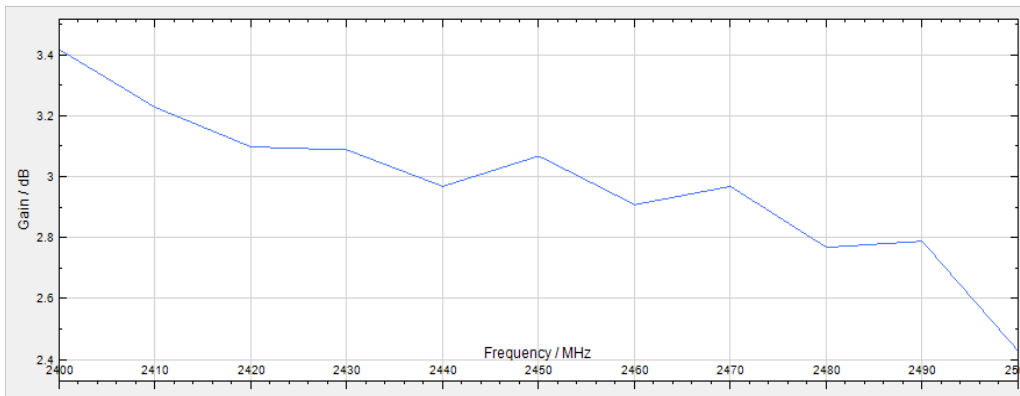
### 4. Bluetooth & Wi-Fi Antenna Physical Size



### 5. Bluetooth & Wi-Fi Antenna Type & Gain

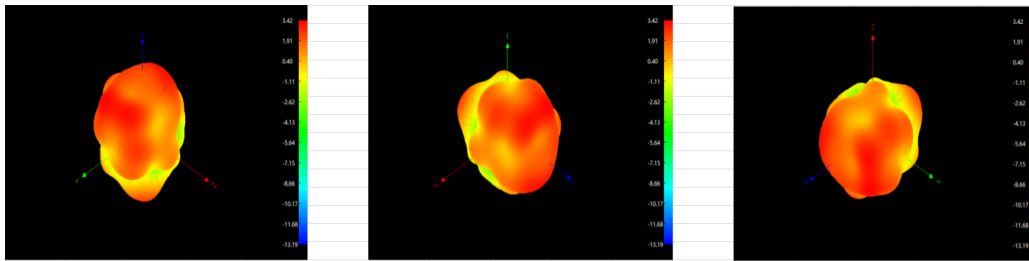
Type: FPC Antenna

Frequency / MHz	Gain/ dBi
2400	3.42
2410	3.23
2420	3.1
2430	3.09
2440	2.97
2450	3.07
2460	2.91
2470	2.97
2480	2.77
2490	2.79
2500	2.43

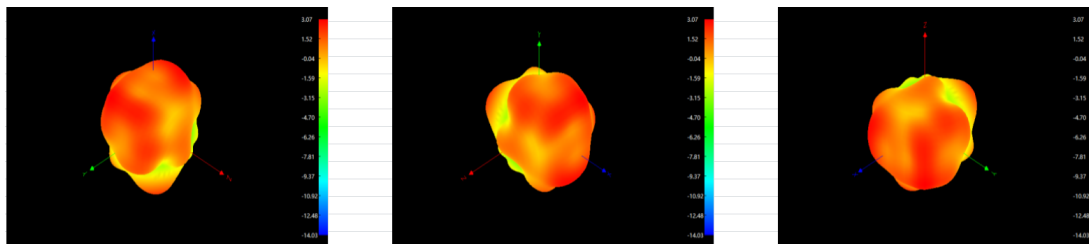


## 6. Antenna Pattern Picture

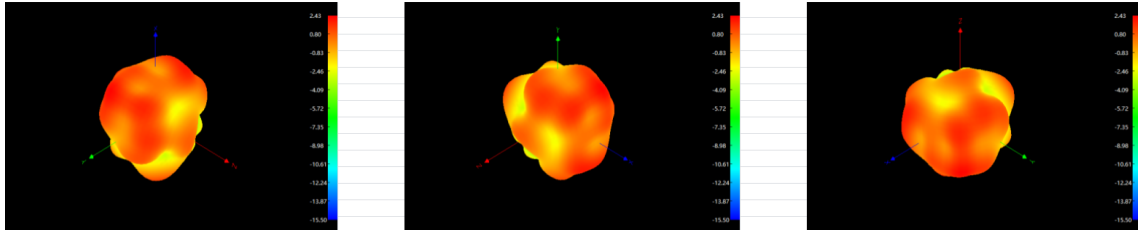
**2400MHz**



**2450MHz**



**2500MHz**



Tester by: Wu xianming

Wu Xianming