

H7147说明书

版本:1.0

料号:

尺寸:145×210(mm)

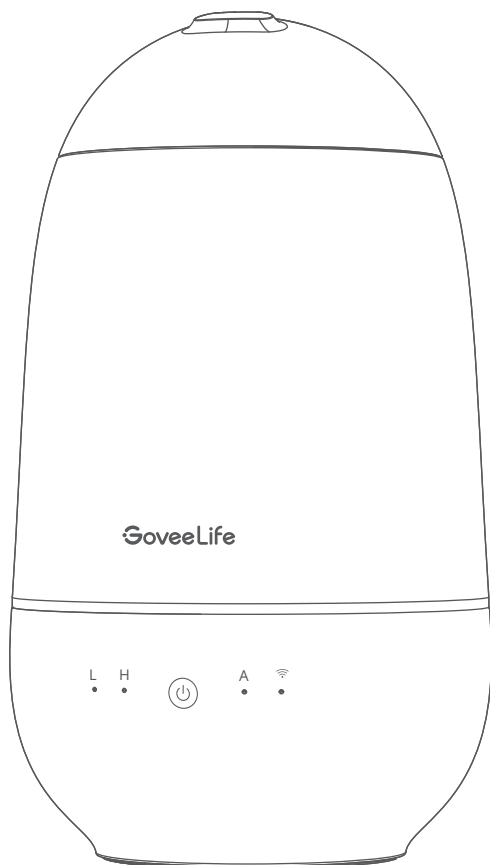
展开尺寸:290×210

材质:80G书页纸

工艺:单色印刷

折叠方式:骑马订

页数:36页



User Manual

Smart Mini Humidifier (baby)

Contents

Safety Instructions

01

General Safety

Adapter and Power Cord

Included in the Box

02

Introduction

03

Part Names

Functions & Controls

Indicator Status

Night Light Status

Getting Started

06

Filling & Refilling

06

Essential Oils (Optional)

07

Govee Home App

08

Downloading Govee Home App

Pairing with Govee Home App

Care & Maintenance

09

Cleaning Your Humidifier

Descaling Your Smart Humidifier

Storing

Troubleshooting

12

For Humidifier

For App & Connectivity

Appendix

14

After-Sales Service

Specifications

Compliance Information

READ AND SAVE THESE INSTRUCTIONS



Safety Instructions

General Safety

- Only use the humidifier as described in this manual.
- This appliance can be used by children aged from 8 years and above and persons with reduced physical, sensory or mental capabilities or lack of experience and knowledge if they have been given supervision or instruction concerning use of the appliance in a safe way and understand the hazards involved. Children shall not play with the appliance. Cleaning and user maintenance shall not be made by children without supervision.
- If the supply cord is damaged, it must be replaced by the manufacturer, its service agent or similarly qualified persons in order to avoid any safety hazards.
- To reduce the risk of fire, electric shock, or other injuries, always follow all instructions and safety guidelines.
- Place the humidifier and cord so that it will not be knocked over. Do not place near large pieces of furniture or in high-traffic areas.
- Do not attempt to disassemble the humidifier or its components.
- To avoid the risk of electric shock, always unplug the humidifier from power before cleaning it or detaching the water tank from the base.
- Do not place the humidifier near heat sources such as stovetops, ovens, or radiators.
- Do not place the humidifier directly on carpets or rugs.
- Do not use non-Govee humidifier parts as replacement parts for this product.
- Do not cover the nozzle while the humidifier is on, as this may damage the humidifier.
- Remove the water tank from the base before moving the humidifier.
- Do not immerse the humidifier base, power cord or plug in water.
- Do not add anything other than clean water and essential oils into the water tank.
- Not for commercial use. Household use only.
- Do not use the humidifier in wet environments. Do not allow water or other liquids inside the air vent.
- If the humidifier will not be in use for an extended period of time, it should be turned off and unplugged from power.
- Do not use detergents to clean the humidifier. Only use distilled white vinegar.
- If the humidifier is damaged or is not functioning properly, stop using it and contact Customer Support immediately.
- Be aware that high humidity levels may encourage the growth of biological organisms in the environment.

- Do not permit the area around the humidifier to become damp or wet. If dampness occurs, turn the output of the humidifier down. If the humidifier output volume cannot be turned down, use the humidifier intermittently. Do not allow absorbent materials, such as carpeting, curtains, drapes, or tablecloths, to become damp.
- Unplug the appliance during filling and cleaning.
- Never leave water in the reservoir when the appliance is not in use.
- Empty and clean the humidifier before storage. Clean the humidifier before next use.

Warning:

Micro-organisms that may be present in the water or in the environment where the appliance is used or stored, can grow in the water reservoir and be blown in the air, causing very serious health risks when the water is not renewed and the tank is not cleaned properly every 3 days.

Adapter and Power Cord

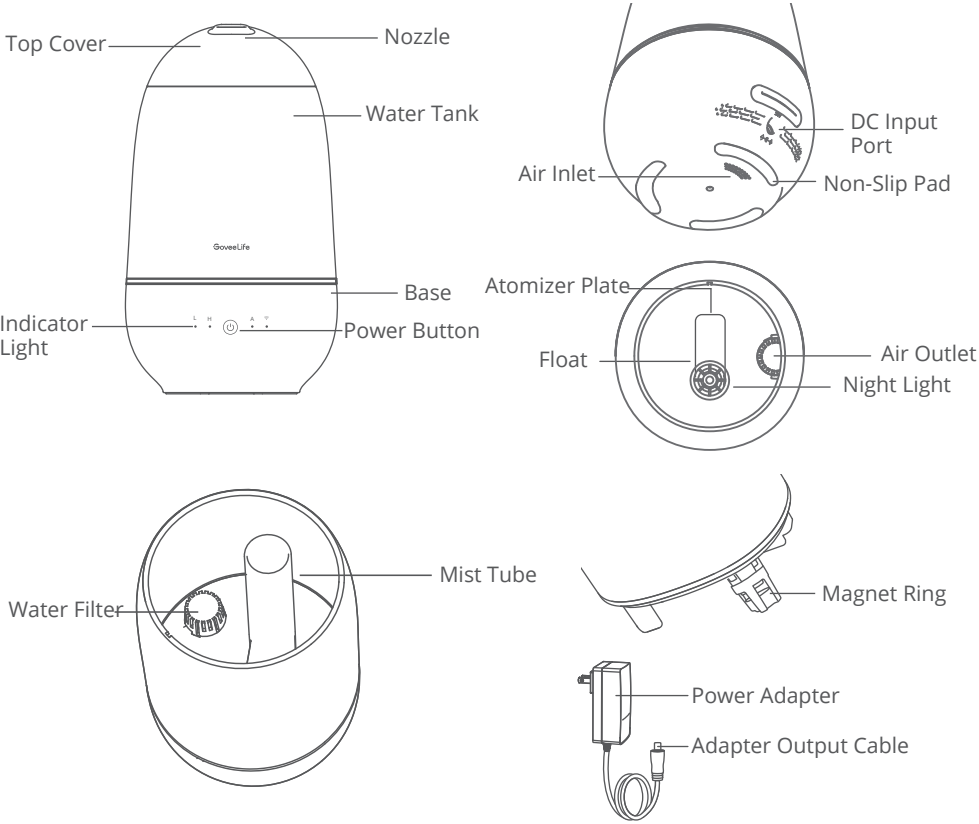
- For US: This appliance has a polarized plug (one blade is wider than the other). To reduce the risk of electric shock, this plug is intended to fit in a polarized outlet only one way. If the plug does not fit fully in the outlet, reverse the plug. If it still does not fit, contact a qualified electrician. Do not attempt to defeat this safety feature.
- Place the humidifier near the electrical outlet it is plugged into.
- Never place the cord near any heat sources.
- Do not cover the cord with a rug, carpet, or other covering. Do not place the cord under furniture or appliances.
- Keep the cord out of areas where people frequently move around. Place the cord in places where it will not be tripped over.
- Only use original supplied power adapter.
- If the power adapter cord is damaged, it must be replaced by qualified persons in order to avoid an electric or fire hazard.
- Do not handle the power cord or plug with wet hands. Keep the power cord and plug away from liquids.

Included in the Box

Item	Quantity
Humidifier	1
Cleaning Brush	1
Quick Start Guide	1
User Manual	1

Introduction

Part Names



Functions & Controls

You can access additional features using Govee Home App.





On/Off Button

Touch to turn on/off.

Note:

- When the humidifier is powered off, its fan will continue spinning for 15 seconds to clear away any internal mist to avoid water vapor accumulation that may affect the life of the humidifier.
- Follow the in-app instructions to press the power button when pairing with the app.

Mist Level Adjustment

- To cycle through the following mist settings: Low and High mist levels, Auto Mode and off. Auto Mode: In this mode, the humidifier will automatically adjust the mist output so that the ambient humidity can stay close to the target value. Note:
 - In Auto Mode, the humidifier will start misting when the humidity is lower than the target value. When the Auto Stop switch is enabled in the app and the target humidity value is reached, the humidifier will stop misting.
 - More Auto Mode settings can be accessed in the app.
 - It is recommended to use the humidifier together with the Govee Thermo-Hygrometer to bring you a better experience of constant humidity.

Night Light On/Off

Press the power button for 2 seconds to turn the night light on/off.

Recovery Function

Press the power button for 10 seconds until the indicator on the display screen flashes once to clear all default settings and restore to factory settings. At the same time, clear the cleaning reminders and disconnect from Bluetooth and Wi-Fi.

Note: After restoring the humidifier to factory settings, go to "My Devices" page on the app to delete this humidifier first, otherwise it cannot be added to the app again.

Memory Function

The humidifier will save its previous settings when powered off (such as mist level, mode, and Wi-Fi connection). When it is powered back on, the settings will resume.

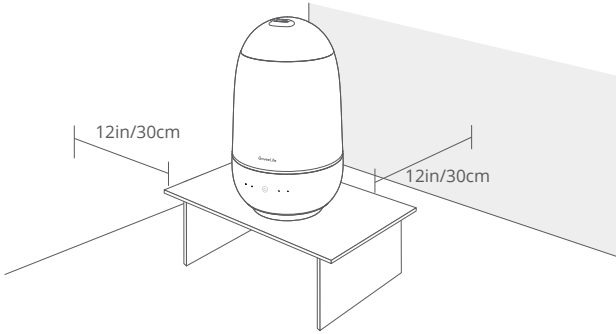
Indicator Status

Indicator	Working Status	Light Status
H ●	Low Mist Level is on	Solid White
L ●	High Mist Level is on	Solid White
A ●	Auto Mode is on	Solid White
L H (power icon) A	Waterless Alert /Water Tank Misplaced Alert	Flashes red three times
Wi-Fi icon	Ready for Wi-Fi Connection	Slowly Flashes White
	Wi-Fi is Connecting	Quickly Flashes White
	Wi-Fi is Connected	Solid White

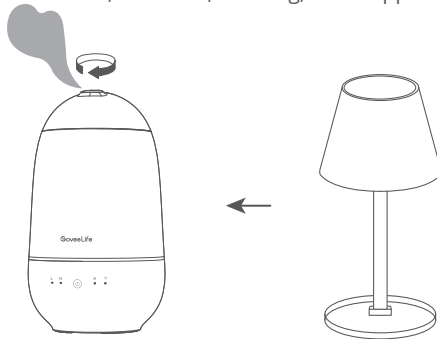
Note: The night light function is still available when the device is running out of water. If the water tank is taken away during operation, the humidifier will stop misting and the night light will stop working. If the water tank is put in place within three minutes, the humidifier and the night light will resume the previous working status automatically.

Getting Started

1. Remove all packaging, clear tape, and protective foams (**especially the foam of the base**).
2. Clean the water tank before using the humidifier for the first time.
3. Place the humidifier on a hard, flat, and water-resistant surface and at least 12 inches (30cm) away from any walls.



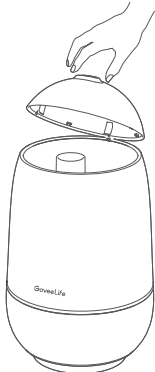
4. Direct the mist away from walls, furniture, bedding, other appliances, and electronics.



Filling & Refilling

Note: Please change the water at least once every two days to avoid breeding bacteria.

1. Hold the nozzle and remove the top cover.



2. Fill the tank with room-temperature water, **not** warm or hot water.

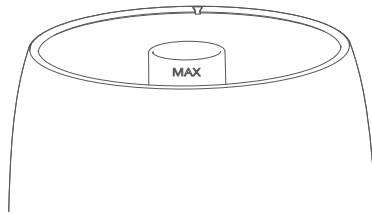
Note: It is recommended to fill the tank with purified or distilled water instead of tap water that may result in white dust (dried minerals) on surfaces.



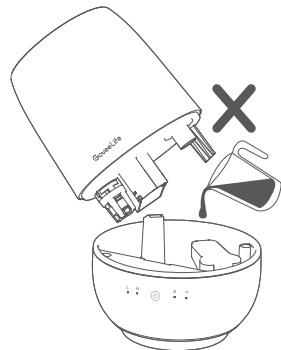
3. Replace the water tank cover.

Caution

Do not fill past the tank's Max water line.



Do not fill water into the mist tube or base.



Govee Home App

You can access more features using Govee Home App.

Downloading Govee Home App

To download Govee Home App, scan the QR code or search for "Govee" in the Apple App Store® (iOS) or Google Play Store (Android).



Govee Home App



Note:

- Choose "Allow" to the permissions requested when opening Govee Home App for the first time. These permissions allow the app's features to function normally and are not used to record personal, private information.
- Due to ongoing updates, Govee Home App may be slightly different than shown in this manual. In case of any differences, always follow the in-app instructions.

Pairing with Govee Home App

1. Turn on your smartphone's Bluetooth. Connect to your Wi-Fi router's 2.4GHz network. 5GHz is not supported.
2. Android users turn on Location Services; IOS users choose Location ->Always On in the pop-up window while adding devices.

Note:

- For IOS users, if you chose Location->Never, it might result in notifications/alert exceptions. It is recommended to follow Settings ->Govee Home ->Location ->Always On to obtain the best experience.
 - Govee Home WILL NOT collect, use, or share your location in any way.
3. Open Govee Home App, tap the "+" icon in the top right corner and search for "H7147".
 4. Tap the device icon and follow the in-app instructions to complete the Bluetooth and Wi-Fi connection.

Note:

- Method to turn off Bluetooth and Wi-Fi connection: Press and hold the Power Button and Mist Level Button for 5s to restore the device to factory settings, then go to "My Devices" page on the app to delete this humidifier first, otherwise it cannot be added to the app again.
- You can use Govee Home App to connect your humidifier to Amazon Alexa or Google Assistant. Follow the in-app instructions to connect to each voice assistant.
- Govee Home App is being continually updated and its features do expand.

Care & Maintenance

Note:

- All maintenance should be done on a water-resistant surface, such as a kitchen counter.
- Use a tissue or cloth to clean the nozzle regularly.
- If not using the humidifier for 1 week or longer, **do not** leave water inside. Clean and dry the humidifier instead.

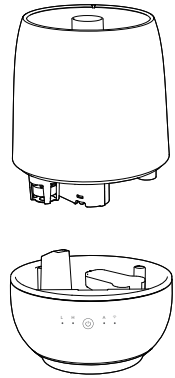
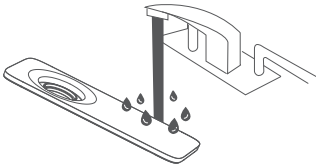
Cleaning Your Humidifier

It is recommended to clean the water tank and base every 2-3 days and when you're ready to store it.

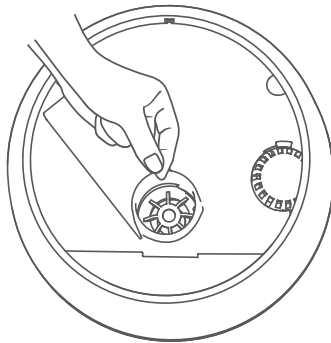
Note:

- **Never** immerse the base in water or other liquids.
- **Do not** use detergents to clean the humidifier.

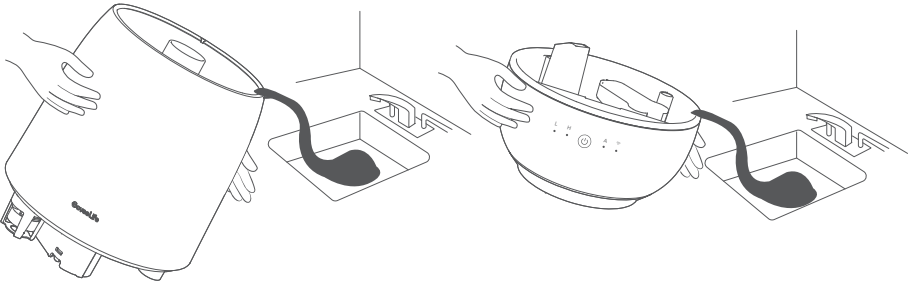
1. Unplug the power before cleaning.
2. Hold the nozzle to remove the top cover for cleaning.



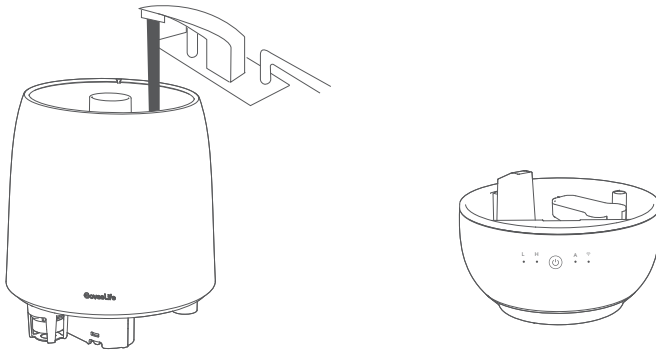
3. Grab the handle of the water filter and unplug it upright.



4. Take out the water tank and pour away the water left inside. Pour away the water inside the base.



5. Rinse the tank and the base chamber with room temperature water.

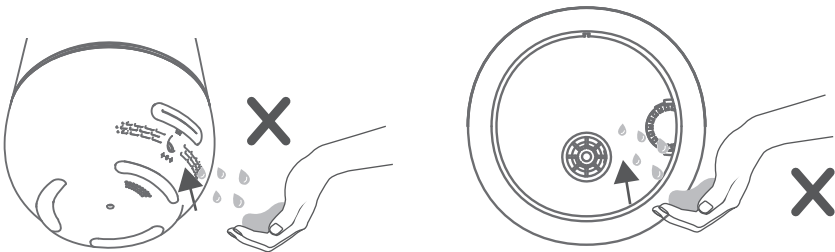


6. Dry all parts with a cloth. Make sure every part is in place before use or storing.

Note: Make sure the water filter and the float are already in place before use. Otherwise, it might cause malfunction.

Caution

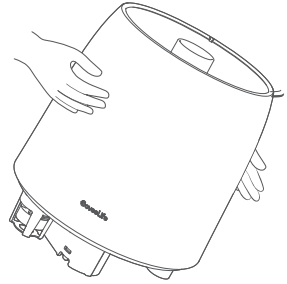
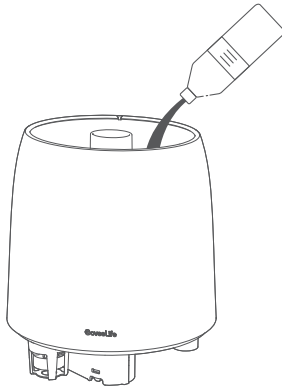
Do not let water enter the air inlet or outlet as this may damage internal components. If water does enter the inlet or outlet by accident, place the base in a ventilated place to dry it before using.



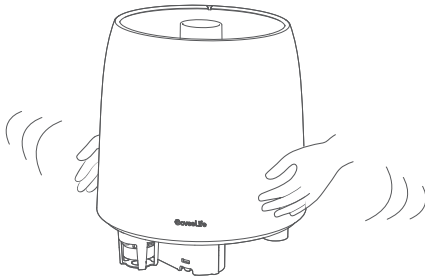
Descaling Your Smart Humidifier

To descale the humidifier (remove mineral buildup):

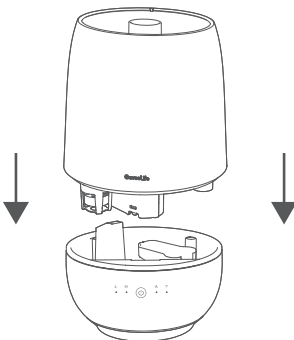
1. Fill the tank with 3 cups/710 ml of distilled white vinegar (or a proper amount of citric acid).



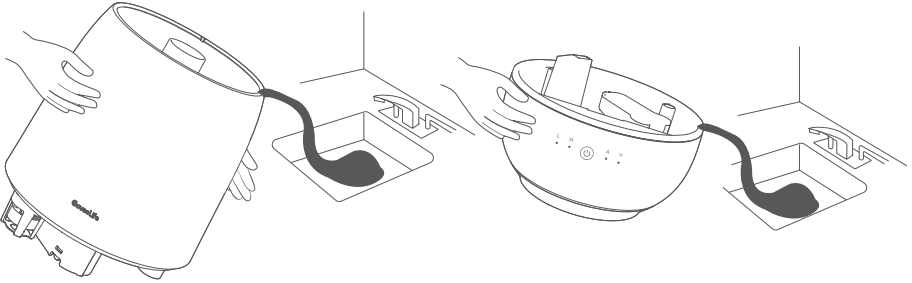
2. Put the tank cover on and shake the vinegar in the tank.



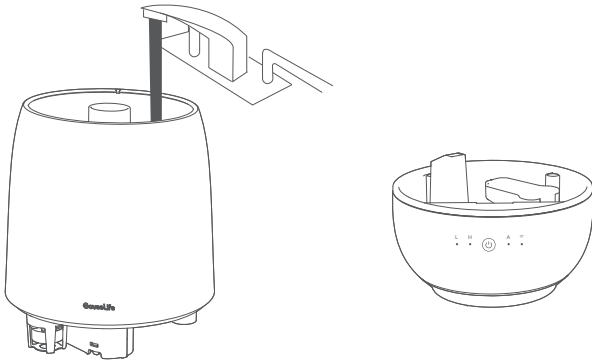
3. Place the tank on the base and let it sit for 15-20 minutes until the vinegar loosens the scale deposits.



4. Remove the tank and its cover, and pour all the vinegar out.



5. Use a soft cloth and the included cleaning brush to remove scale from all parts.



6. Rinse all parts until the vinegar smell is completely gone.

7. Dry all parts with a cloth completely before reassembling or storing the humidifier.

Cleaning the Aroma Pad

1. Pull out the aroma box and remove the aroma pad.
2. Rinse the pads under warm running water.
3. Dry the pads with a clean cloth and place the pad back.

Replacing the Aroma Pad

If the aroma pad is stiff even after cleaning, then it needs to be replaced. Extra pads are included with the humidifier.

To maintain the performance of your humidifier, only use official GoveeLife aroma pads. For more information, contact Customer Support.

Storing

Follow the cleaning instructions and dry all parts completely before storing the humidifier in a cool, dry place.

Troubleshooting

The troubleshooting section below is for solving frequently asked questions for the humidifier unit. If your problem persists, please contact Customer Support.

For Humidifier

Problem	Possible Solution
Humidifier does not power on/off normally.	Plug the humidifier into a working outlet and turn it on.
	Add purified or distilled water to the water tank.
Little or no mist comes out.	Clean the atomizer plate to avoid white dust from accumulating on it.
	Fill up the water tank.
	Choose a higher mist level.
	There may be too much water in the base chamber. Empty the base chamber, refill the water tank (not the base chamber), and place the water tank properly onto the base.
	Clean the humidifier. Make sure the nozzle is not blocked or clogged.

Problem	Possible Solution
Little or no mist comes out.	Make sure the humidifier is on a level surface.
	If the water tank or base was washed with detergent, rinse thoroughly with clean water to remove any detergent.
	There might be water leaks in the base. Put the base in a ventilated place to dry, and try again later.
Humidifier produces an unusual smell.	If there is any essential oil in the aroma pad, use clean water to rinse the pad and dry it. If the pad still smells, replace with a new aroma pad.
	If the humidifier is new, unplug and rinse all parts, then place in a cool, dry place for 12 hours.
Humidifier makes a loud or an unusual noise.	Make sure the water tank is properly in place.
	Empty the base chamber. Refill the water tank (not the base chamber) and place the water tank properly onto the base.
	The humidifier may be malfunctioning. Stop using the humidifier and contact Customer Support.
White dust appears around the humidifier.	It is recommended to use purified or distilled water to fill the humidifier. Avoid using water with high mineral content, such as tap water.
	Clean the humidifier.
Mist leaks from the base.	Make sure the water tank is placed properly.
	Check whether the protective foam of the float has been removed. If not, remove it.
Water leaks from the humidifier.	Do not shake the humidifier.
	Make sure to place the humidifier on a flat, level surface.
	Clean the float in the base chamber. Unscrew the water filter and check whether the water valve is clogged. If so, remove the foreign object and clean it.
	Check the water tank and base for leaks. If there are leaks, contact Customer Support.
Mold grows inside the humidifier.	Clean the water tank and base chamber regularly.
Essential oil has little or no smell.	Add more essential oil. For the best result, use pure essential oil.

Problem	Possible Solution
Displays error code "E0"	Please contact Customer Support.
The humidity display is not accurate.	Moisture may have built up inside the humidity sensor. Turn off the humidifier, remove the aroma box, and allow the sensor to air dry.
	If the humidifier is placed within 12 inches / 30 cm of a wall or in a corner, the humidity sensor cannot provide a proper reading for the relative humidity in the room.
	The humidity sensor will give an improper reading if it is exposed to dust. Avoid using the humidifier in dusty rooms. Avoid using tap water in the humidifier as this can increase dust in the air.
The upper part of the LED screen displays "--" and keeps flashing.	Thermo-hygrometer sensor (Interior) exception. Please contact Customer Support or use the humidifier after binding with Govee or GoveeLife Thermo-hygrometer.
The humidity level isn't changing in my room.	Choose a higher mist level.
	Depending on your environment, the humidifier may take longer to humidify your air.
	The room may be larger than the humidifier's effective range. If the room is larger than 388ft ² /36m ² , the humidifier will not be as effective.

For App & Connectivity

- Cannot connect to Govee Home App.
 - Make sure your smartphone is powered on and is not connected with other Bluetooth devices.
 - Enable the smartphone's Location Services.
 - Try connecting with another smartphone.
 - Make sure your app is updated to the latest version.
 - Make sure you connect to your Wi-Fi router's 2.4GHz network and that the network is working correctly.
 - Make sure the Wi-Fi password you entered is correct.
 - Shorten the distance between the humidifier, Wi-Fi router, and the smartphone.
 - Make sure your humidifier and the Wi-Fi router are located away from appliances that produce electromagnetic radiation (e.g. microwave ovens, refrigerators, etc.)
 - If you are using a VPN, try turning it off and then connecting the humidifier.
 - Disable portal authentication for your Wi-Fi network. If portal authentication is enabled, this humidifier will not be able to access your Wi-Fi network and setup will fail. Portal authentication means that you need to sign in to your Wi-Fi network through a web page before you can use the Internet.

2. Cannot find the device on Bluetooth Device Nearby page of the app.
 - The humidifier may be connected with another smartphone. Disconnect it from the other smartphone first.
3. The humidifier is offline.
 - Make sure the humidifier is plugged in and powered on, then refresh “My Devices” in Govee Home App by swiping down on the screen.
 - Make sure your router is connected to the internet and your smartphone’s network connection is working.
 - If the Wi-Fi password has been changed, the humidifier will automatically go offline. Try connecting it to the network again.
 - Delete the offline humidifier from Govee Home App, then add and reconfigure the humidifier again in the app.

Appendix

After-Sales Service

-  Warranty: 12-Month Limited Warranty
-  Support: Lifetime Technical Support
-  Email: support@govee.com
-  Official Website: www.govee.com
-  @Govee  @govee_official  @govee.official
-  @Goveeofficial  @Govee.smarthome

Specifications

Power Supply	100-240V AC 50/60Hz
Rated Power	19W
Water Tank Capacity	0.6Gal/2.2L
Mist Output	Max Cool Mist: 220ml/h
Noise Level	≤27dB
Humidifier Dimensions	6.8 x 6.8 x11.8 in / 17.3 x 17.3 x 30.1 cm
Humidifier Weight	2.49lb/1.13kg

FCC and ISED Canada Statement

This device complies with Part 15 of the FCC Rules and Industry Canada licence-exempt RSS standard(s). Operation is subject to the following two conditions:

(1) This device may not cause harmful interference, and (2) This device must accept any interference received, including interference that may cause undesired operation.

Warning: Changes or modifications not expressly approved by the party responsible for compliance could void the user's authority to operate the equipment.

Le présent appareil est conforme aux CNR d'Industrie Canada applicables aux appareils radio exempts de licence. Le brouillage est susceptible d'en compromettre le fonctionnement.

L'exploitation est autorisée aux deux conditions suivantes :

(1) L'appareil ne doit pas produire de brouillage, et

(2) L'utilisateur de l'appareil doit accepter tout brouillage radioélectrique subi, même si le

NOTE: This equipment has been tested and found to comply with the limits for a Class B digital device, pursuant to Part 15 of the FCC Rules.

These limits are designed to provide reasonable protection against harmful interference in a residential installation. This equipment generates uses and can radiate radio frequency energy and, if not installed and used in accordance with the instructions, may cause harmful interference to radio communications. However, there is no guarantee that interference will not occur in a particular installation. If this equipment does cause harmful interference to radio or television reception, which can be determined by turning the equipment off and on, the user is encouraged to try to correct the interference by one or more of the following measures:

1. Reorient or relocate the receiving antenna.
2. Increase the separation between the equipment and receiver.
3. Connect the equipment into an outlet on a circuit different from that to which the receiver is connected.
4. Consult the dealer or an experienced radio/TV technician for help.

FCC and IC Radiation Exposure Statement

This equipment complies with FCC and IC radiation exposure limits set forth for an uncontrolled environment. This equipment should be installed and operated with minimum distance 20cm between the radiator & your body.

Lors de l'utilisation du produit, maintenez une distance de 20 cm du corps afin de vous conformer aux exigences en matière d'exposition RF.

This Class B digital apparatus complies with Canadian ICES-001.

Cet appareil numérique de la classe B est conforme à la norme NMB-001 du Canada.

Responsible party (this contact information is only for FCC matters) :

Name: GOVEE MOMENTS(US) TRADING LIMITED

Address: 2501 Chatham Rd Suite R Springfield IL 62704

Email: support@govee.com

Contact information: <https://www.govee.com/support>



FOR INDOOR USE ONLY
NUR FÜR DEN INNENGEBRAUCH

The Bluetooth® word mark and logos are registered trademarks owned by Bluetooth SIG, Inc. and any use of such marks by Shenzhen Qianyan Technology LTD is under license.

The trademark GoveeLife has been authorised to Shenzhen Qianyan Technology LTD.
Copyright ©2021 Shenzhen Qianyan Technology LTD. All Rights Reserved.



Govee Home App

For FAQs and more information,
please visit: www.govee.com