

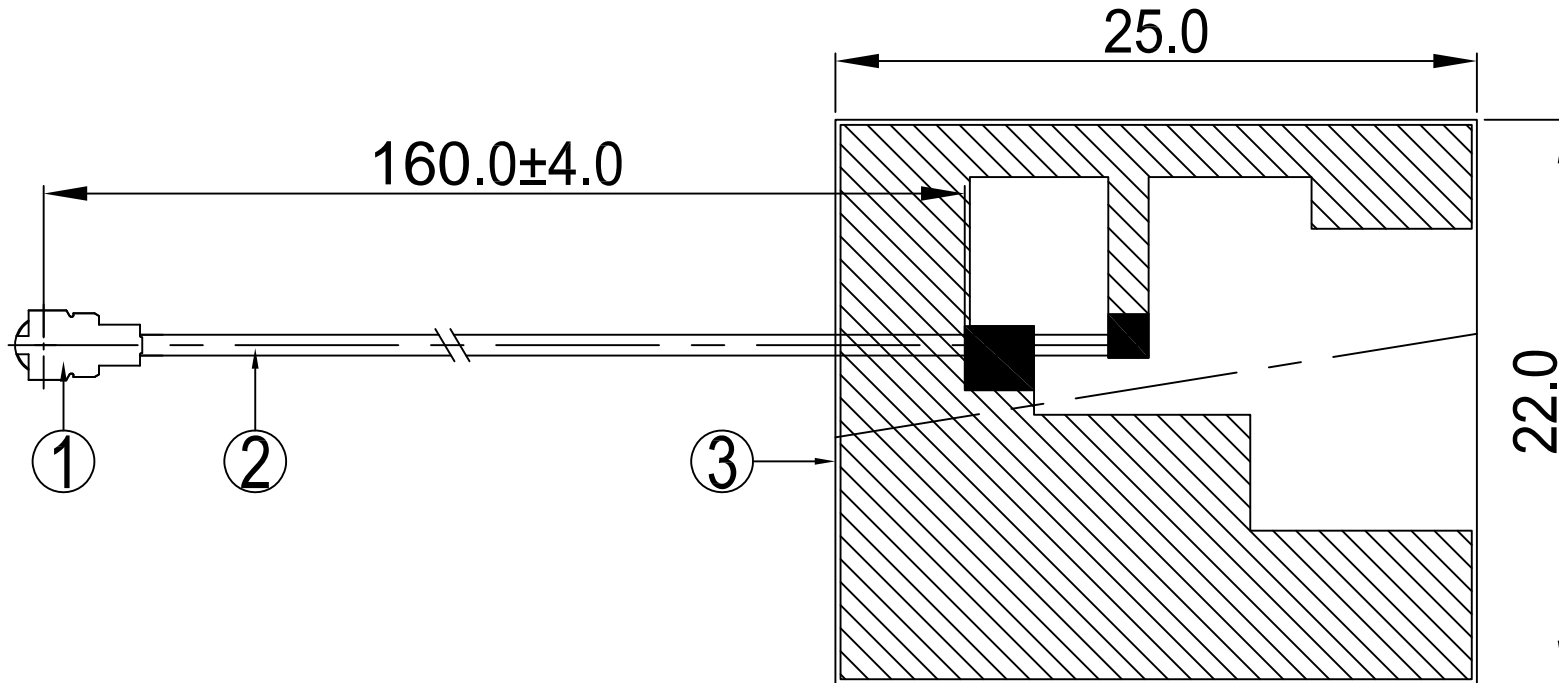
Specificaton Item

NO.	Contents	Number of Page	Page Code
1	Spec Cover	1	1
2	Spec Item	1	2
3	Drawing	1	3
4	Antenna Specification	1	4
5	S Parameter	1	5
6	Passive Test	1	6
7	Radiation Pattern	1	7
8	Active Test	1	8
9	Antenna Profile	1	9
10	N/A	N/A	N/A
11	-	-	-
12	-	-	-
13	-	-	-

RoHS
Compatible

CUSTOMER	
PART NO	

REV.	DESCRIPTION	DATE
△	First release	2021-10-12
△	Modify cable length	2021-11-22




ShengZhen LianSheng Technology Co.,Ltd. Tel:0755-82885545
 Add:Room 609, Qiuri Building,Minkang road,Minzhi Street,Longhua District, Shenzhen

PART NAME: 2.4G Antenna L=160mm MHF
PART NO.: LSF.A1116.B113.01 **DATE: 2021-11-22**

APPROVED BY	CHECKED BY	DESIGNED BY	 Tolerance X.X ±0.50 X.XX±0.15 X° ±3°
Chen Guoqiang	Lin Bin	Chen Jun	
UNITS: mm SCALE: 1/1 REVISION: B			

3	FPC	25.0*22.0MM	FPC	FPC10XXXA.P01	1
2	Coaxial Cable	O.D.1.13 Black	O.D.1.13	COA10XXXA.P01	1
1	Mini Connector	Au Plated Generation 1	Cu	TER10XXXA.P01	1
NO	PART NAME	DESCRIPTION	Material	Part Number	Q.TY

Antenna Specification

Electrical Properties

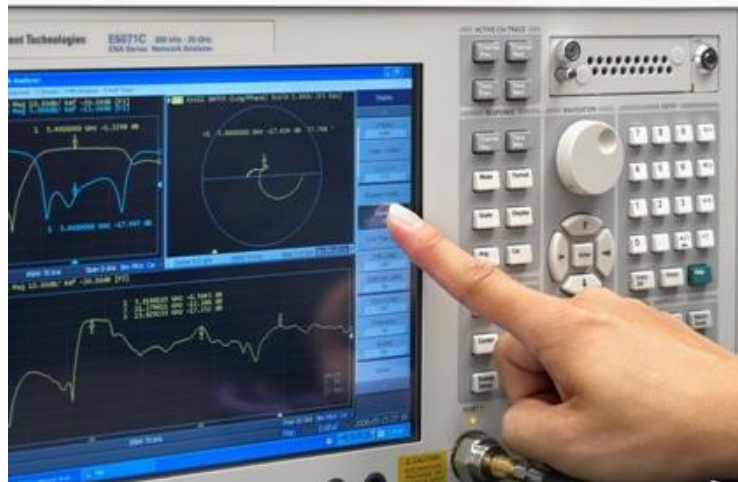
Frequency	2.4-2.5GHz
Impedance	50 Ohm Nominal
V.S.W.R	2.0 Max
Gain	3.4dBi
Radiation	Omni-directional
Polarization	Linear

Physical Properties

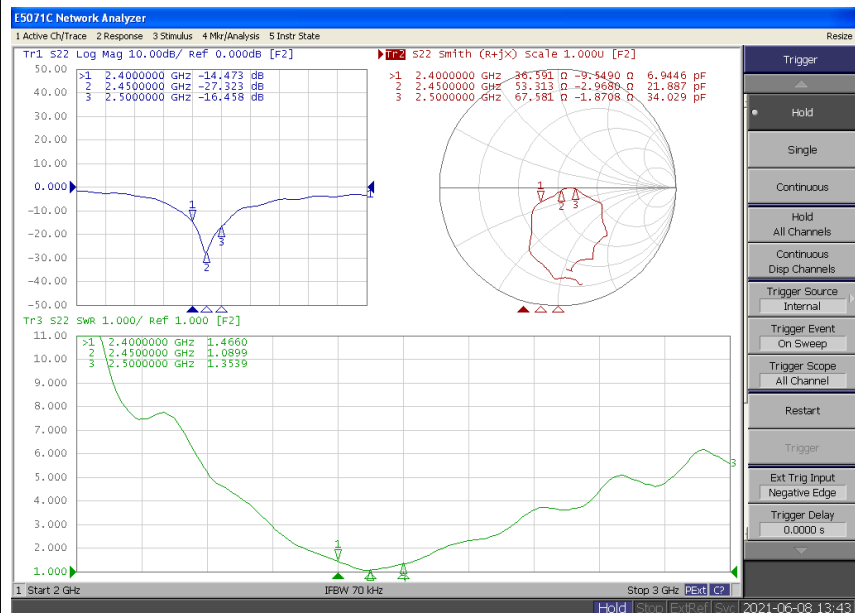
Connector	Generation 1 IPEX
Cable Type	O.D.1.13mm
Cable Length	160mm
Cable Color	Black
Operating Temp.	-40 ~ +85 °C
Storage Temp / Humidity	25±5°C / <70%

Antenna Performance Test

**Agilent
E5071B**



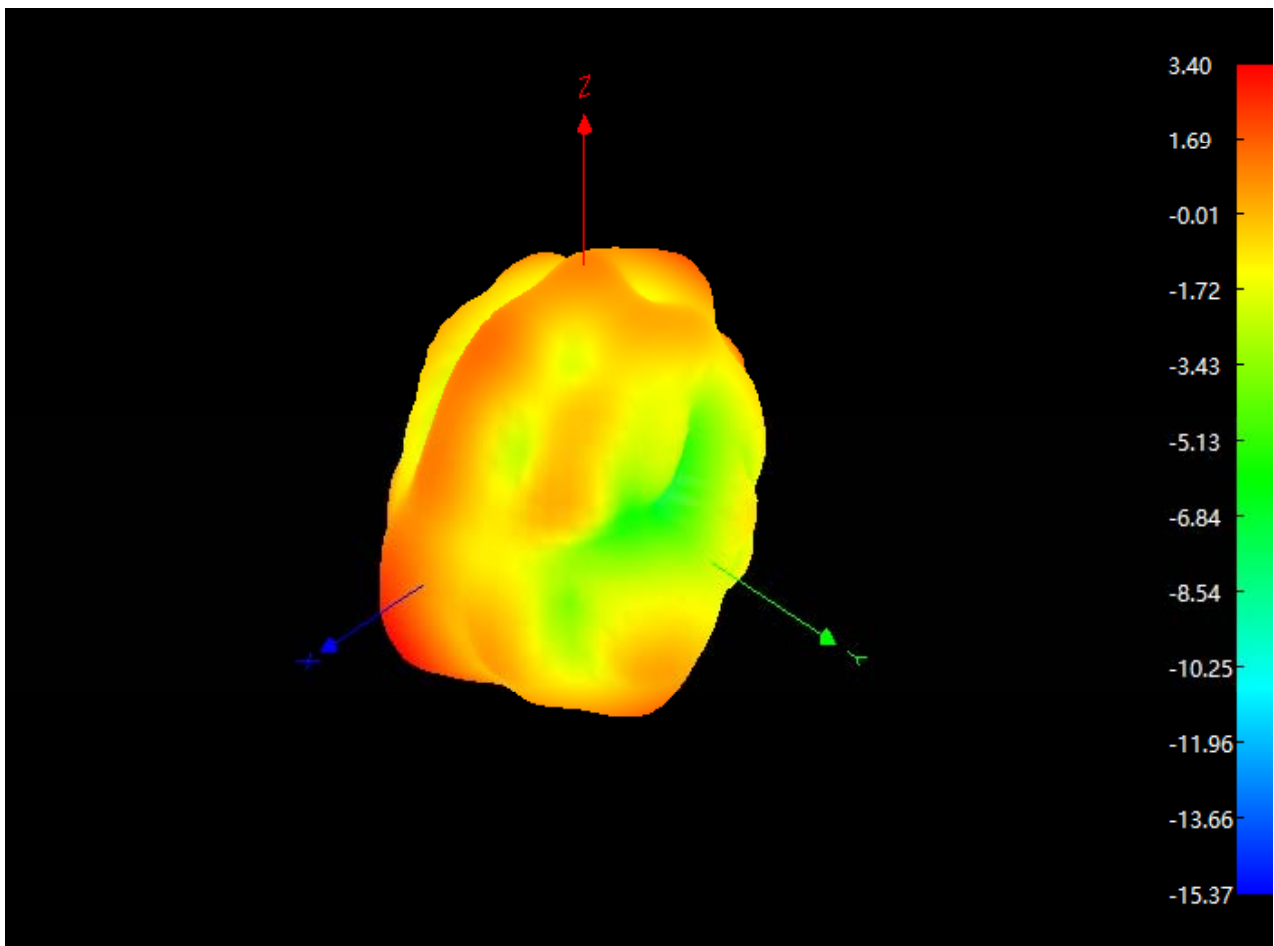
**S
Parameter
Test //
2.4G
Antenna**



Antenna Passive Test

Passive Test For 2.4G Antenna			
Freq (MHz)	Effi (%)	Effi (dB)	Gain (dBi)
2400	54.9	-2.6	2.3
2410	54.9	-2.6	2.4
2420	55.1	-2.6	2.6
2430	57.6	-2.4	2.7
2440	57.8	-2.4	2.7
2450	58.2	-2.4	3.4
2460	54.2	-2.7	3.2
2470	53.9	-2.7	3.0
2480	53.8	-2.7	2.8
2490	53.6	-2.7	2.7
2500	53.5	-2.7	2.6

Radiation Pattern For 2.4G Antenna(2450MHz)



Antenna Active Test

Active Test For 2.4G Antenna							
Band	Channel	Data Rate	TRP	EIRP	Data Rate	TIS	EIS
WIFI 2.4G 802.11b	1	11Mbps	12.8	15.7	11Mbps	-85.8	-88.7
	6		13.8	16.8		-85.7	-88.6
	11		13.9	16.9		-85.3	-88.2

2.4G
Antenna

