

H7145 英法说明书

版本:1.0

成型尺寸:145×210 (mm)

材质:80G书页纸

工艺:单色印刷

折叠方式:骑马订

页数:44页



## User Manual

Smart Humidifier 2 (6L)

**English**

**01**

**Français**

**20**

## Contents

<b>Safety Instructions</b>	<b>02</b>
General Safety	
Adapter and Power Cord	
<b>Included in the Box</b>	<b>03</b>
<b>Introduction</b>	<b>03</b>
Part Names	
Functions & Controls	
Indicator Status	
<b>Getting Started</b>	<b>08</b>
<b>Filling &amp; Refilling</b>	<b>08</b>
<b>Essential Oils (Optional)</b>	<b>10</b>
<b>Govee Home App</b>	<b>11</b>
Downloading Govee Home App	
Pairing with Govee Home App	
<b>Care &amp; Maintenance</b>	<b>12</b>
Cleaning Your Humidifier	
Descaling Your Smart Humidifier	
Cleaning the Aroma Pad	
Replacing the Aroma Pad	
Storing	
<b>Troubleshooting</b>	<b>16</b>
For Humidifier	
For App & Connectivity	
<b>Appendix</b>	<b>19</b>
After-Sales Service	
Specifications	
Compliance Information	

# GoveeLife Smart Humidifier 2 (6L) User Manual

## READ AND SAVE THESE INSTRUCTIONS

### Safety Instructions

#### General Safety

- Only use the humidifier as described in this manual, and keep it out of reach from children.
- To reduce the risk of fire, electric shock, or other injuries, always follow all instructions and safety guidelines.
- Place the humidifier and cord so that it will not be knocked over. Do not place near large pieces of furniture or in high-traffic areas.
- Do not attempt to disassemble the humidifier or its components.
- To avoid the risk of electric shock, always unplug the humidifier from power before cleaning it or detaching the water tank from the base.
- Always place the humidifier on a flat, horizontal surface before using.
- Do not place the humidifier near heat sources such as stovetops, ovens, or radiators.
- Do not place the humidifier directly on carpets or rugs.
- Do not use non-GoveeLife humidifier parts as replacement parts for this product.
- Do not cover the nozzle while the humidifier is on, as this may damage the humidifier.
- Remove the water tank from the base before moving the humidifier.
- Do not immerse the humidifier base, power cord or plug in water.
- Not for commercial use. Household use only.
- Do not use the humidifier in wet environments. Do not allow water or other liquids inside the air vent.
- If the humidifier will not be in use for an extended period, it should be turned off and unplugged from power.
- Do not use detergents to clean the humidifier. Only use distilled white vinegar.
- If the humidifier is damaged or is not functioning properly, stop using it and contact Customer Support immediately.

#### Adapter and Power Cord

- Place the humidifier near the electrical outlet it is plugged into.
- Never place the cord near any heat sources.
- Do not cover the cord with a rug, carpet, or other covering. Do not place the cord under furniture or appliances.

- Keep the cord out of areas where people frequently move around. Place the cord in places where it will not be tripped over.
- Only use original supplied power adapter.
- If the power adapter cord is damaged, it must be replaced by qualified persons in order to avoid an electric or fire hazard.
- Do not handle the power cord or plug with wet hands. Keep the power cord and plug away from liquids.

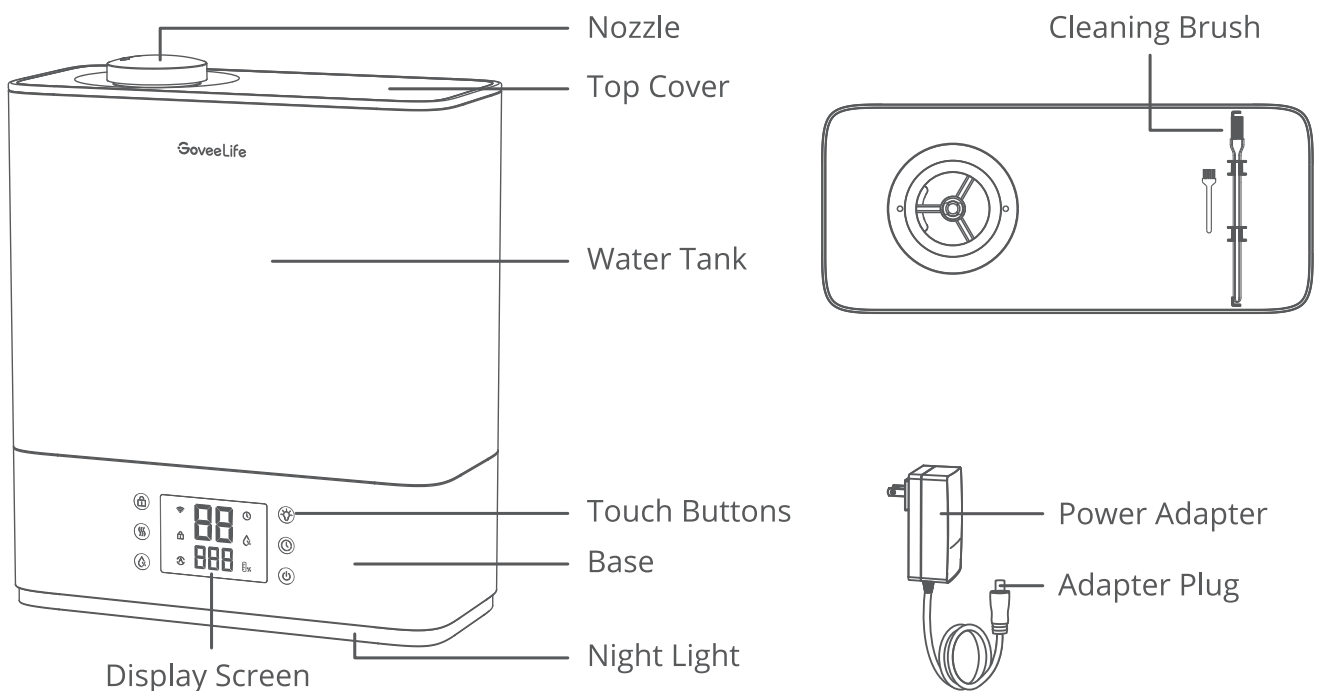
**Caution**  
Only add essential oils to the aroma pad.

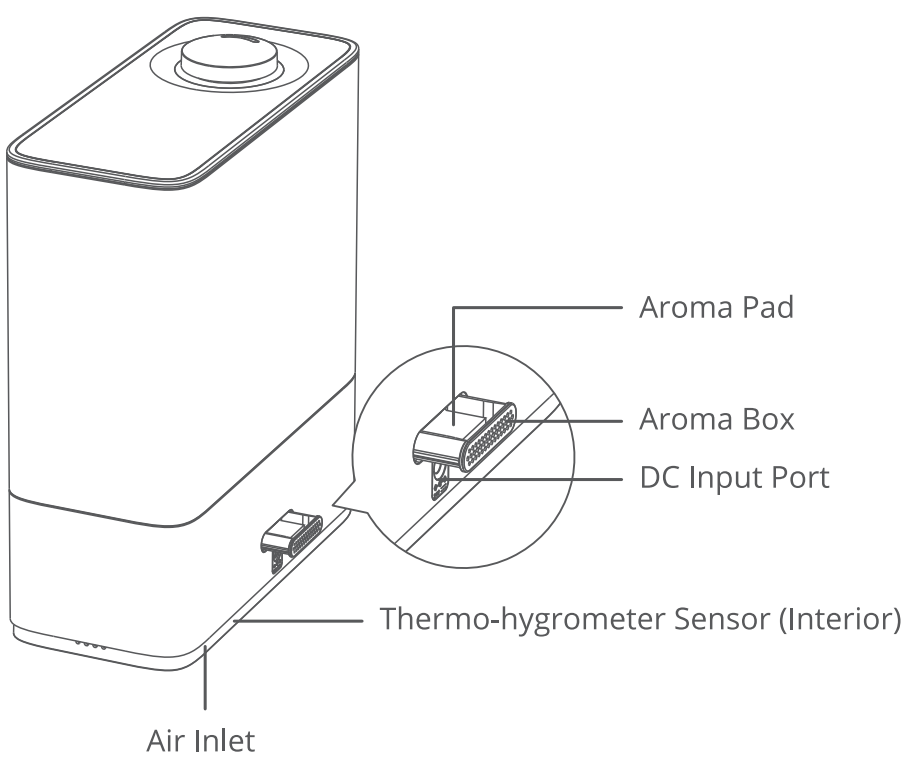
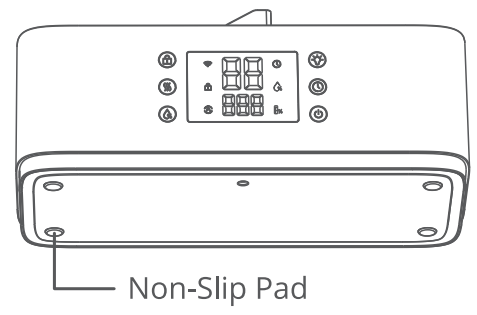
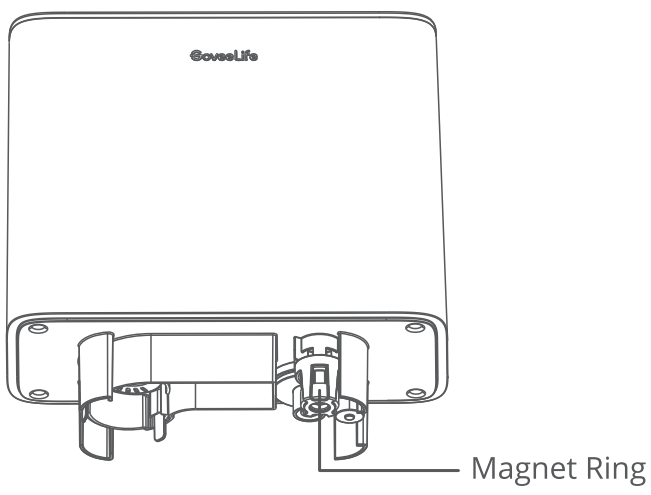
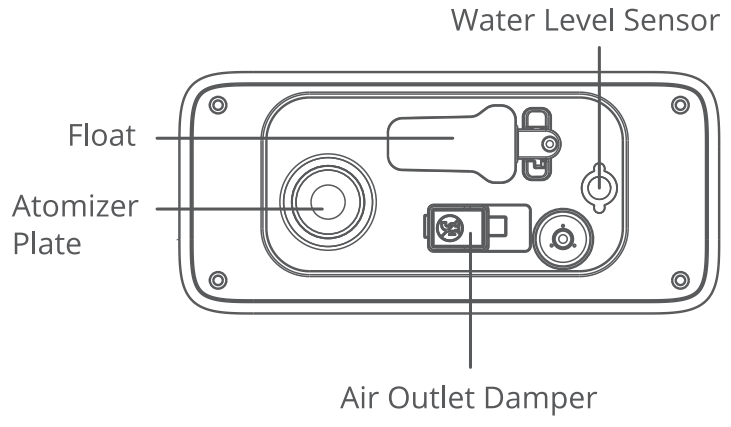
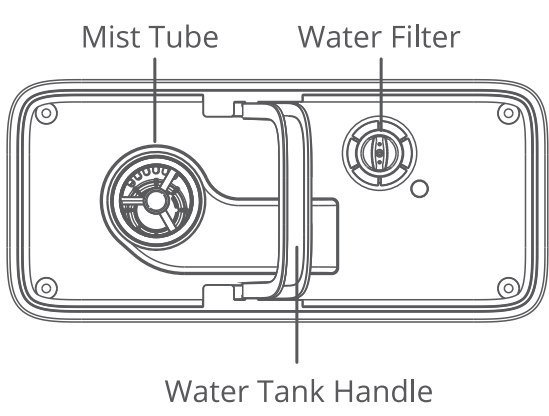
## Included in the Box

Item	Quantity
Humidifier	1
Cleaning Brush	1 (Included)
Aroma Pad	1 (Included) 2 (Extra)
Quick Start Guide	1
User Manual	1

## Introduction

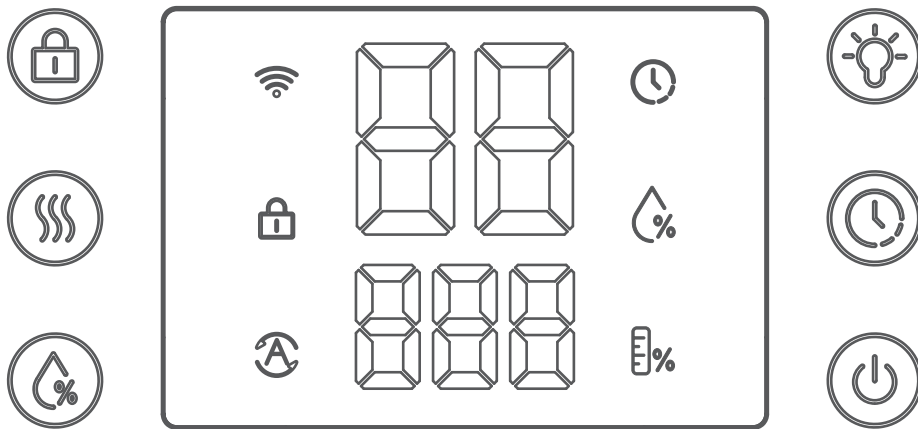
### Part Names





## Functions & Controls

You can access additional features using Govee Home App.



### On/Off Button

Touch to turn on/off.

#### Note:

- When the humidifier is powered off, its fan will continue spinning for 15 seconds to clear away any internal mist to avoid water vapor accumulation that may affect the life of the humidifier.
- Follow the in-app instructions to press the power button when pairing with the app.



### Mist Level Button

Touch repeatedly to cycle through Low, Medium and High mist levels and Auto Mode.

Auto Mode: In this mode, the humidifier will automatically adjust the mist output so that the ambient humidity can stay close to the target value.

#### Note:

- More Auto Mode settings can be accessed in the app.
- It is recommended to use the humidifier together with Govee or GoveeLife thermo-hygrometer to bring you a better experience of constant humidity.





### Timer Button

Set the timer: Touch repeatedly to cycle through 1-24H. The humidifier will automatically power off once the countdown of the timer ends.

Check the timer: Touch the button, and the screen will display the countdown of the timer (round up to the nearest integer). Check in the app for more details of the time.

Turn off the timer: Press the button for two seconds to turn off the timer.



### Target Humidity Button

Touch to cycle through target humidity of 30~80%. Add humidity by 5% with each touch. The ambient humidity will be maintained close to the target value in Auto Mode.

- When adjusting the target humidity, the humidifier will enter the Auto Mode automatically.
- In Auto Mode, the margin of error of 1%-3% might exist due to the ambient changes.



### Night Light Button

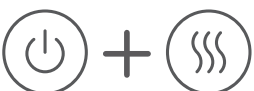
Touch to turn the night light on/off.

**Note:** More night light settings can be accessed in the app.



### Lock Button

Touch and hold for 3 seconds to turn the Lock on/off. When the Lock is on, the button does not respond to any touch, preventing children from accidentally changing any settings.



### Recovery Button












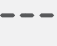


Touch and hold these two buttons simultaneously for 5 seconds until all indicators flash once to restore the humidifier to factory settings if it cannot function well. Then the humidifier will disconnect from Wi-Fi and Bluetooth and automatically reboot.

**Note:** After restoring the humidifier to factory settings, go to "My Devices" page in the app to delete this humidifier first, otherwise it cannot be added to the app again.

## Memory Function

The humidifier will save its previous settings when powered off (such as mist level, mode, and Wi-Fi connection). When it is powered back on, the settings will resume.

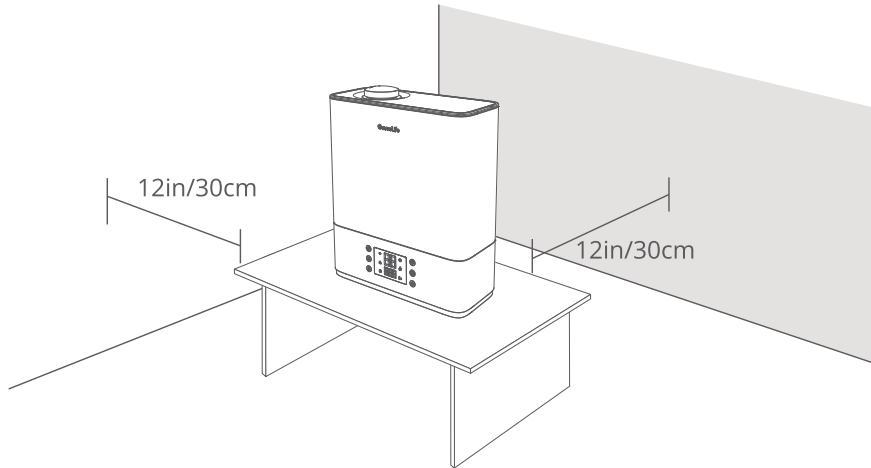
## Indicator Status

Indicator	Working Status	Light Status
	Lock is On	Solid White
	Timer is On	Solid White
	Auto Mode is On	Solid White
	Ready for Wi-Fi Connection	Slowly Flashes White
	Wi-Fi is Connecting	Quickly Flashes White
	Wi-Fi is Connected	Solid White
Upper Screen 		
	Humidity	Solid White
	Low	When selecting this level or turning on the humidifier, it will remain solid for 5s.
	Medium	
	High	
	Auto Mode	
Lower Screen 		
	Water Tank Pulled Out/Running Out of Water	Solid Red
	Current Water Amount in the Tank	Solid White
	Water in the Tank is Less Than 10%	Solid Yellow
	Water Amount Detection is Initializing	White Loading Display
	Too Much Water in the Tank (surpasses the Max water line)	Keeps Flashing White

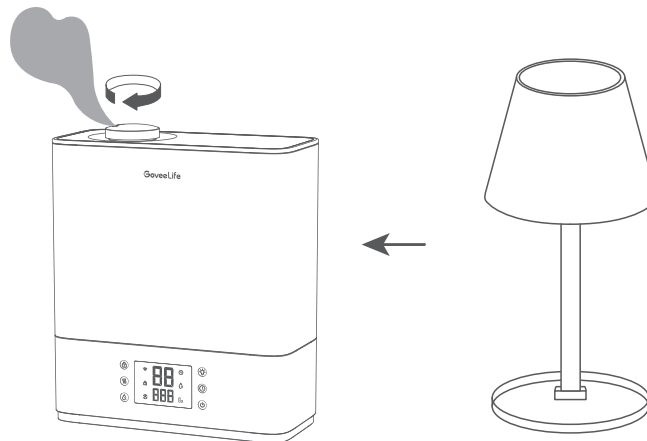
- Note:**
1. Find solutions for feature exceptions in the Troubleshooting section.
  2. The water percentage only reflects the water level in the water tank. When the display shows the water percentage is 0%, the humidifier will continue to produce mist for a certain amount of time because there is still water in the base.

## Getting Started

1. Remove all packaging, clear tape, and protective foams (**especially the foam of the base**).
2. Clean the water tank before using the humidifier for the first time.
3. Place the humidifier on a hard, flat, and water-resistant surface and at least 12 inches (30cm) away from any walls.



4. Direct the mist away from walls, furniture, bedding, other appliances, and electronics.



## Filling & Refilling

**Note:** Please change the water at least once every two days to avoid breeding bacteria.

1. Hold the nozzle and remove the top cover.



2. Fill the tank with room-temperature water, **not** warm or hot water.

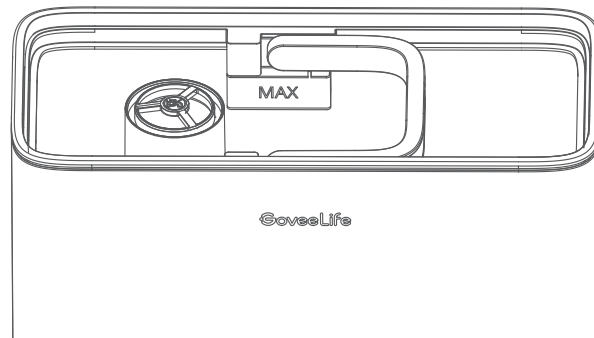
**Note:** It is recommended to fill the tank with purified or distilled water instead of tap water that may result in white dust (dried minerals) on surfaces.



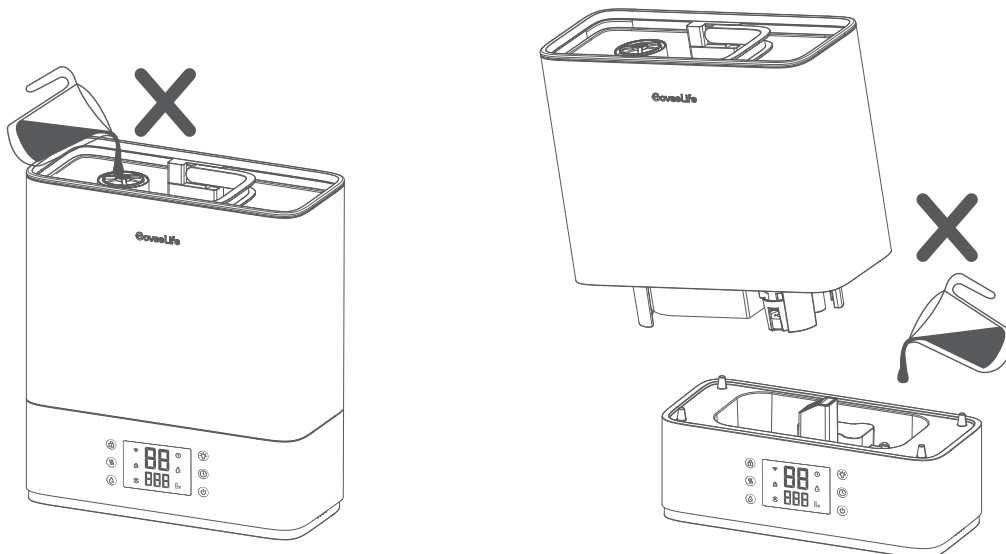
3. Replace the water tank cover.

### Caution

**Do not** fill past the tank's Max water line.



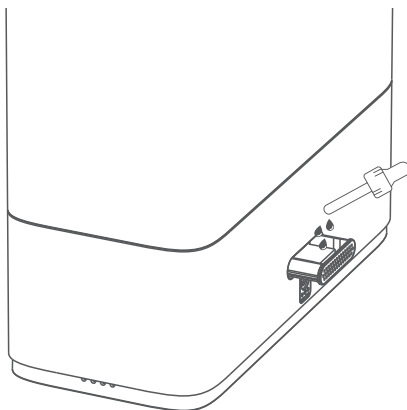
**Do not** fill water into the mist tube or base.



## Essential Oils (Optional)

1. Press to pop out the aroma box from the back of the base.
2. Add 8 to 10 drops of essential oils on the aroma pad.

**Note:** Be careful not to spill essential oils out of the aroma box to avoid contaminating the inside of the product.



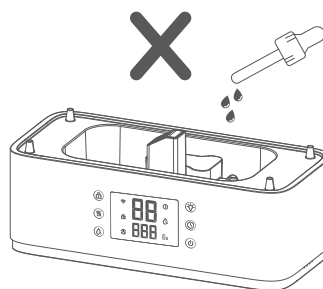
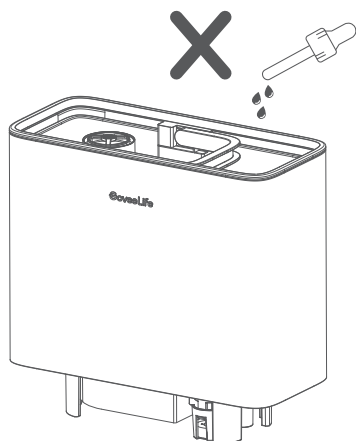
3. Push the aroma box back into the humidifier.

**Note:** For better aromatherapy, always clean the aroma pad before adding new essential oils.

**Do not** mix essential oils.

### Caution

**Do not** add essential oils to the water tank or base. Only add essential oils to the aroma box.



# Govee Home App

You can access more features using Govee Home App.

## Downloading Govee Home App

To download Govee Home App, scan the QR code or search for "Govee" in the Apple App Store® (iOS) or Google Play Store (Android).



Govee Home App



### Note:

- Choose "Allow" to the permissions requested when opening Govee Home App for the first time. These permissions allow the app's features to function normally and are not used to record personal, private information.
- Due to ongoing updates, Govee Home App may be slightly different than shown in this manual. In case of any differences, always follow the in-app instructions.

## Pairing with Govee Home App

1. Turn on your smartphone's Bluetooth. Connect to your Wi-Fi router's 2.4GHz network. 5GHz is not supported.
2. Android users turn on Location Services; IOS users choose Location ->Always On in the pop-up window while adding devices.

### Note:

- For IOS users, if you chose Location->Never, it might result in notifications/alert exceptions. It is recommended to follow Settings ->Govee Home ->Location ->Always On to obtain the best experience.
  - Govee Home WILL NOT collect, use, or share your location in any way.
3. Open Govee Home App, tap the "+" icon in the top right corner and search for "H7145".
  4. Tap the device icon and follow the in-app instructions to complete the Bluetooth and Wi-Fi connection.

### Note:

- Method to turn off Bluetooth and Wi-Fi connection: Press and hold the Power Button and Mist Level Button for 5s to restore the device to factory settings, then go to "My Devices" page on the app to delete this humidifier first, otherwise it cannot be added to the app again.
- You can use Govee Home App to connect your humidifier to Amazon Alexa or Google Assistant. Follow the in-app instructions to connect to each voice assistant.
- Govee Home App is being continually updated and its features do expand.

## Care & Maintenance

### Note:

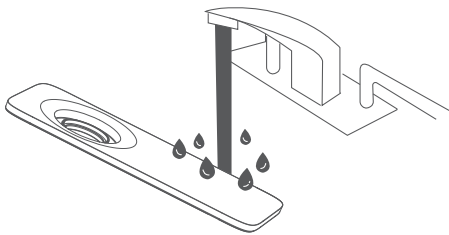
- All maintenance should be done on a water-resistant surface, such as a kitchen counter.
- Use a tissue or cloth to clean the nozzle regularly.
- If not using the humidifier for 1 week or longer, **do not** leave water inside. Clean and dry the humidifier instead.

## Cleaning Your Humidifier

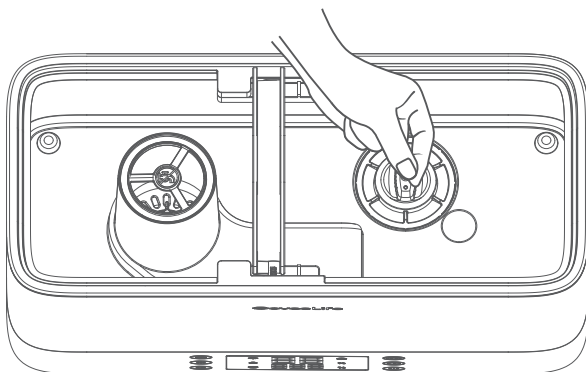
It is recommended to clean the water tank and base every 2-3 days and when you're ready to store it.

### Note:

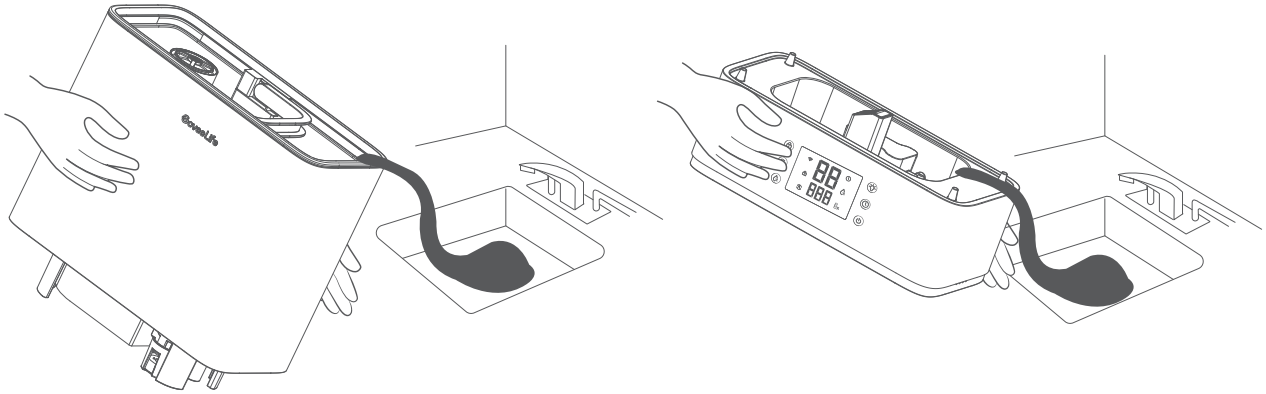
- **Never** immerse the base in water or other liquids.
  - **Do not** use detergents to clean the humidifier.
1. Unplug the power before cleaning.
  2. Hold the nozzle to remove the top cover for cleaning.



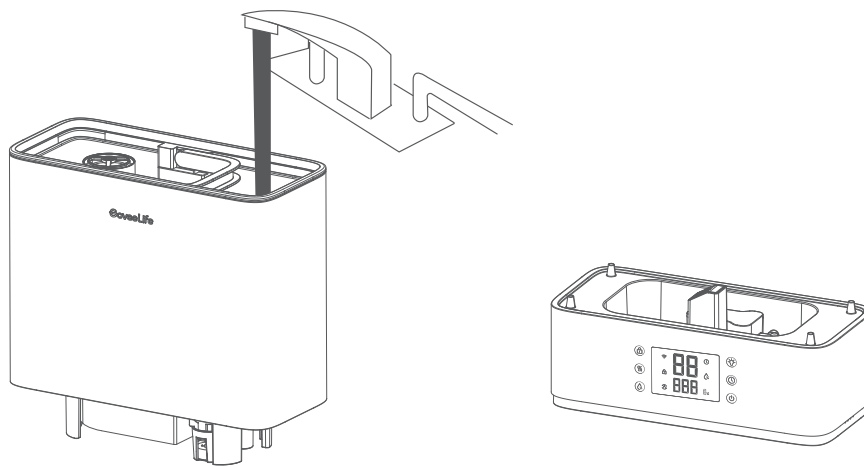
3. Grab the handle of the water filter and unplug it upright.



4. Take out the water tank and pour away the water left inside. Pour away the water inside the base.



5. Rinse the tank and the base chamber with room temperature water.

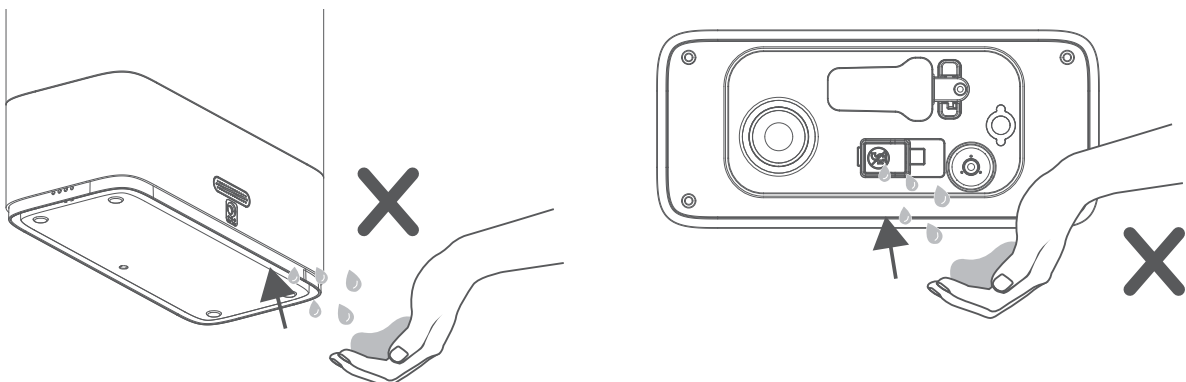


6. Dry all parts with a cloth. Make sure every part is in place before use or storing.

**Note:** Make sure the water filter and the float are already in place before use. Otherwise, it might cause malfunction.

### Caution

Do not let water enter the air inlet or outlet as this may damage internal components. If water does enter the inlet or outlet by accident, place the base in a ventilated place to dry it before using.

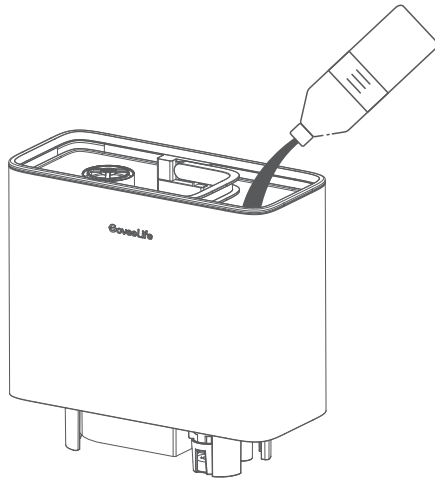




## Descaling Your Smart Humidifier

To descale the humidifier (remove mineral buildup):

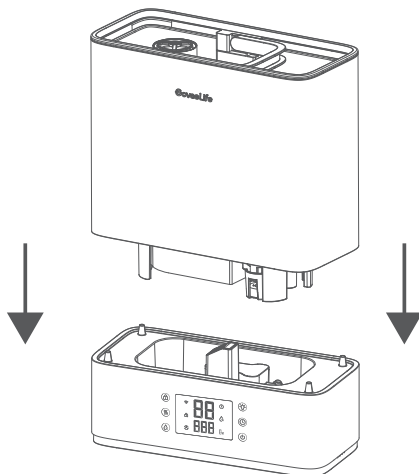
1. Fill the tank with 3 cups/710 ml of distilled white vinegar (or a proper amount of citric acid).



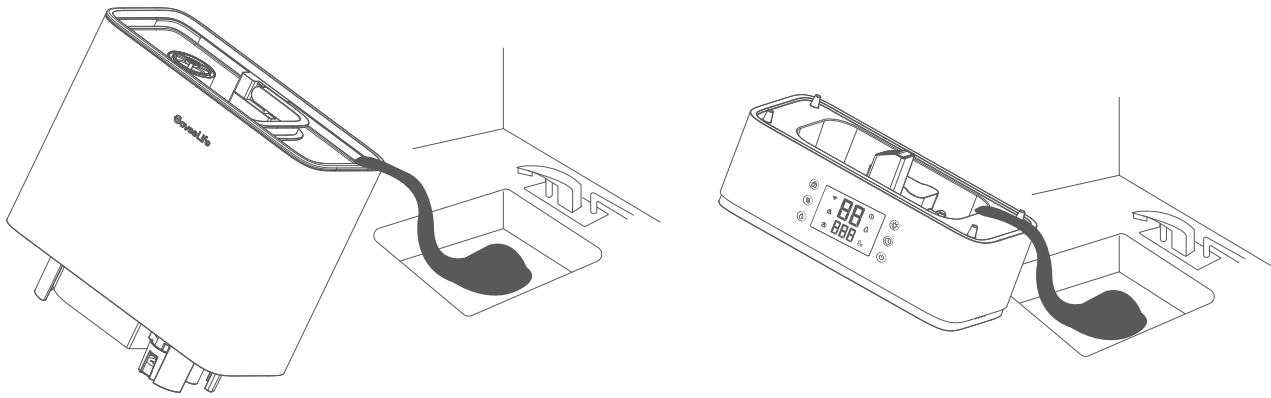
2. Put the tank cover on and shake the vinegar in the tank.



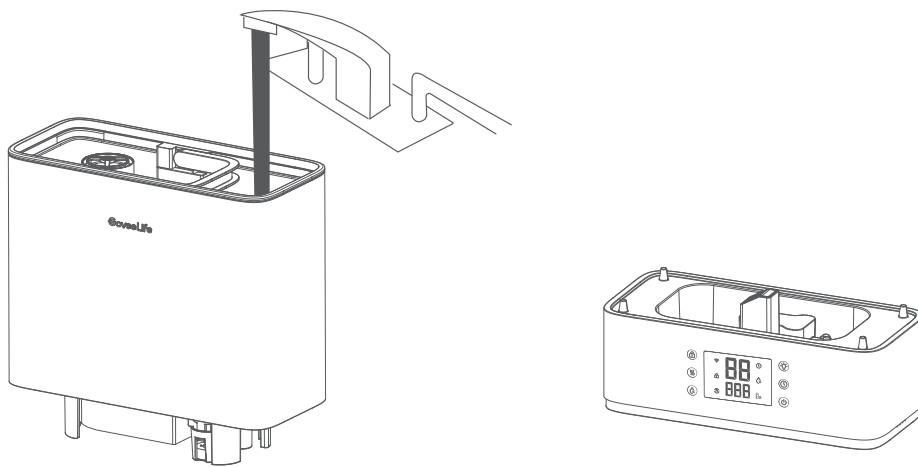
3. Place the tank on the base and let it sit for 15-20 minutes until the vinegar loosens the scale deposits.



4. Remove the tank and its cover, and pour all the vinegar out.



5. Use a soft cloth and the included cleaning brush to remove scale from all parts.



6. Rinse all parts until the vinegar smell is completely gone.

7. Dry all parts with a cloth completely before reassembling or storing the humidifier.

## Cleaning the Aroma Pad

1. Pull out the aroma box and remove the aroma pad.
2. Rinse the pads under warm running water.
3. Dry the pads with a clean cloth and place the pad back.

## Replacing the Aroma Pad

If the aroma pad is stiff even after cleaning, then it needs to be replaced. Extra pads are included with the humidifier.

To maintain the performance of your humidifier, only use official GoveeLife aroma pads. For more information, contact Customer Support.

## Storing

Follow the cleaning instructions and dry all parts completely before storing the humidifier in a cool, dry place.

## Troubleshooting

The troubleshooting section below is for solving frequently asked questions for the humidifier unit. If your problem persists, please contact Customer Support.

## For Humidifier

Problem	Possible Solution
Humidifier does not power on/off normally.	Plug the humidifier into a working outlet and turn it on.
	Add purified or distilled water to the water tank.
Little or no mist comes out.	Clean the atomizer plate to avoid white dust from accumulating on it.
	Fill up the water tank.
	Choose a higher mist level.
	There may be too much water in the base chamber. Empty the base chamber, refill the water tank (not the base chamber), and place the water tank properly onto the base.
	Clean the humidifier. Make sure the nozzle is not blocked or clogged.

<b>Problem</b>	<b>Possible Solution</b>
Little or no mist comes out.	Make sure the humidifier is on a level surface.
	If the water tank or base was washed with detergent, rinse thoroughly with clean water to remove any detergent.
	There might be water leaks in the base. Put the base in a ventilated place to dry, and try again later.
Humidifier produces an unusual smell.	If there is any essential oil in the aroma pad, use clean water to rinse the pad and dry it. If the pad still smells, replace with a new aroma pad.
	If the humidifier is new, unplug and rinse all parts, then place in a cool, dry place for 12 hours.
Humidifier makes a loud or an unusual noise.	Make sure the water tank is properly in place.
	Empty the base chamber. Refill the water tank (not the base chamber) and place the water tank properly onto the base.
	The humidifier may be malfunctioning. Stop using the humidifier and contact Customer Support.
White dust appears around the humidifier.	It is recommended to use purified or distilled water to fill the humidifier. Avoid using water with high mineral content, such as tap water.
	Clean the humidifier.
Mist leaks from the base.	Make sure the water tank is placed properly.
	Check whether the protective foam of the float has been removed. If not, remove it.
Water leaks from the humidifier.	Do not shake the humidifier.
	Make sure to place the humidifier on a flat, level surface.
	Clean the float in the base chamber. Unscrew the water filter and check whether the water valve is clogged. If so, remove the foreign object and clean it.
	Check the water tank and base for leaks. If there are leaks, contact Customer Support.
Mold grows inside the humidifier.	Clean the water tank and base chamber regularly.
Essential oil has little or no smell.	Add more essential oil. For the best result, use pure essential oil.

Problem	Possible Solution
Displays error code "E0"	Please contact Customer Support.
The humidity display is not accurate.	Moisture may have built up inside the humidity sensor. Turn off the humidifier, remove the aroma box, and allow the sensor to air dry.
	If the humidifier is placed within 12 inches / 30 cm of a wall or in a corner, the humidity sensor cannot provide a proper reading for the relative humidity in the room.
	The humidity sensor will give an improper reading if it is exposed to dust. Avoid using the humidifier in dusty rooms. Avoid using tap water in the humidifier as this can increase dust in the air.
The upper part of the LED screen displays "--" and keeps flashing.	Thermo-hygrometer sensor (Interior) exception. Please contact Customer Support or use the humidifier after binding with Govee or GoveeLife Thermo-hygrometer.
The humidity level isn't changing in my room.	Choose a higher mist level.
	Depending on your environment, the humidifier may take longer to humidify your air.
	The room may be larger than the humidifier's effective range. If the room is larger than 388ft <sup>2</sup> /36m <sup>2</sup> , the humidifier will not be as effective.

## For App & Connectivity

- Cannot connect to Govee Home App.
  - Make sure your smartphone is powered on and is not connected with other Bluetooth devices.
  - Enable the smartphone's Location Services.
  - Try connecting with another smartphone.
  - Make sure your app is updated to the latest version.
  - Make sure you connect to your Wi-Fi router's 2.4GHz network and that the network is working correctly.
  - Make sure the Wi-Fi password you entered is correct.
  - Shorten the distance between the humidifier, Wi-Fi router, and the smartphone.
  - Make sure your humidifier and the Wi-Fi router are located away from appliances that produce electromagnetic radiation (e.g. microwave ovens, refrigerators, etc.)
  - If you are using a VPN, try turning it off and then connecting the humidifier.
  - Disable portal authentication for your Wi-Fi network. If portal authentication is enabled, this humidifier will not be able to access your Wi-Fi network and setup will fail. Portal authentication means that you need to sign in to your Wi-Fi network through a web page before you can use the Internet.

2. Cannot find the device on Bluetooth Device Nearby page of the app.
  - The humidifier may be connected with another smartphone. Disconnect it from the other smartphone first.
3. The humidifier is offline.
  - Make sure the humidifier is plugged in and powered on, then refresh “My Devices” in Govee Home App by swiping down on the screen.
  - Make sure your router is connected to the internet and your smartphone’s network connection is working.
  - If the Wi-Fi password has been changed, the humidifier will automatically go offline. Try connecting it to the network again.
  - Delete the offline humidifier from Govee Home App, then add and reconfigure the humidifier again in the app.

## Appendix

### After-Sales Service

 Warranty: 12-Month Limited Warranty

 Support: Lifetime Technical Support

 Email: support@govee.com

 Official Website: www.govee.com

 @Govee  @govee\_official  @govee.official

 @Goveeofficial  @Govee.smarthome

### Specifications

Power Supply	DC 24V 1.5A
Rated Power	27W
Water Tank Capacity	1.6Gal/6L
Mist Output	Max Cool Mist: 350ml/h
Effective Range	388ft <sup>2</sup> /36m <sup>2</sup> <b>Note:</b> • Effective for larger rooms, but humidification will take longer.
Noise Level	Lowest: <26 dB (low mist output) Highest: <28 dB (high mist output)
Humidifier Dimensions	11.4 x 5.12 x 13.5 in / 29 x 13 x 34.4 cm
Humidifier Weight	4.32 lbs / 1.96 kg

## Contenus

<b>Consignes de sécurité</b>	<b>21</b>
Sécurité générale	
Adaptateur et cordon d'alimentation	
<b>Contenu de la boîte</b>	<b>22</b>
<b>Introduction</b>	<b>22</b>
Noms des pièces	
Fonctions et commandes	
État du voyant	
<b>Démarrer</b>	<b>27</b>
<b>Remplissage et re-remplissage</b>	<b>27</b>
<b>Huiles essentielles (en option)</b>	<b>29</b>
<b>Application Govee Home</b>	<b>30</b>
Téléchargement de l'Application Govee Home	
Association à l'Application Govee Home	
<b>Entretien et maintenance</b>	<b>31</b>
Nettoyage de votre humidificateur	
Détartrage de votre humidificateur intelligent	
Nettoyage du tampon aromatique	
Remplacement du tampon aromatique	
Rangement	
<b>Dépannage</b>	<b>35</b>
Pour l'humidificateur	
Pour l'application et la connectivité	
<b>Annexe</b>	<b>38</b>
Service après-vente	
Caractéristiques	
Informations relatives à la conformité	

# Humidificateur Intelligent GoveeLife 2 (6 l) Manuel d'utilisation

## LIRE ET SAUVEGARDER CES INSTRUCTIONS

### Consignes de sécurité

#### Sécurité générale

- N'utilisez l'humidificateur que de la manière décrite dans ce manuel et gardez-le hors de portée des enfants.
- Pour réduire le risque d'incendie, de choc électrique ou d'autres blessures, suivez toujours toutes les instructions et les directives de sécurité.
- Placez l'humidificateur et le cordon de manière à ce qu'ils ne soient pas renversés. Ne le placez pas près de gros meubles ou dans des endroits très fréquentés.
- N'essayez pas de démonter l'humidificateur ou ses composants.
- Pour éviter tout risque de choc électrique, débranchez toujours l'humidificateur avant de le nettoyer ou de détacher le réservoir d'eau de la base.
- Placez toujours l'humidificateur sur une surface plane et horizontale avant de l'utiliser.
- Ne placez pas l'humidificateur à proximité de sources de chaleur telles que des plaques de cuisson, des fours ou des radiateurs.
- Ne placez pas l'humidificateur directement sur des tapis ou des moquettes.
- N'utilisez pas de pièces d'humidificateur non GoveeLife comme pièces de rechange pour ce produit.
- Ne couvrez pas la buse lorsque l'humidificateur est en marche, car cela pourrait endommager l'humidificateur.
- Retirez le réservoir d'eau de la base avant de déplacer l'humidificateur.
- Ne plongez pas la base de l'humidificateur, le cordon d'alimentation ou la fiche dans l'eau.
- Ne pas utiliser à des fins commerciales. Usage domestique uniquement.
- N'utilisez pas l'humidificateur dans des environnements humides. Ne laissez pas d'eau ou d'autres liquides pénétrer dans l'orifice d'aération.
- Si l'humidificateur n'est pas utilisé pendant une période prolongée, il est recommandé de l'éteindre et le débrancher.
- N'utilisez pas de détergents pour nettoyer l'humidificateur. N'utilisez que du vinaigre blanc distillé.
- Si l'humidificateur est endommagé ou ne fonctionne pas correctement, cessez de l'utiliser et contactez immédiatement le service client.

#### Adaptateur et cordon d'alimentation

- Placez l'humidificateur près de la prise électrique à laquelle il est branché.
- Ne placez jamais le cordon à proximité d'une source de chaleur.
- Ne recouvrez pas le cordon d'un tapis, d'une moquette ou d'un autre revêtement. Ne placez pas le cordon sous des meubles ou des appareils électroménagers.



- Ne placez pas le cordon dans des endroits où les gens se déplacent fréquemment. Placez le cordon dans des endroits où il ne risque pas de faire trébucher.
- Utilisez uniquement l'adaptateur secteur fourni d'origine.
- Si le cordon de l'adaptateur secteur est endommagé, il doit être remplacé par des personnes qualifiées afin d'éviter tout risque de panne électrique ou d'incendie.
- Ne manipulez pas le cordon d'alimentation ou la fiche avec des mains mouillées. Conservez le cordon d'alimentation et la fiche à l'écart des liquides.

### Mise en garde

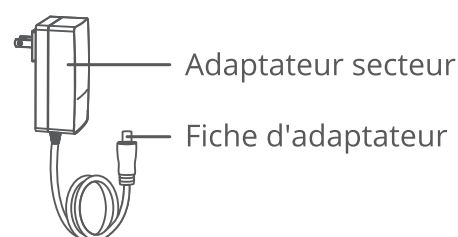
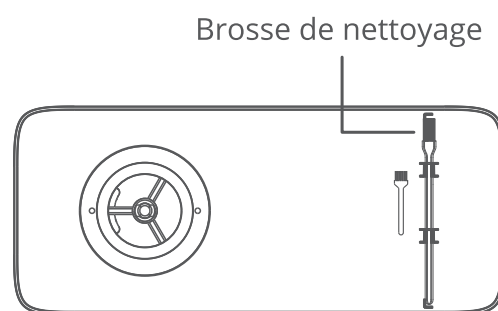
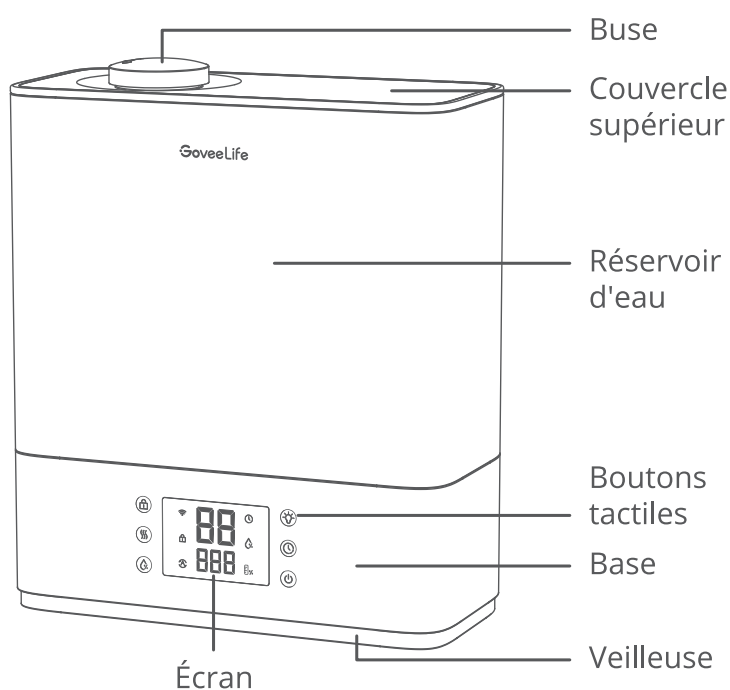
N'ajoutez que des huiles essentielles au tampon aromatique.

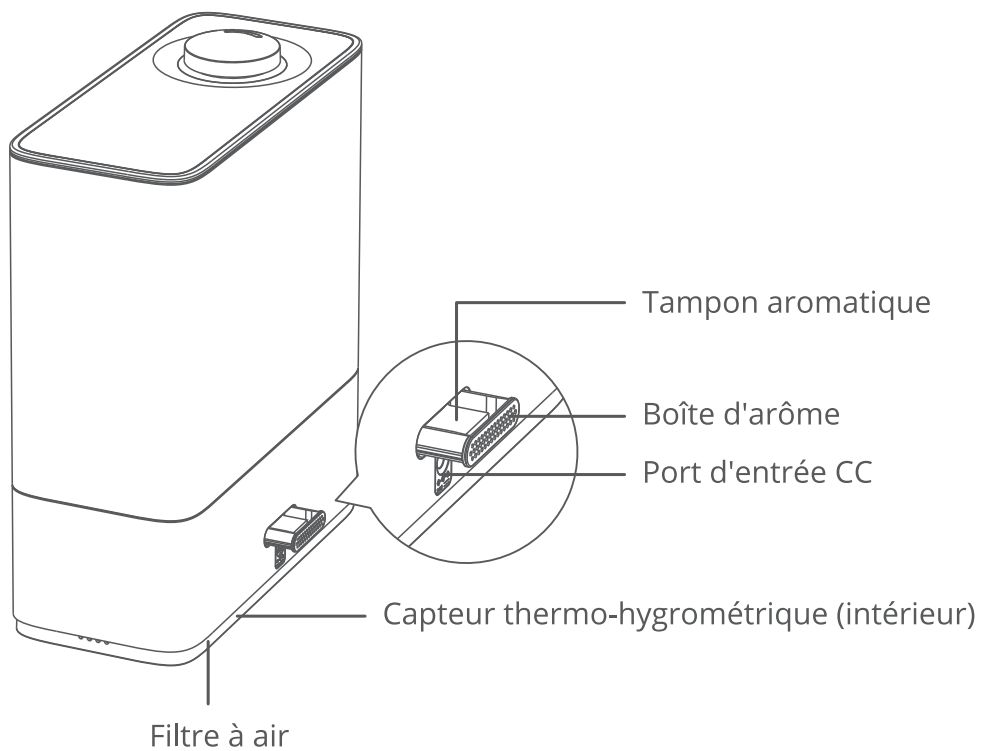
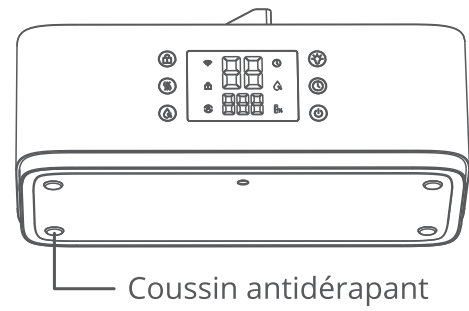
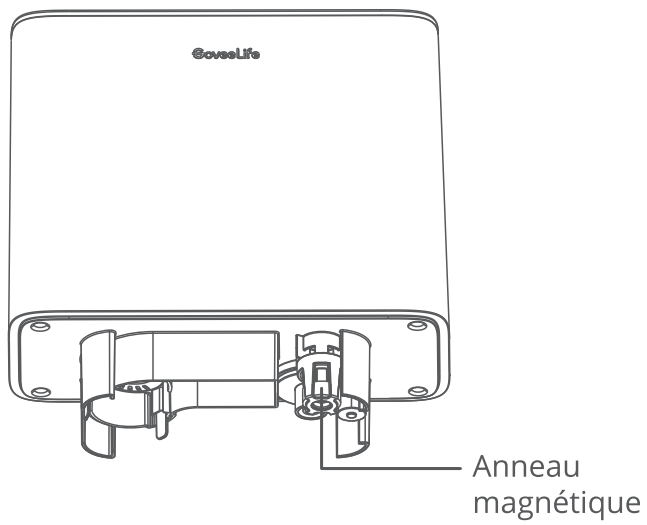
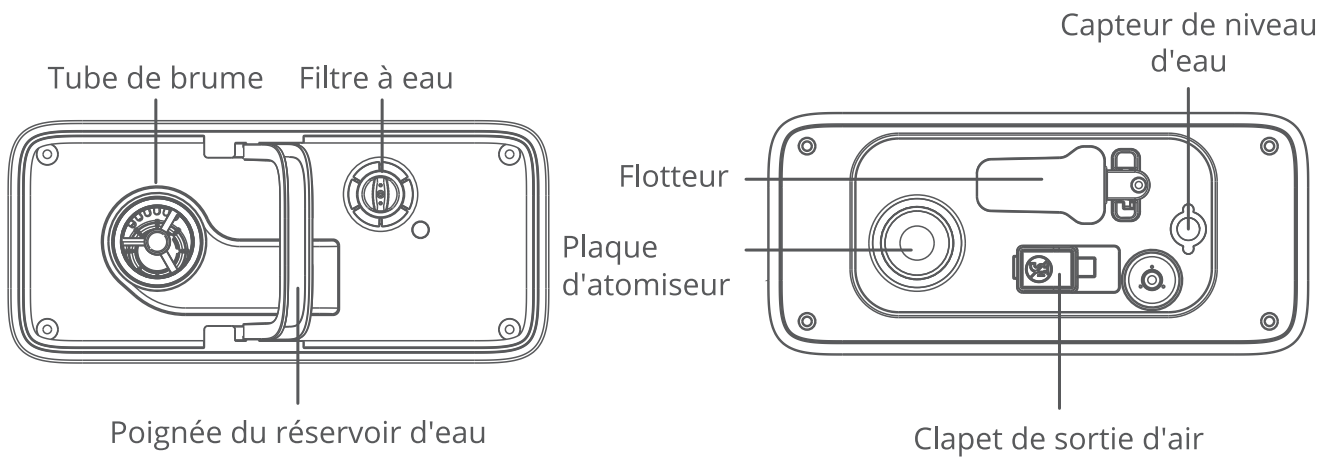
## Contenu de la boîte

Article	Quantité
Humidificateur	1
Brosse de nettoyage	1 (inclus)
Tampon aromatique	1 (inclus) 2 (supplémentaire)
Guide de démarrage rapide	1
Manuel d'utilisation	1

## Introduction

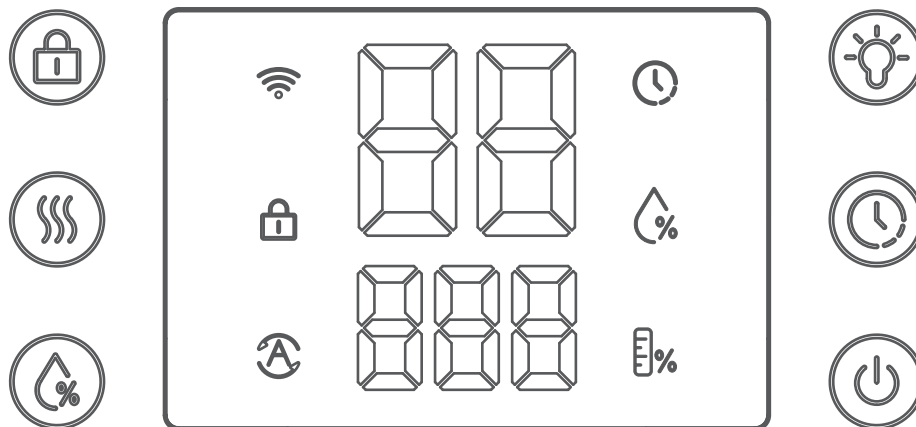
### Noms des pièces





## Fonctions et commandes

Vous pouvez accéder à d'autres fonctionnalités sur l'application Govee Home.



### Bouton marche/arrêt

Touchez pour allumer/éteindre.

#### Remarque :

- Lorsque l'humidificateur est éteint, son ventilateur continue de tourner pendant 15 secondes pour évacuer la brume interne et éviter l'accumulation de vapeur d'eau qui pourrait affecter la durée de vie de l'humidificateur.
- Suivez les instructions de l'application pour appuyer sur le bouton marche/arrêt lors du couplage avec l'application.



### Bouton de niveau de brume

Appuyez plusieurs fois sur cette touche pour faire défiler les niveaux de brume faible, moyen et élevé et le mode Auto.

Mode Auto : Dans ce mode, l'humidificateur ajuste automatiquement le débit de vapeur pour que l'humidité ambiante reste proche de la valeur cible.

#### Remarque :

- D'autres paramètres du mode Auto sont accessibles dans l'application.
- Il est recommandé d'utiliser l'humidificateur avec le thermo-hygromètre Govee ou GoveeLife afin d'obtenir une meilleure expérience de l'humidité constante.



### Bouton de minuterie

Réglez la minuterie : Touchez à plusieurs reprises pour faire défiler 1 à 24 H. L'humidificateur s'éteint automatiquement à la fin du compte à rebours du minuteur.

Vérifier la minuterie : Touchez le bouton et l'écran affichera le compte à rebours de la minuterie (arrondir à l'entier le plus proche). Consultez l'application pour plus de détails sur l'heure.

Éteindre la minuterie : Appuyez sur le bouton pendant deux secondes pour éteindre la minuterie.



### Bouton d'humidité cible

Touchez pour faire défiler l'humidité cible de 30~80 %. Ajoutez de l'humidité de 5 % à chaque touche. L'humidité ambiante sera maintenue proche de la valeur cible en mode Auto.

- Lors du réglage de l'humidité cible, l'humidificateur passe automatiquement en mode Auto.
- En mode automatique, une marge d'erreur de 1 % à 3 % peut exister en raison des changements ambiants.



### Bouton veilleuse

Touchez pour allumer/éteindre l'éclairage de nuit.

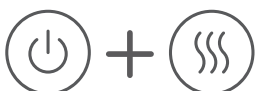
**Remarque :** D'autres réglages de la veilleuse sont accessibles dans l'application.



### Bouton de verrouillage

Maintenez le doigt appuyé pendant 3 secondes pour activer ou désactiver le verrouillage.

Lorsque le verrouillage est activé, le bouton ne répond à aucune pression, ce qui empêche les enfants de modifier accidentellement les paramètres.



### Bouton de reprise















Touchez et maintenez ces deux boutons simultanément pendant 5 secondes jusqu'à ce que tous les indicateurs clignotent une fois pour restaurer les paramètres d'usine de l'humidificateur s'il ne peut pas fonctionner correctement. Ensuite, l'humidificateur se déconnecte du Wi-Fi et du Bluetooth et redémarre automatiquement.

**Remarque :** Après avoir restauré l'humidificateur aux paramètres d'usine, accédez à la page « Mes appareils » de l'application pour supprimer d'abord cet humidificateur, sinon il ne pourra plus être ajouté à l'application.

## Fonction mémoire

L'humidificateur conserve ses paramètres précédents lorsqu'il est mis hors tension (tels que le niveau de brume, le mode et la connexion Wi-Fi). Lorsqu'il est remis sous tension, les paramètres reprennent.

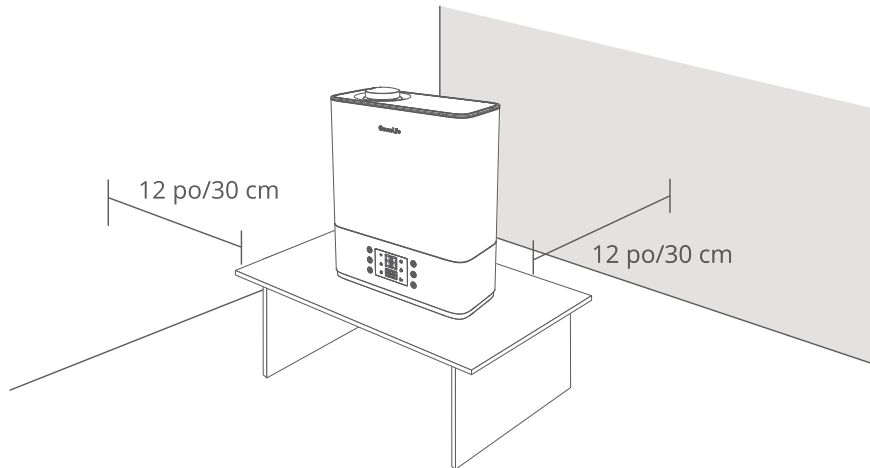
## État du voyant

Voyant	État de fonctionnement	État de la lumière
	Le verrouillage est activé	Blanc uniforme
	La minuterie est activée	Blanc uniforme
	Le Mode Auto est activé	Blanc uniforme
	Prêt pour une connexion Wi-Fi	Clignotement lent en blanc
	Connexion Wi-Fi en cours	Clignotement rapide de blanc
	Le Wi-Fi connecté	Blanc uniforme
Écran supérieur 		
	Humidité	Blanc uniforme
	Faible	Lorsque vous sélectionnez ce niveau ou mettez l'humidificateur en marche, le voyant reste allumé pendant 5 secondes.
	Moyen	
	Élevé	
	Mode automatique	
Écran inférieur 		
	Réservoir d'eau arraché/manque d'eau	Rouge uniforme
	Quantité d'eau actuelle dans le réservoir	Blanc uniforme
	La quantité d'eau dans le réservoir est inférieure à 10 %	Jaune solide
	Le système de détection de la quantité d'eau est en cours d'initialisation	Affichage du chargement blanc
	Trop d'eau dans le réservoir (dépassé la ligne Max)	Continue de clignoter en blanc

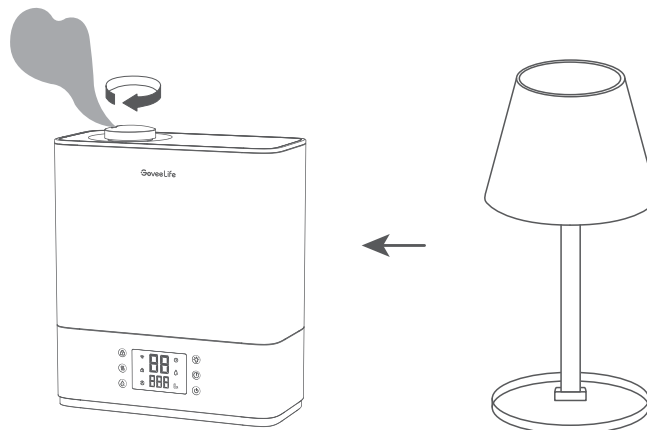
- Remarque :**
1. Vous trouverez des solutions pour les exceptions aux fonctionnalités dans la section Dépannage.
  2. Le pourcentage d'eau reflète uniquement le niveau d'eau dans le réservoir. Lorsque l'écran affiche un pourcentage d'eau de 0 %, l'humidificateur continue à produire de la brume pendant un temps certain car il reste de l'eau dans la base.

## Démarrer

1. Retirez tous les emballages, le ruban adhésif transparent et les mousses de protection (**en particulier la mousse de la base**).
2. Nettoyez le réservoir d'eau avant d'utiliser l'humidificateur pour la première fois.
3. Placez l'humidificateur sur une surface dure, plate et résistante à l'eau, à une distance d'au moins 12 pouces (30 cm) de tout mur.



4. Dirigez la brume loin des murs, des meubles, de la literie, des autres appareils et de l'électronique.



## Remplissage et re-remplissage

**Remarque :** Veuillez changer l'eau au moins une fois tous les deux jours pour éviter la prolifération des bactéries.

1. Tenez la buse et retirez le couvercle supérieur.



2. Remplissez le réservoir d'eau à température ambiante, et **non** d'eau tiède ou chaude.

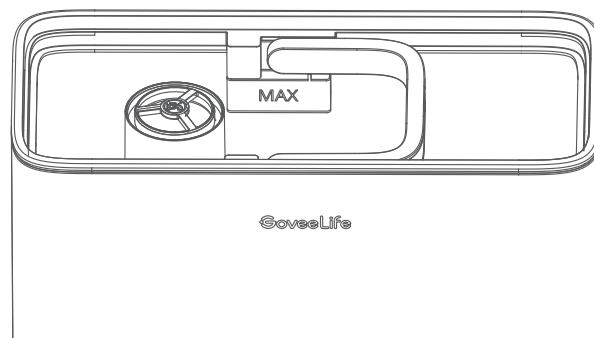
**Remarque :** Il est recommandé de remplir le réservoir avec de l'eau purifiée ou distillée au lieu de l'eau du robinet, qui peut entraîner la formation de poussière blanche (minéraux séchés) sur les surfaces.



3. Remplacez le couvercle du réservoir d'eau

### Mise en garde

**Ne remplissez pas** au-delà de la ligne d'eau maximale du réservoir.



**Ne remplissez pas** d'eau le tube de brumisation ou la base.

